

IBS Flow Control Penstocks



- › Vast Product Range
- › Standard Solutions
- › Use In New and Existing Structures
- › Competitive Series Production
- › Extensive Experience



Our Products

Penstock Technique

Penstock Types

- > IBS-RPS Penstock
- > IBS-RPS Channel Penstock
- > IBS-RPS Weir Penstock

Our Experience – Your Advantage

- > Qualified
- > Knowledgeable
- > Reliable
- > Flexible
- > International

Quality Standards

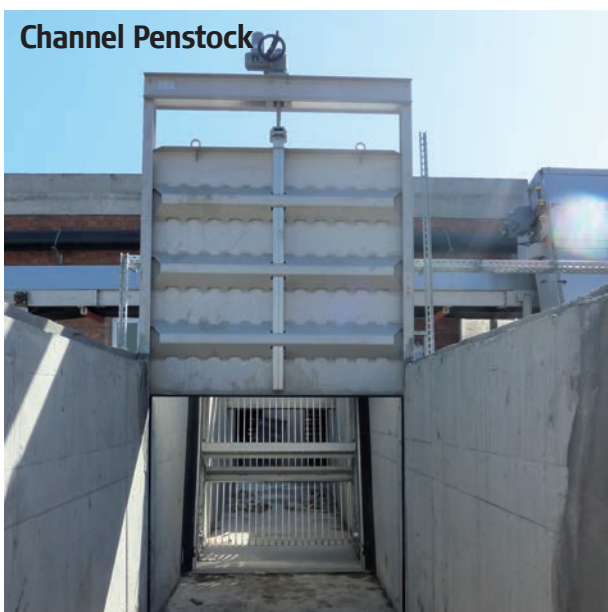
- > DIN
- > BSI
- > AWWA
- > EN 1090 Certification
- > Welder Certification

Sizes

- > Widths: from 200 mm to 3000 mm
- > Heights: from 200 mm to 4000 mm
- > Water Heads: from 0.2 to 2.5 bar

Area of Application

- > Waste Water Treatment Plants
- > Industrial Effluent Plants
- > Canals / Waterways
- > Flood Defence
- > Retention Tanks
- > Pumping Stations
- > Hydro Power Plants
- > Drinking Water Plants
- > Sea Water Intakes



Channel Penstock



Materials

Materials

- › Stainless Steel Grade SS304
- › Stainless Steel Grade SS316
- › Seals EPDM (Waste Water Resistant)
- › Seals Elastosil (KTW / WRAS Approved)
- › Further Materials available upon Request

Operations

Manual

- › Cap Top with T-Key
- › Handwheel
- › Gearbox

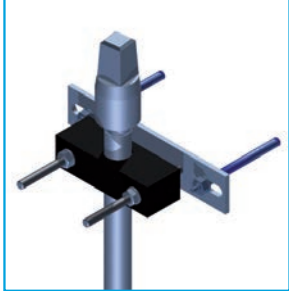
Electric Actuated

- › Electric Actuator without Control
- › Electric Actuator with Gearbox
- › Electric Actuator with Control

Cylinder Pistons

- › Pneumatic Actuator
- › Hydraulic Actuator

Cap Top with T-Key



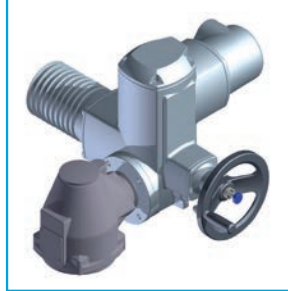
Handwheel



Gearbox



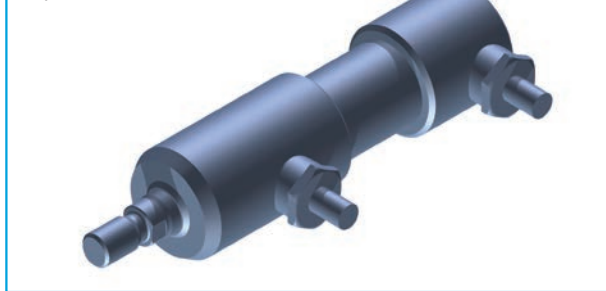
Electric Actuator

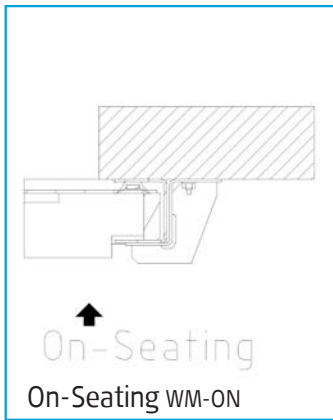


Pneumatic Actuator

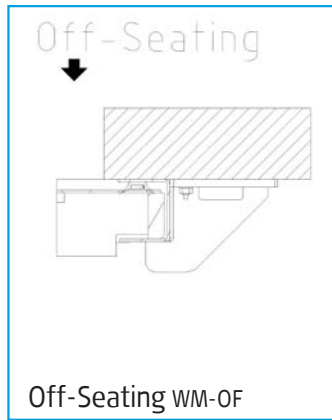


Hydraulic Actuator





On-Seating WM-ON



Off-Seating WM-OF

Mounting Types

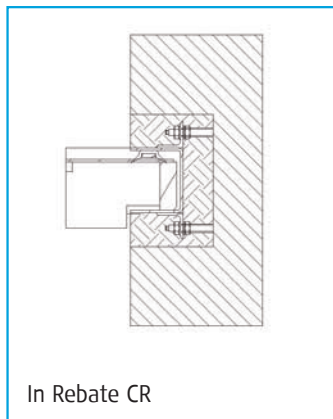
Side Frame Mounting Types

Wall Mounted

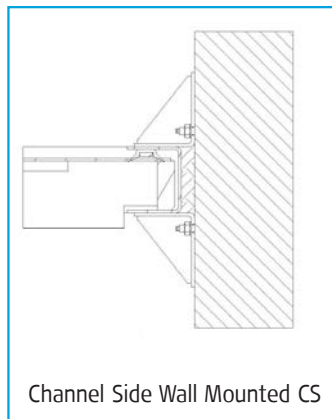
- › On-Seating (WM-ON)
- › Off-Seating (WM-OF)

Channel Mounted

- › In Rebate (CR)
- › Channel Side Wall Mounted (CS)



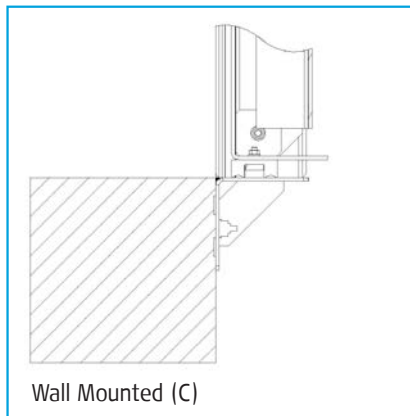
In Rebate CR



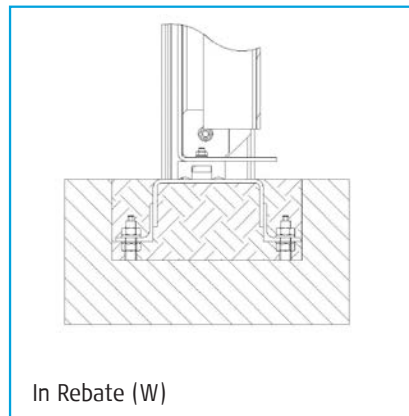
Channel Side Wall Mounted CS

Invert Frame Mounting Types

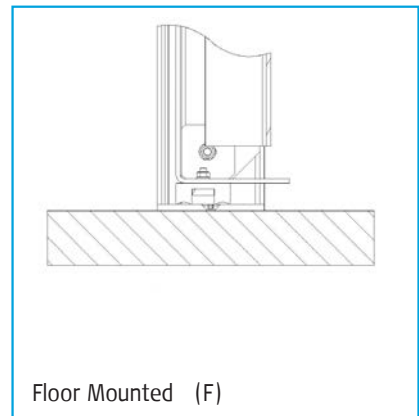
- › In Rebate
- › Wall Mounted
- › Floor Mounted



Wall Mounted (C)



In Rebate (W)



Floor Mounted (F)



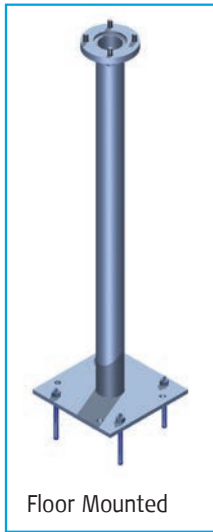
Accessories

Pedestals

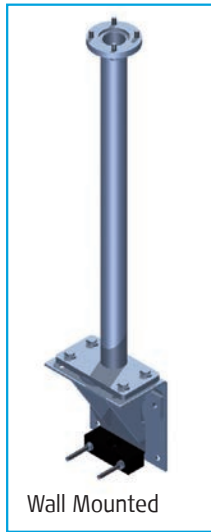
- > Floor Mounted
- > Wall Mounted

Brackets

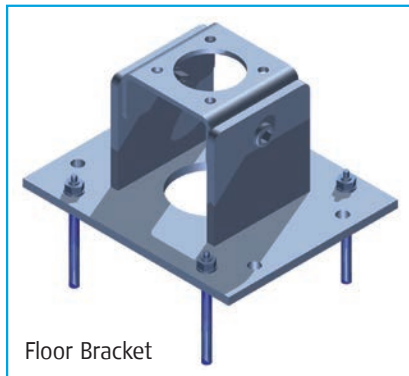
- > Floor Brackets
- > Wall Brackets
- > Spindle Guide Brackets
- > Frame Mounting Brackets T2, T9, T12, T15
- > Channel Side Wall Brackets T1, T2



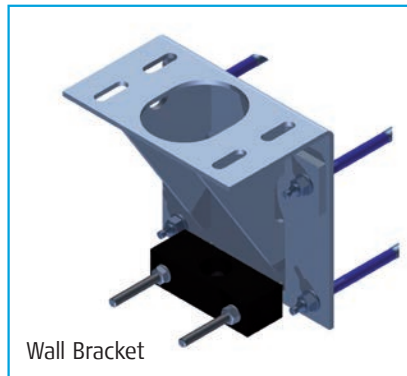
Floor Mounted



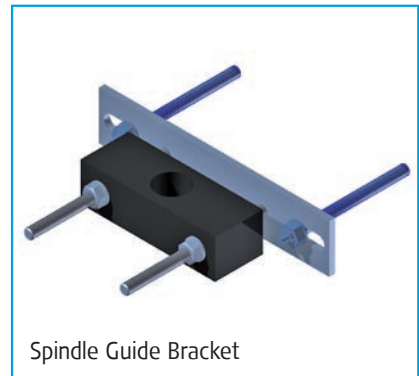
Wall Mounted



Floor Bracket



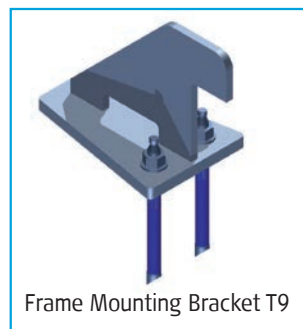
Wall Bracket



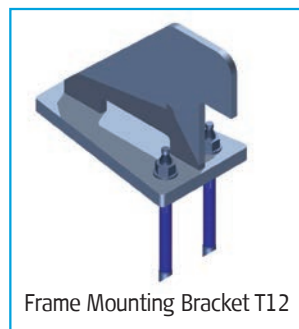
Spindle Guide Bracket



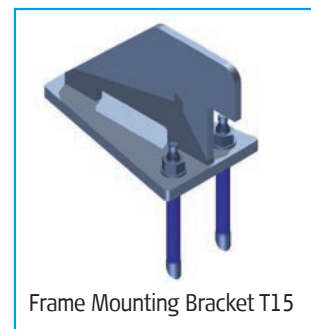
Frame Mounting Bracket T2



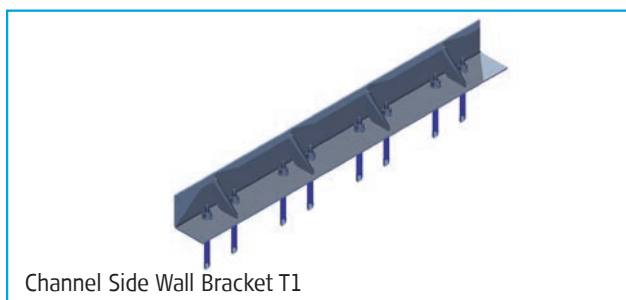
Frame Mounting Bracket T9



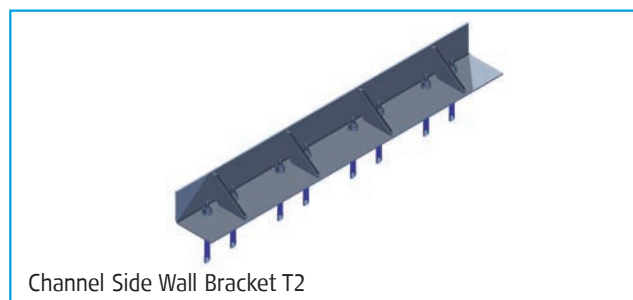
Frame Mounting Bracket T12



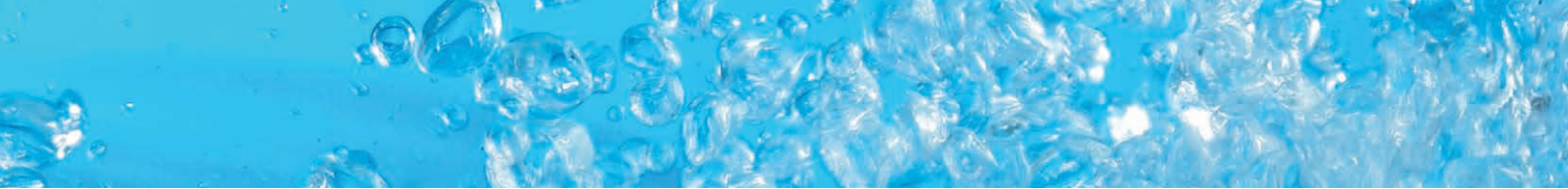
Frame Mounting Bracket T15



Channel Side Wall Bracket T1



Channel Side Wall Bracket T2



IBS GROUP

Our Production Facilities

- > IBS Technics GmbH Thierhaupten
- > IBS Technics s.r.o. Rotava
- > IBS Engineered Products Ltd. Barnsley

About Us

- > International Engineering Company
- > 150 employees
- > 11,000 m² manufacturing facilities
- > global leader for mobile flood water protection
- > more than 4000 successfully completed projects

Our Performance

- > Global distribution
- > Development, design and construction
- > State of the art production
- > Modern machinery
- > International service structure

Our Markets

- > Europe
- > Middle East
- > North America
- > Australia
- > Asia

IBSI GROUP
 WWW.IBS-TECHNICS.DE

IBSI GROUP
 WWW.IBSENGINEEREDPRODUCTS.CO.UK

IBS Technics GmbH

Gemeindewald 6 · 86672 Thierhaupten · Germany
 Tel.: + 49 (0) 8271 8176-0 · Fax: + 49 (0) 8271 8176-76
 Mail: info@ibs-technics.de · Web: www.ibs-technics.de

Unit 7 · Longfields Court · Middlewoods Way

Wharnccliffe Business Park · Carlton, Barnsley · S71 3GN
 Phone: +44 1226 6300-15 · Fax: +44 1226 6300-14
 info@ibsengeeredproducts.com · www.ibsengeeredproducts.co.uk