

W = Design Water Head (4 m)

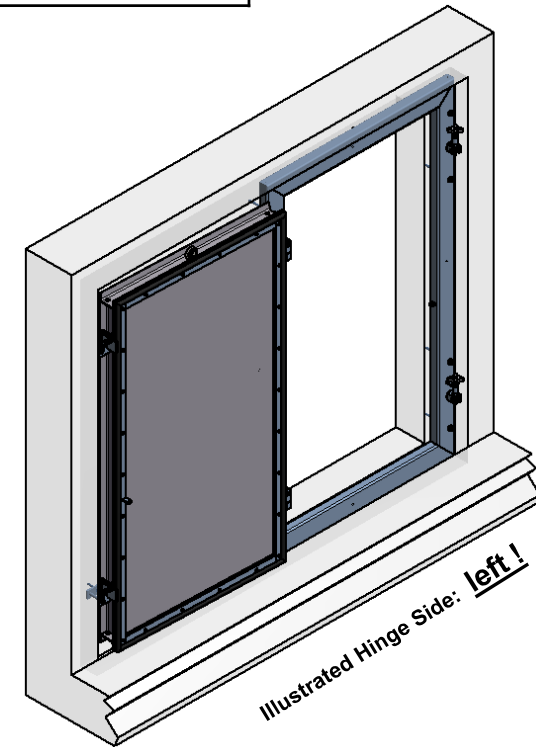
*) Colour: RAL Nr.: _____

Material Combination Type

1 2 3* 4* 7

Anchorage:
 x HST-R M12x185/90
 Yes No

Hinge Side:
 left right



IBS

IBS GmbH
 Gemeindewald 4-6
 D-86672 Thierhaupten
 Tel: +49-8271/8176-0
 Fax: +49-8271/8176-76
 Email: info@ibs-technik.de

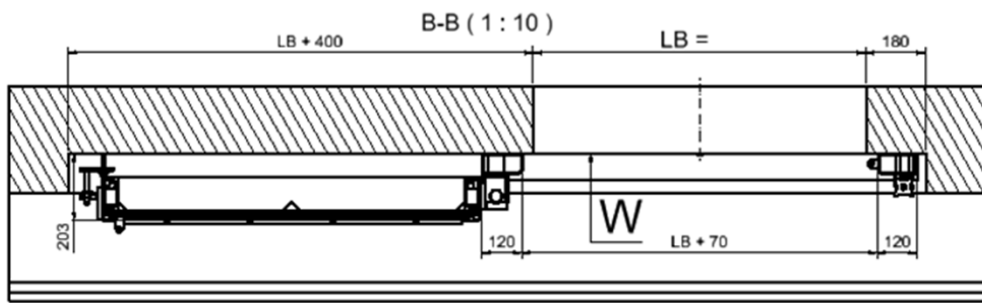
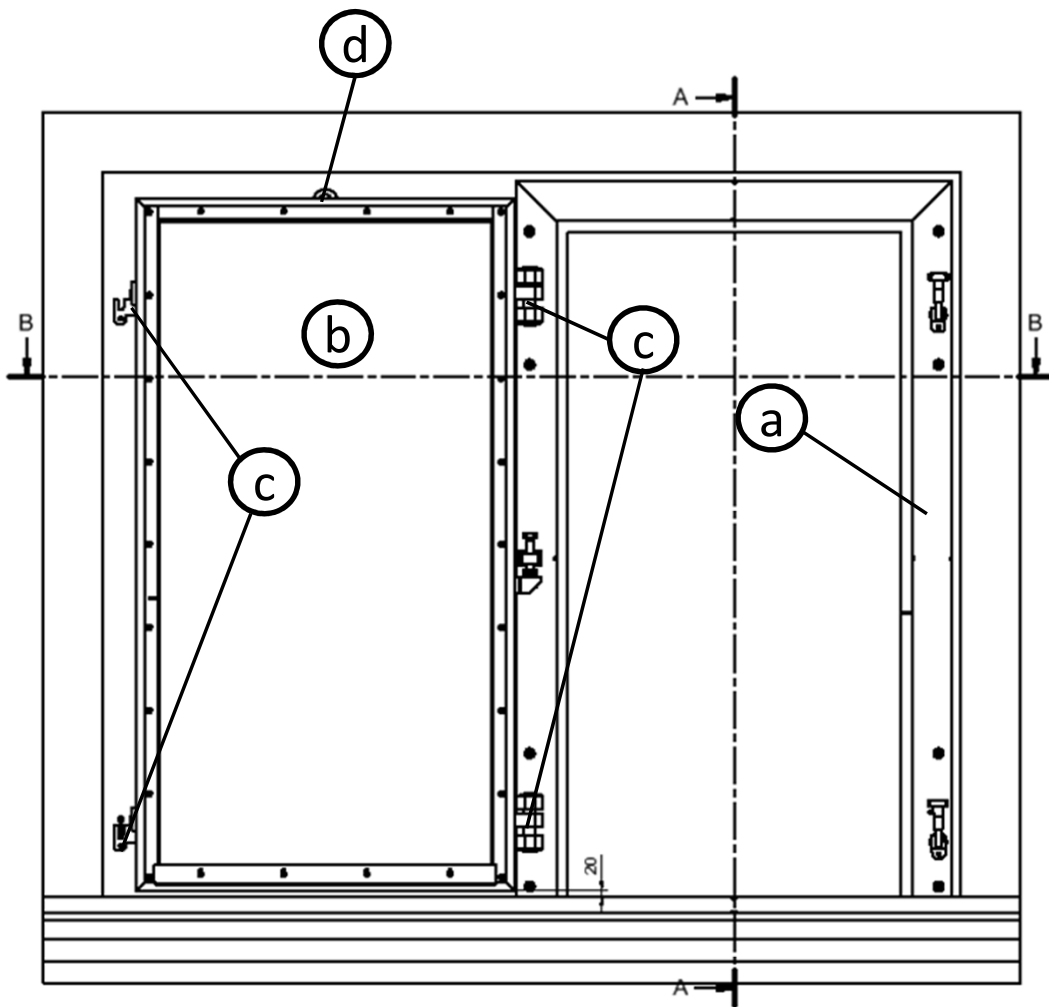
Project Number / Item:

Approval:

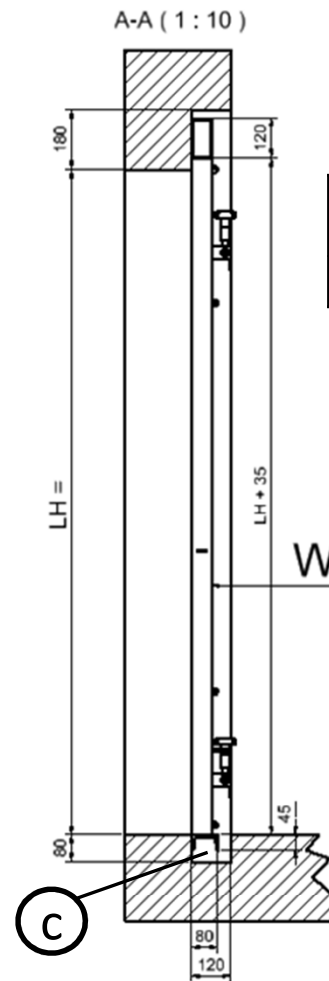
Designation:

**IBS Flood Door
 FDT-S-L**

(Date, Signature)



W = Design Water Head (4 m)

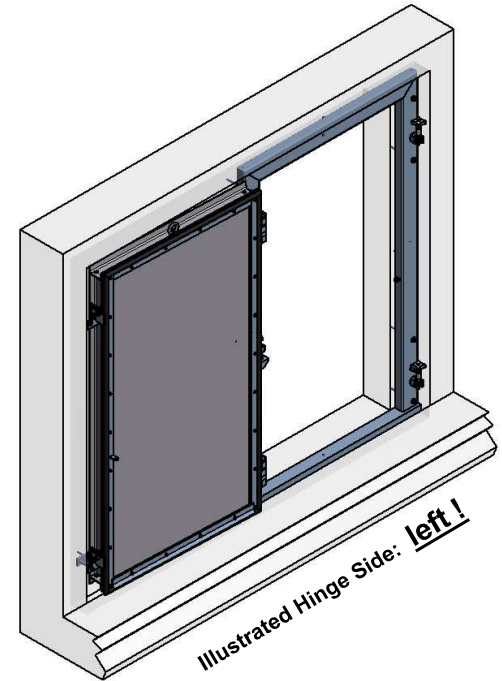


Material Combination Type

- | | | | | |
|--------------------------|--------------------------|--------------------------|--------------------------|--------------------------|
| 1 | 2 | 3* | 4* | 7 |
| <input type="checkbox"/> | <input type="checkbox"/> | <input type="checkbox"/> | <input type="checkbox"/> | <input type="checkbox"/> |

Anchorage: x HST-R M12x185/90	
<input type="checkbox"/> Yes	<input type="checkbox"/> No

Hinge Side:	
<input type="checkbox"/> left	<input type="checkbox"/> right



*) Colour: RAL Nr.: _____

IBS

IBS GmbH
 Gemeindewald 4-6
 D-86672 Thierhaupten
 Tel: +49-8271/8176-0
 Fax: +49-8271/8176-76
 Email: info@ibs-technik.de

Project Number / Item:

Approval:

Designation:

IBS Flood Door
FDT-E-L

(Date, Signature)

Material Combination Type

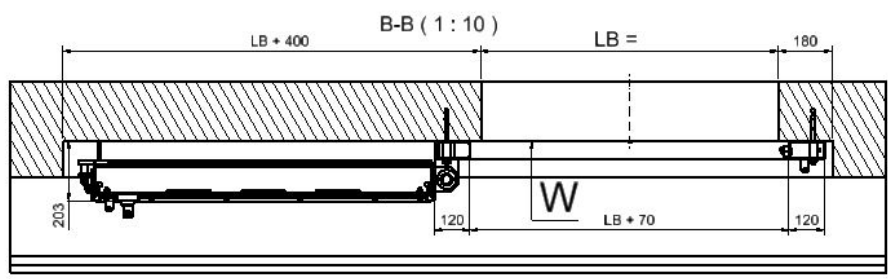
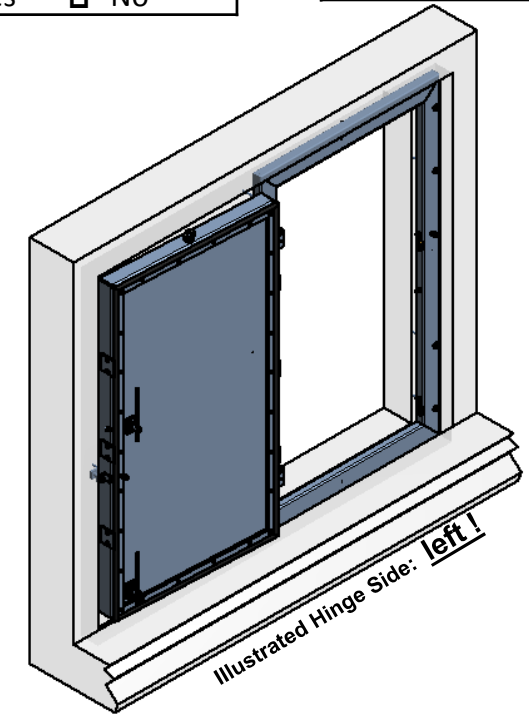
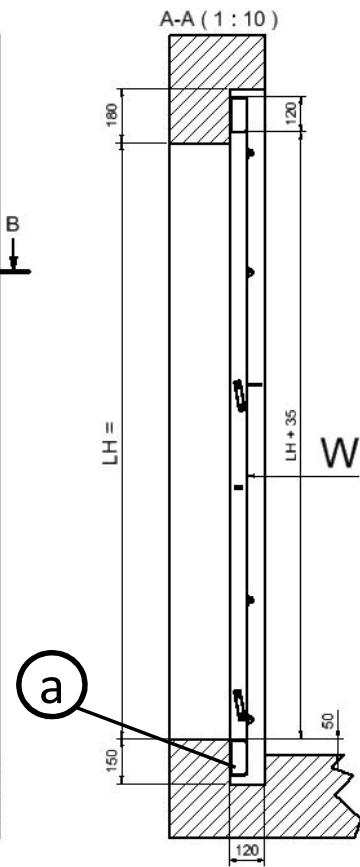
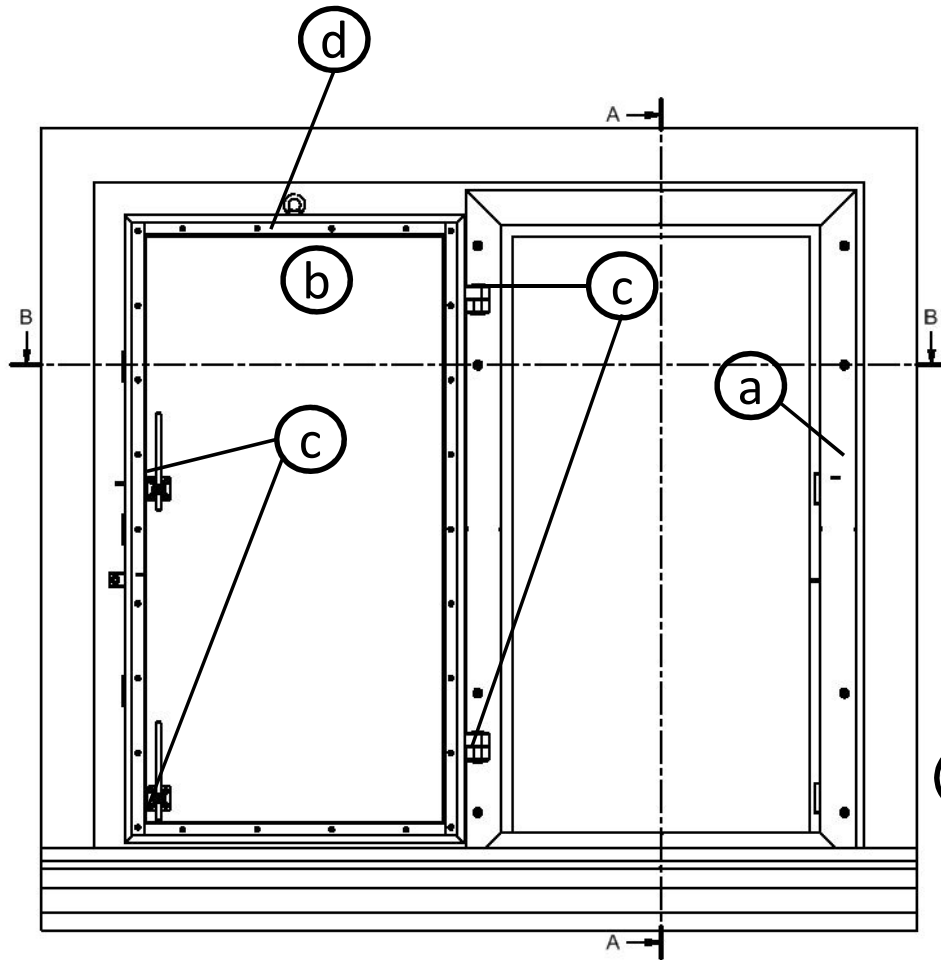
- | | | | | | |
|--------------------------|--------------------------|--------------------------|--------------------------|--------------------------|--------------------------|
| 1 | 2 | 3* | 4* | 5 | 6 |
| <input type="checkbox"/> | <input type="checkbox"/> | <input type="checkbox"/> | <input type="checkbox"/> | <input type="checkbox"/> | <input type="checkbox"/> |

Anchorage:
x HST-R M12x185/90

Yes No

Hinge Side:

left right



W = Design Water Head (4 m)

*) Colour: RAL Nr.: _____

IBS

IBS GmbH
 Gemeindewald 4-6
 D-86672 Thierhaupten
 Tel: +49-8271/8176-0
 Fax: +49-8271/8176-76
 Email: info@ibs-technik.de

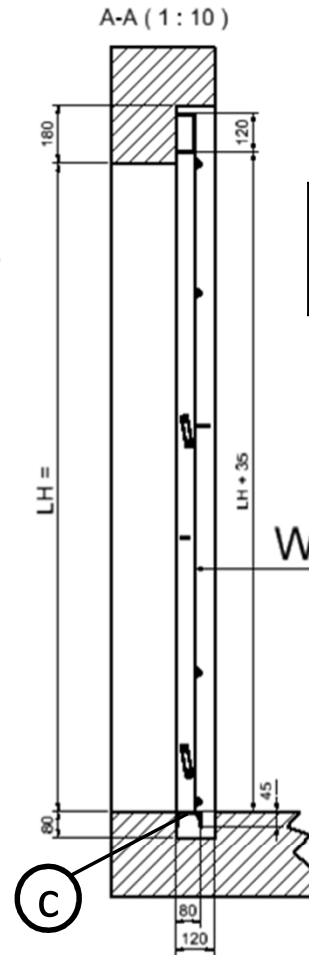
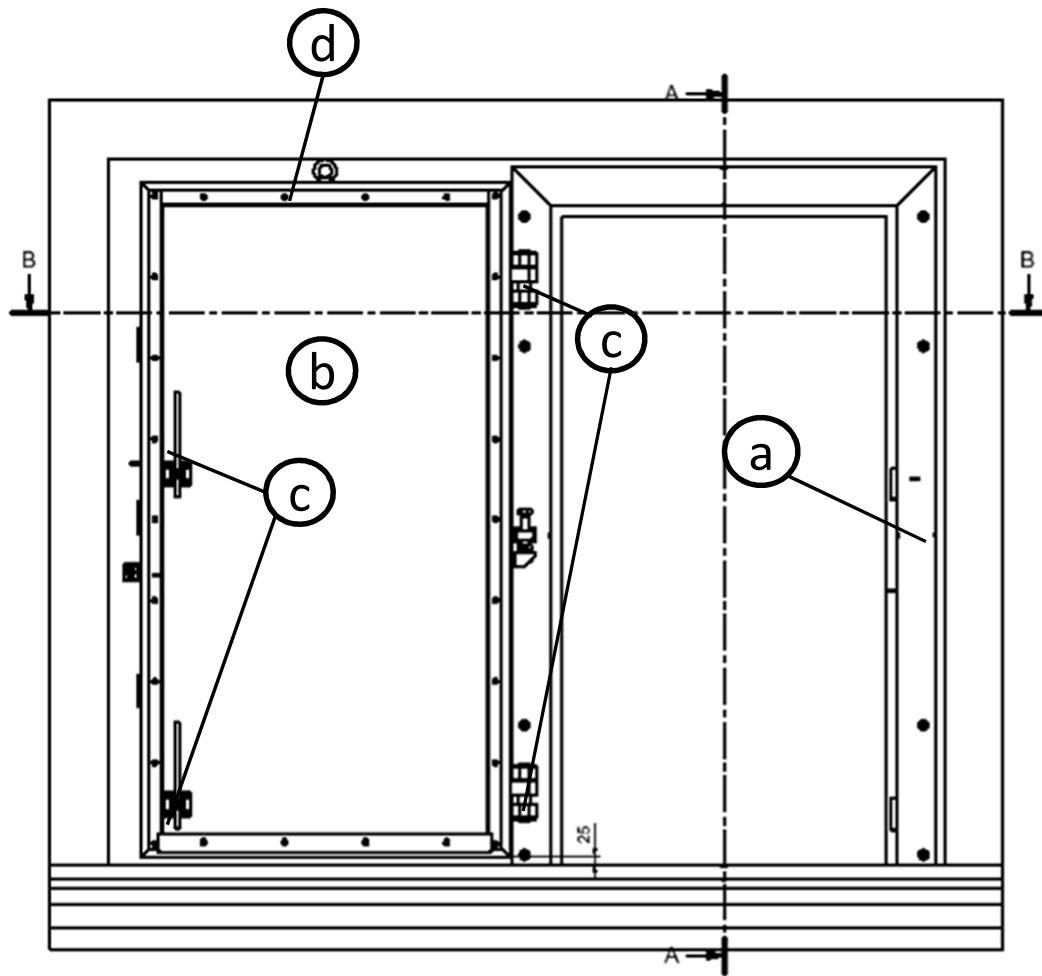
Project Number / Item:

Approval:

Designation:

IBS Flood Door
 FDD-S-L

(Date, Signature)

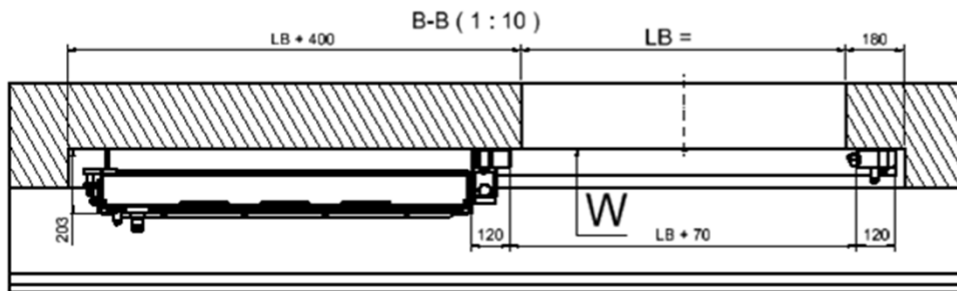
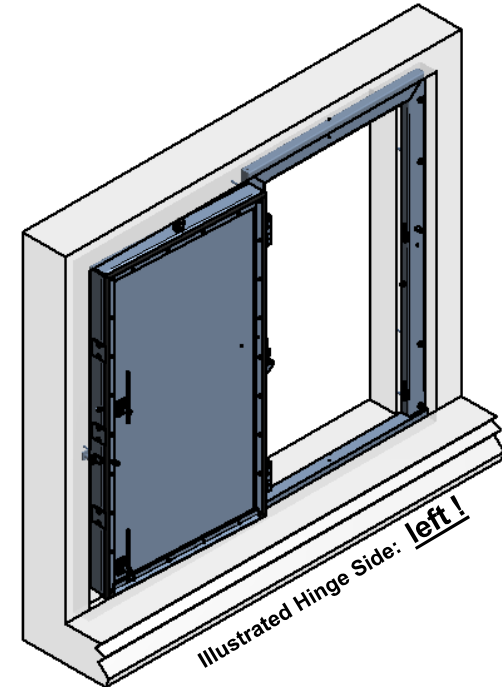


Material Combination Type

- | | | | | | |
|--------------------------|--------------------------|--------------------------|--------------------------|--------------------------|--------------------------|
| 1 | 2 | 3* | 4* | 5 | 6 |
| <input type="checkbox"/> | <input type="checkbox"/> | <input type="checkbox"/> | <input type="checkbox"/> | <input type="checkbox"/> | <input type="checkbox"/> |

Anchorage:
x HST-R M12x185/90
 Yes No

Hinge Side:
 left right



W = Design Water Head (4 m)

*) Colour: RAL Nr.: _____

IBS

IBS GmbH
Gemeindewald 4-6
D-86672 Thierhaupten
Tel: +49-8271/8176-0
Fax: +49-8271/8176-76
Email: info@ibs-technik.de

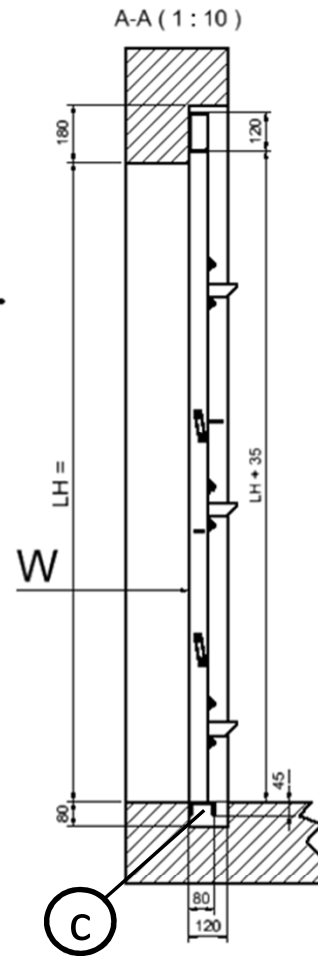
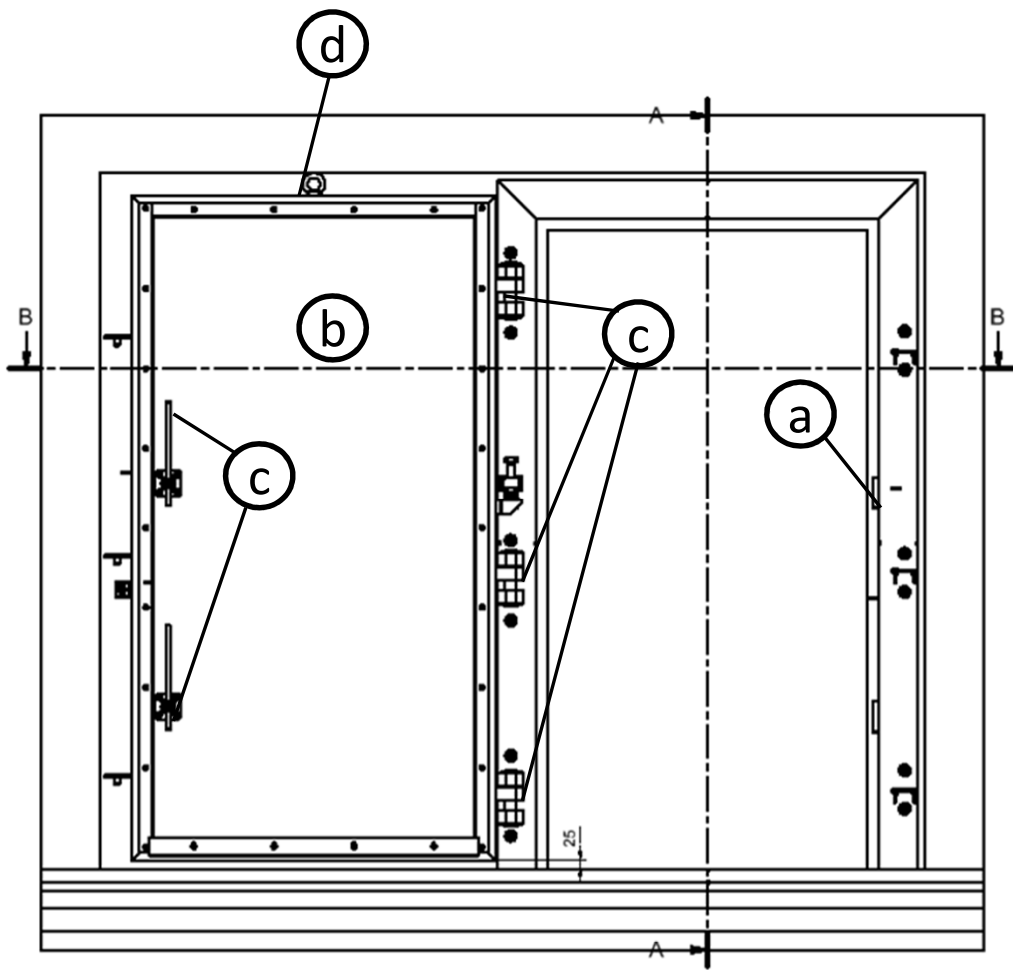
Project Number / Item:

Approval:

Designation:

IBS Flood Door
FDD-E-L

(Date, Signature)



Material Combination Type

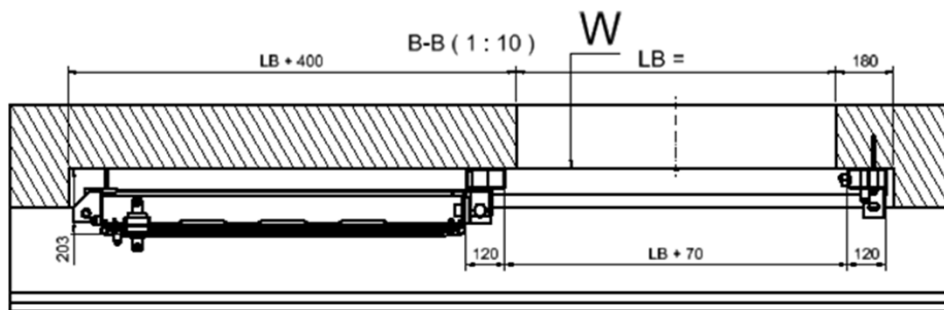
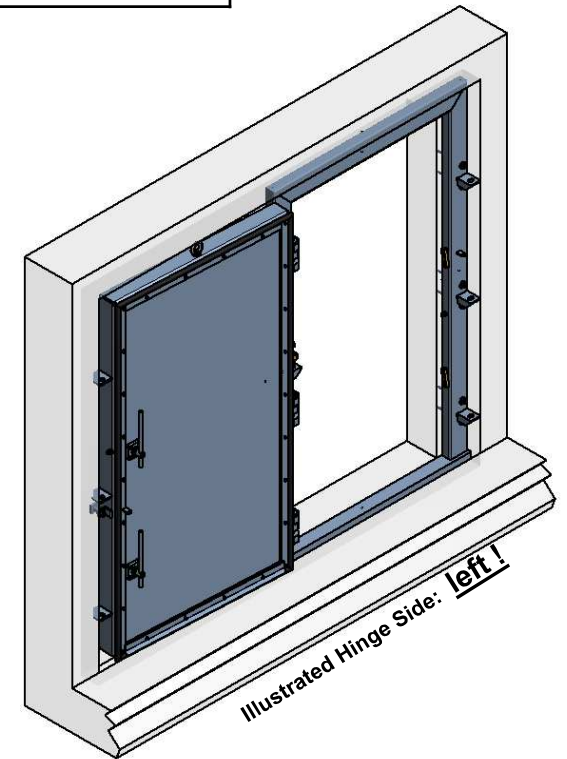
- | | | | | | |
|--------------------------|--------------------------|--------------------------|--------------------------|--------------------------|--------------------------|
| 1 | 2 | 3* | 4* | 5 | 6 |
| <input type="checkbox"/> | <input type="checkbox"/> | <input type="checkbox"/> | <input type="checkbox"/> | <input type="checkbox"/> | <input type="checkbox"/> |

Anchorage:
x HST-R M12x185/90

Yes No

Hinge Side:

left right



W = Design Water Head (4 m)

*) Colour: RAL Nr.: _____

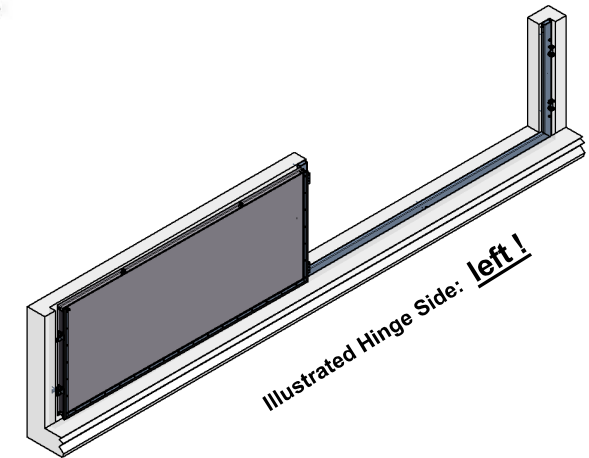
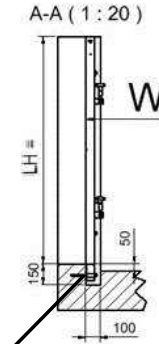
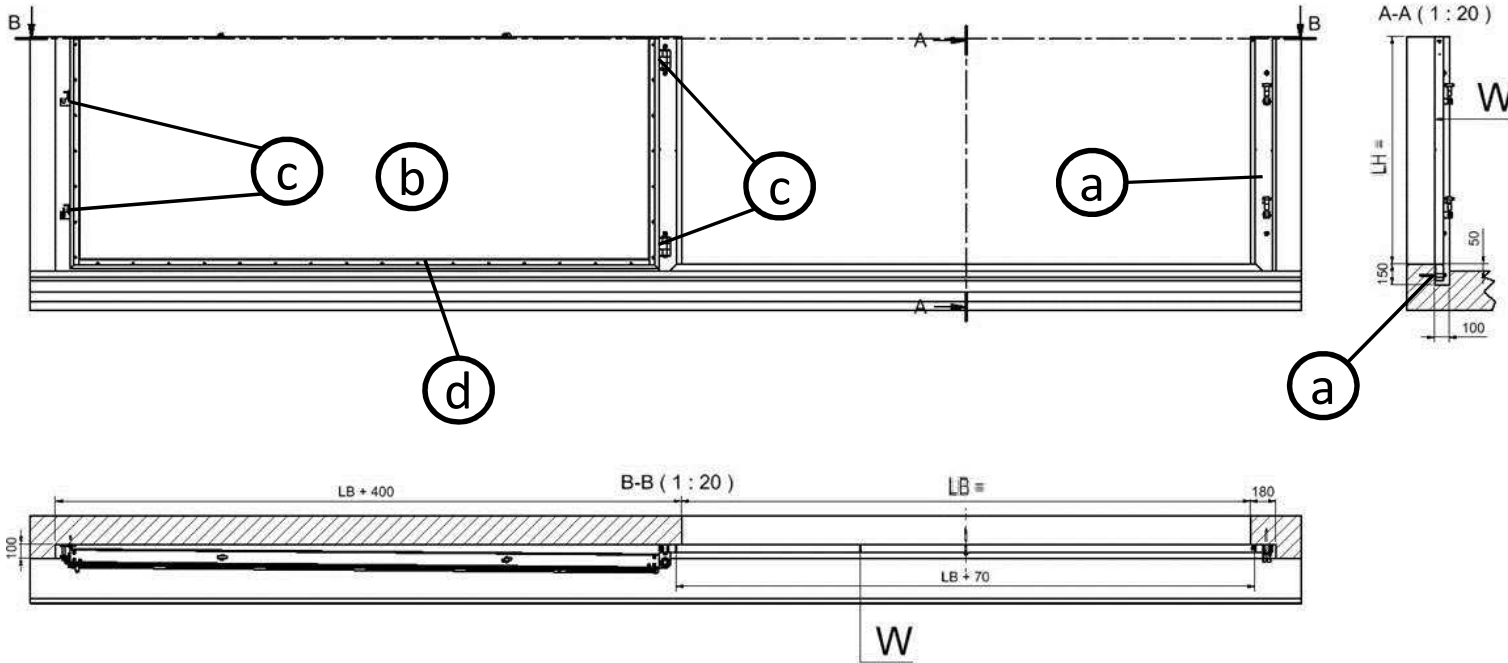
<h1>IBS</h1> <p>IBS GmbH Gemeindewald 4-6 D-86672 Thierhaupten Tel: +49-8271/8176-0 Fax: +49-8271/8176-76 Email: info@ibs-technik.de</p>	<p>Project Number / Item.:</p>	<p>Approval:</p>
	<p>Designation:</p> <p>IBS Flood Door FDZ-E-L</p>	<p>(Date, Signature)</p>

Material Combination Type

- 1 2 3* 4* 7

Anchorage: x HST-R M12x185/90	
<input type="checkbox"/> Yes	<input type="checkbox"/> No

Hinge Side:	
<input type="checkbox"/> left	<input type="checkbox"/> right



W = Design Water Head = Gate Height (LH)

*) Colour: RAL Nr.: _____

<h1>IBS</h1> <p> IBS GmbH Gemeindewald 4-6 D-86672 Thierhaupten Tel: +49-8271/8176-0 Fax: +49-8271/8176-76 Email: info@ibs-technik.de </p>	Project Number / Item.:	Approval:
	Designation: IBS Flood Door FGT-S-L	_____ _____ _____ _____ _____

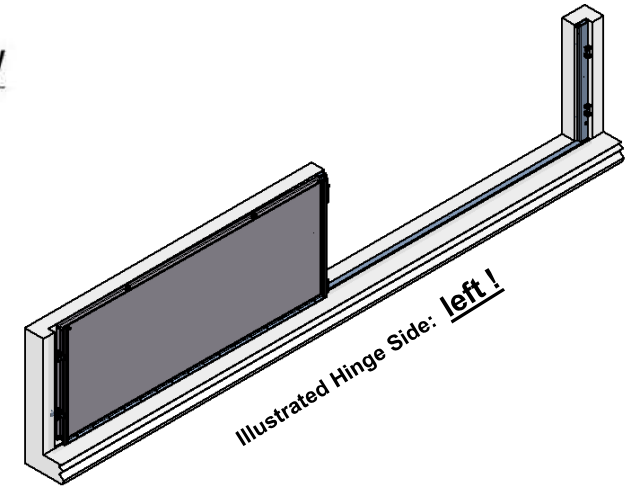
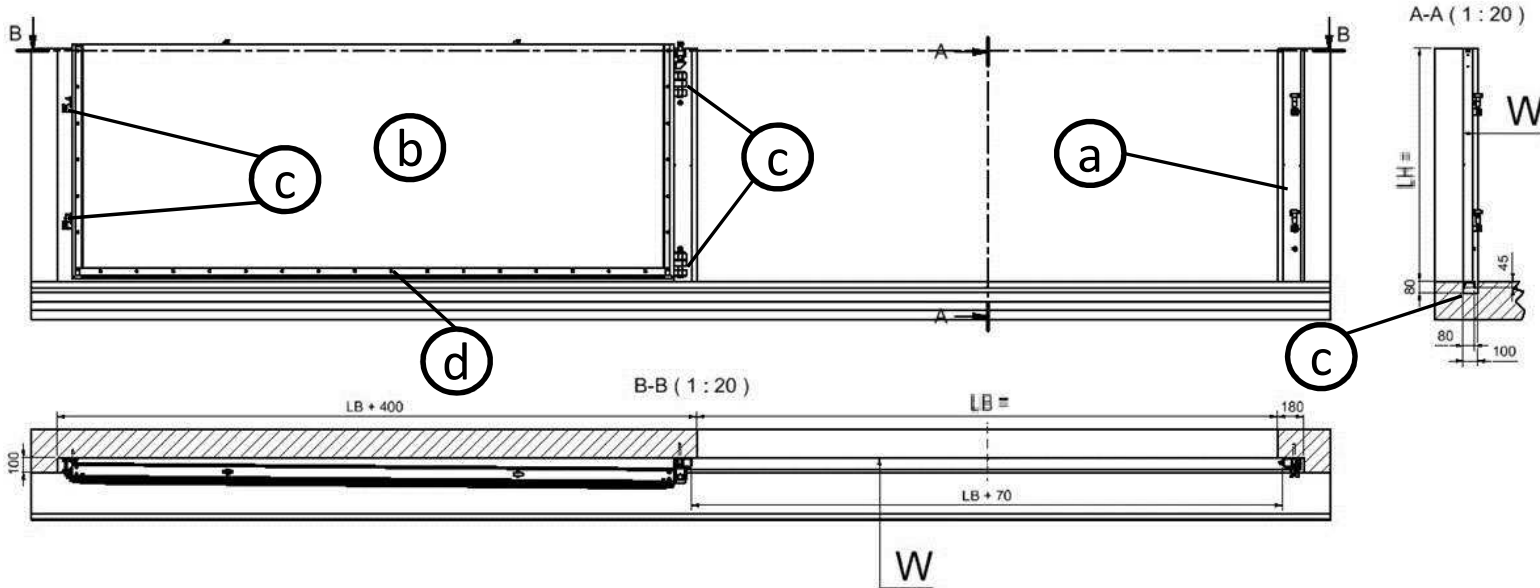
(Date, Signature)

Material Combination Type

- | | | | | |
|--------------------------|--------------------------|--------------------------|--------------------------|--------------------------|
| 1 | 2 | 3* | 4* | 7 |
| <input type="checkbox"/> | <input type="checkbox"/> | <input type="checkbox"/> | <input type="checkbox"/> | <input type="checkbox"/> |

Anchorage: x HST-R M12x185/90	
<input type="checkbox"/> Yes	<input type="checkbox"/> No

Hinge Side:	
<input type="checkbox"/> left	<input type="checkbox"/> right



W = Design Water Head = Gate Height (LH)

*) Colour: RAL Nr.: _____

IBS

IBS GmbH
 Gemeindewald 4-6
 D-86672 Thierhaupten
 Tel: +49-8271/8176-0
 Fax: +49-8271/8176-76
 Email: info@ibs-technik.de

Project Number / Item.:

Approval:

Designation:

**IBS Flood Door
 FGT-E-L**

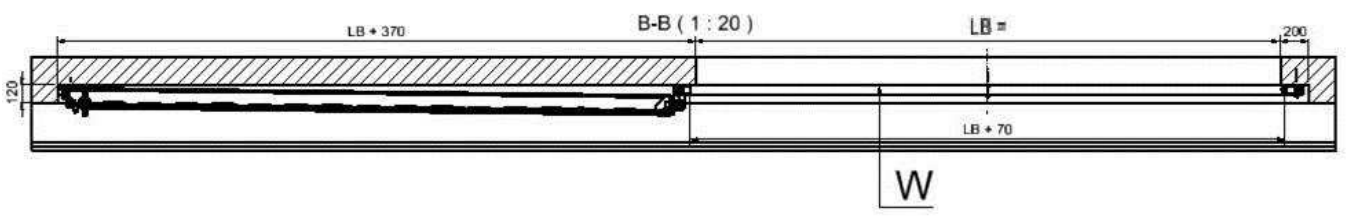
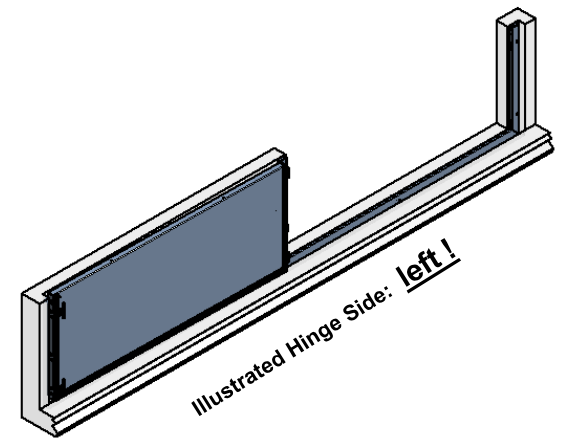
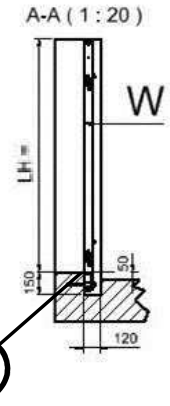
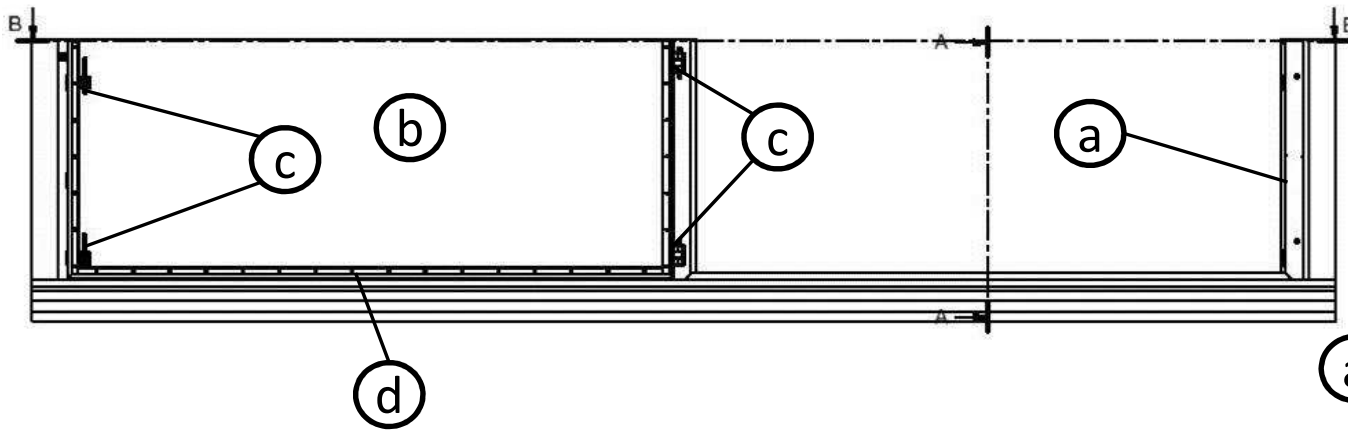
(Date, Signature)

Material Combination Type

- | | | | | | |
|--------------------------|--------------------------|--------------------------|--------------------------|--------------------------|--------------------------|
| 1 | 2 | 3* | 4* | 5 | 6 |
| <input type="checkbox"/> | <input type="checkbox"/> | <input type="checkbox"/> | <input type="checkbox"/> | <input type="checkbox"/> | <input type="checkbox"/> |

Anchorage: x HST-R M12x185/90	
<input type="checkbox"/> Yes	<input type="checkbox"/> No

Hinge Side:	
<input type="checkbox"/> left	<input type="checkbox"/> right



W = Design Water Head = Gate Height (LH)

*) Colour: RAL Nr.: _____

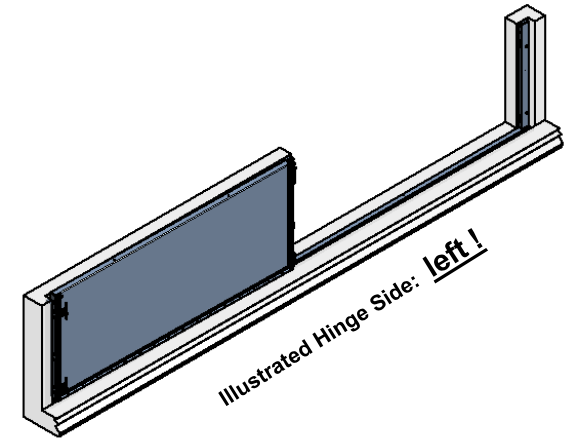
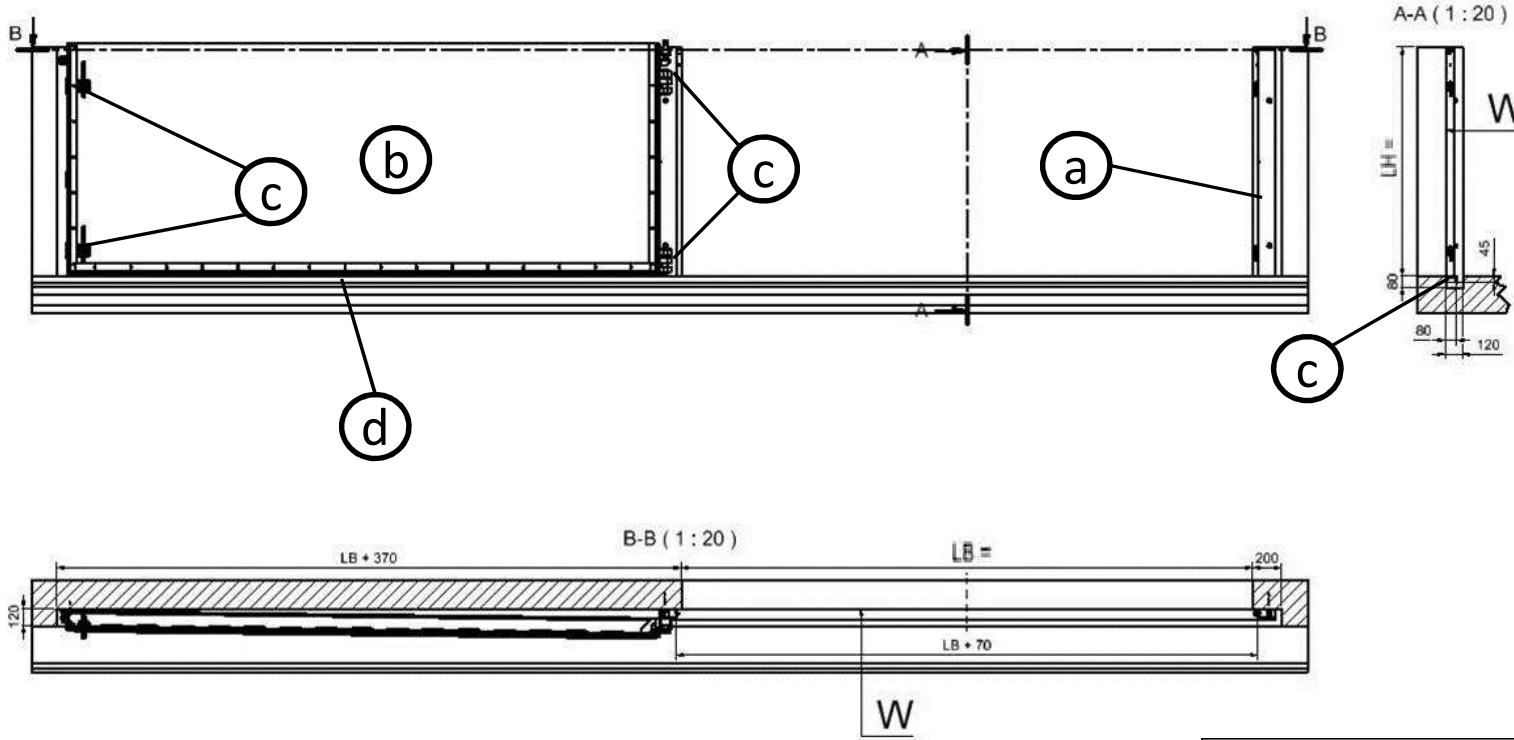
<h1>IBS</h1> <p>IBS GmbH Gemeindewald 4-6 D-86672 Thierhaupten Tel: +49-8271/8176-0 Fax: +49-8271/8176-76 Email: info@ibs-technik.de</p>	Project Number / Item.: 	Approval:
	Designation: IBS Flood Door FGD-S-L	 (Date, Signature)

Material Combination Type

- | | | | | | |
|--------------------------|--------------------------|--------------------------|--------------------------|--------------------------|--------------------------|
| 1 | 2 | 3* | 4* | 5 | 6 |
| <input type="checkbox"/> | <input type="checkbox"/> | <input type="checkbox"/> | <input type="checkbox"/> | <input type="checkbox"/> | <input type="checkbox"/> |

Anchorage: x HST-R M12x185/90	
<input type="checkbox"/> Yes	<input type="checkbox"/> No

Hinge Side:	
<input type="checkbox"/> left	<input type="checkbox"/> right



W = Design Water Head = Gate Height (LH)

*) Colour: RAL Nr.: _____

IBS

IBS GmbH
 Gemeindewald 4-6
 D-86672 Thierhaupten
 Tel: +49-8271/8176-0
 Fax: +49-8271/8176-76
 Email: info@ibs-technik.de

Project Number / Item:

Approval:

Designation:

**IBS Flood Gate
 FGD-E-L**

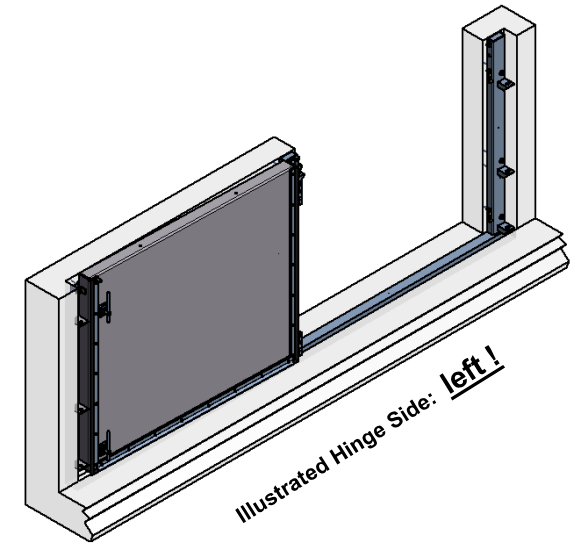
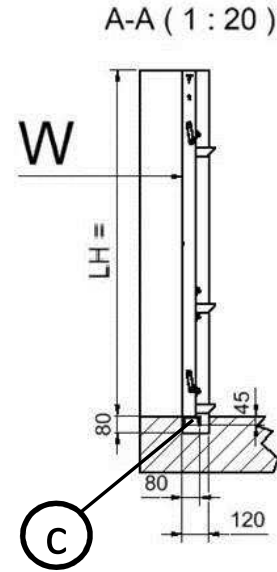
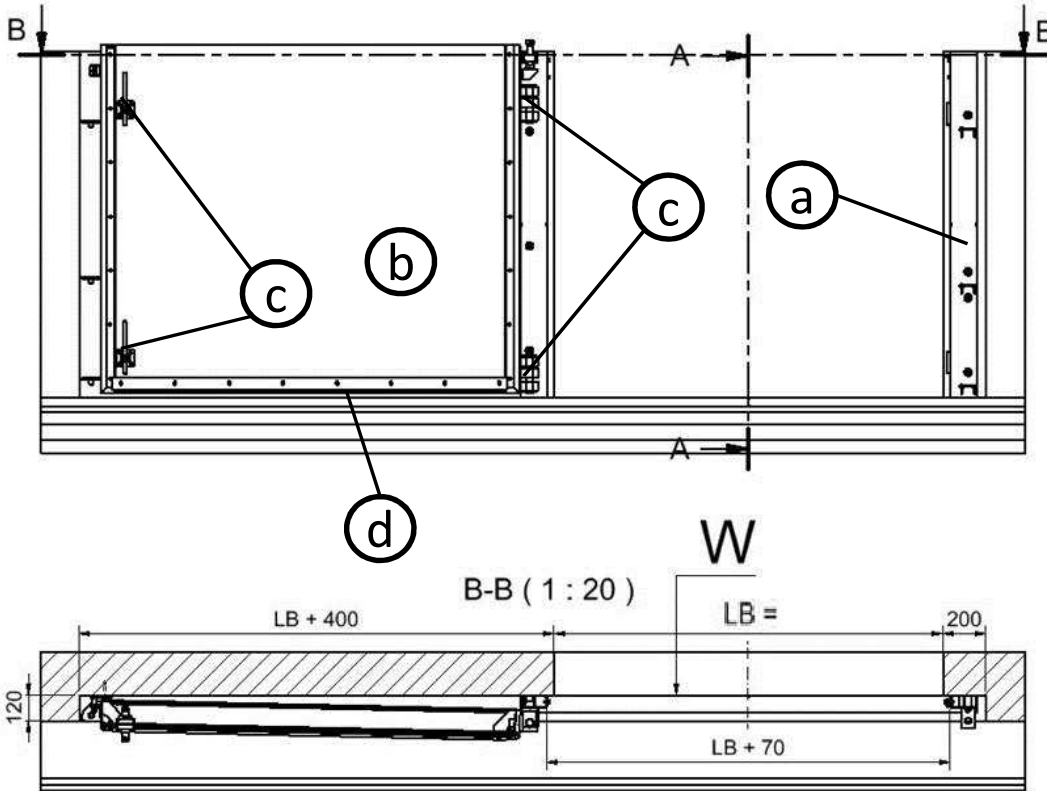
(Date, Signature)

Material Combination Type

- | | | | | | |
|--------------------------|--------------------------|--------------------------|--------------------------|--------------------------|--------------------------|
| 1 | 2 | 3* | 4* | 5 | 6 |
| <input type="checkbox"/> | <input type="checkbox"/> | <input type="checkbox"/> | <input type="checkbox"/> | <input type="checkbox"/> | <input type="checkbox"/> |

Anchorage: x HST-R M12x185/90	
<input type="checkbox"/> Yes	<input type="checkbox"/> No

Hinge Side:	
<input type="checkbox"/> left	<input type="checkbox"/> right



W = Design Water Head = Gate Height (LH)

*) Colour: RAL Nr.: _____

<h1>IBS</h1> <p>IBS GmbH Gemeindewald 4-6 D-86672 Thierhaupten Tel: +49-8271/8176-0 Fax: +49-8271/8176-76 Email: info@ibs-technik.de</p>	Project Number / Item.:	Approval:
	Designation:	(Date, Signature)
IBS Flood Door FGZ-E-L		

**Material Combination
IBS Flood Door/Gate
FDT / FDD / FDZ
FGT / FGD / FGZ**

		a	b	c	d
Material Combination	Coating	Frame Sill	Door Gate	Fittings Invert Frame	Seals
1	Primed 1)	V2A	S235	V2A	EPDM
2	Primed 1)	V4A	S235	V4A	EPDM
3	C3 2)	V2A	S235	V2A	EPDM
4	C5-M 3)	V4A	S235	V4A	EPDM
5	-	V2A	V2A	V2A	EPDM
6	-	V4A	V4A	V4A	EPDM
7	hot galvanized 4)	V2A	S235	V2A	EPDM

Please note: Not all Material Combinations are available for each Door/Gate Type

Legend:

- 1) Primed – Thickness 60 µm – colour grey
- 2) C3 – Coating acc. to EN ISO 12944 – Thickness 160 µm
- 3) C5-M – Coating acc. to EN ISO 12944 – Thickness 500 µm
- 4) Hot galvanized – acc. to EN ISO 1461

S235 – Mild Steel - Grade 1.0037

V2A – Stainless Steel Grade SS 304

V4A – Stainless Steel Grade SS 316L

EPDM – Ethylen-Propylen-Dien-Kautschuk

IBS

IBS GmbH
Gemeindewald 4-6
D-86672 Thierhaupten
Tel: +49-8271/8176-0
Fax: +49-8271/8176-76
Email: info@ibs-technik.de

Project Number / Item:

Designation:

**IBS FD/FG
MAT-KOMB**