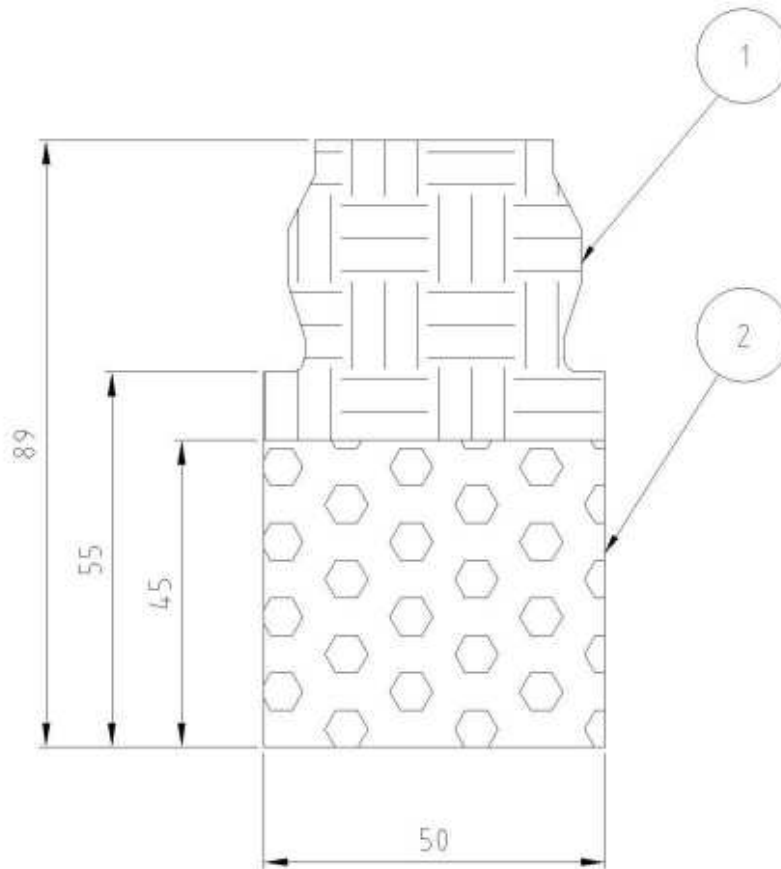


2.3 Seals / Guide Rail

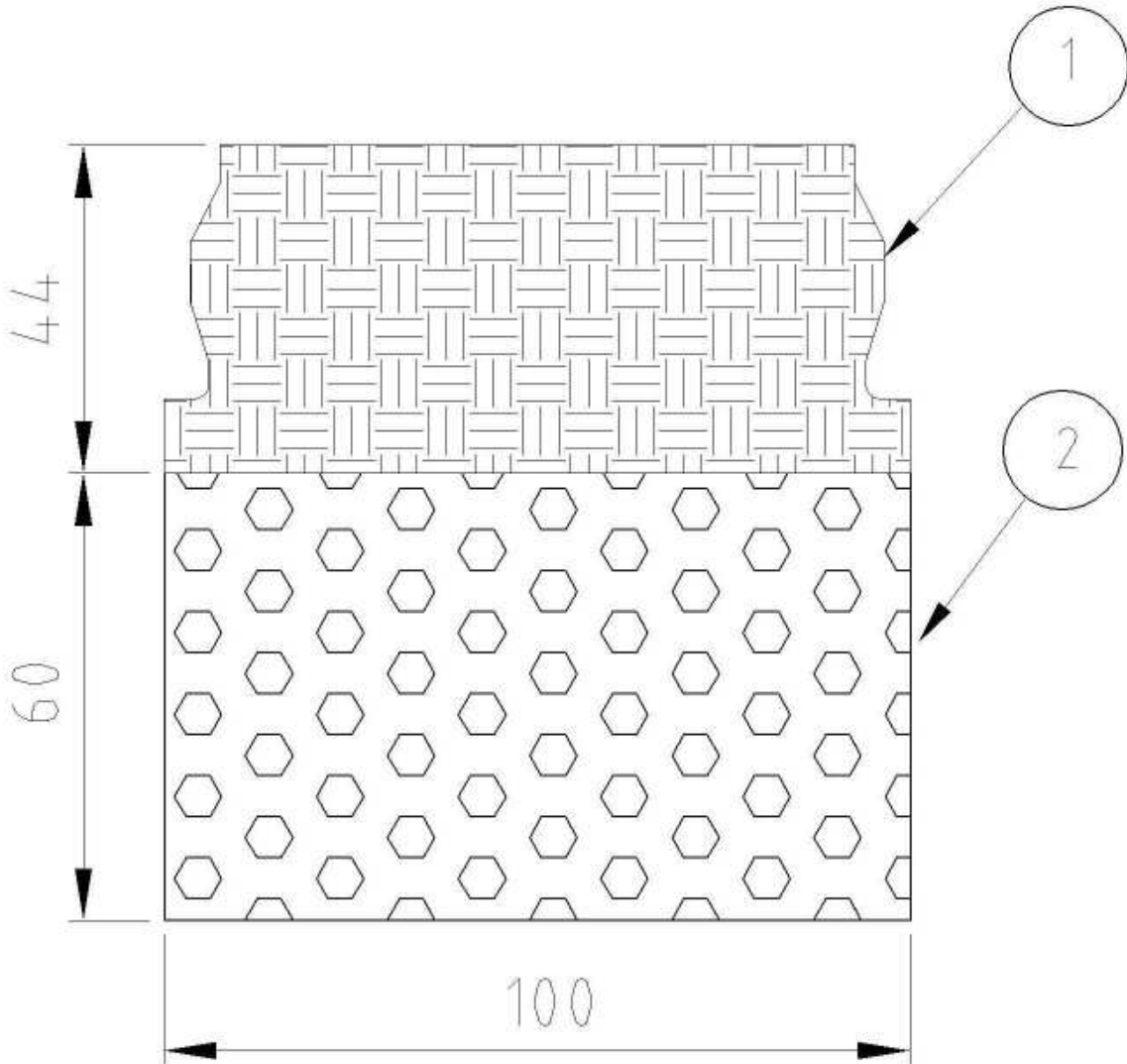
For use in drinking water applications KTW/DWI approved guides and double lip seals are available. This design is marked **PW**. Only frame mounted frame designs **FM** (see Chapter 2.1 Frames) can be provided for drinking water applications. It must be noted that for drinking water applications the adequate KTW/DWI approved/recommended dam beams/logs must also be selected. (see chapter 2.2 Dam Beams/logs, Stop Plates).

2.3.1 Ground Seal BD50_PE/PU



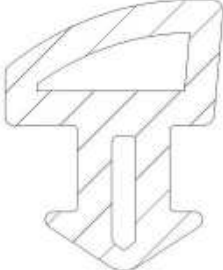
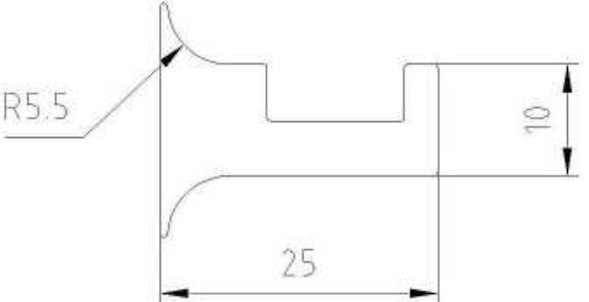
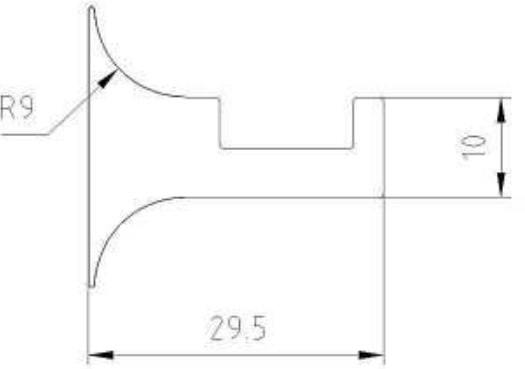
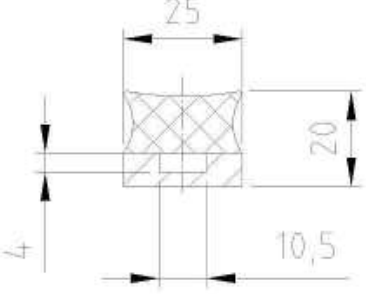
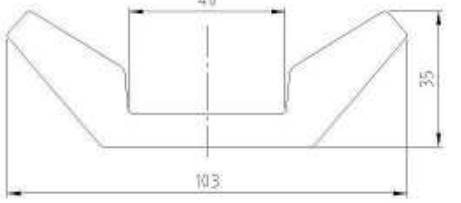
LEGEND	
Material Pos 1	PE (Polyethylene)
Material Pos 2	PU (Polyurethane)
Weight per linear m	0,412 kg/m

2.3.2 Ground Seal BD100_PE/PU



LEGEND	
Material Pos 1	PE (Polyethylene)
Material Pos 2	PU (Polyurethane)
Weight per linear m	1,007 kg/m

2.3.3 Dam Beams/Logs, Frames

<p>Dam Beam / Log clamping Seal</p>	
<p>Dam Beam/Log Horizontal Seal R5</p>	
<p>Dam Beam/Log Horizontal Seal R9</p>	
<p>Dam Beam/Log vertical Seal LM</p>	
<p>Double Lip Seal</p>	

Material	EPDM	Silicone (Elastosil)
Dam Beam / Log clamping Seal	yes	no
Dam Beam/Log Horizontal Seal R5	yes	yes
Dam Beam/Log Horizontal Seal R9	yes	yes
Dam Beam/Log vertical Seal LM	yes	no
Double Lip Seal	yes	yes

2.3.4 Guide Rail

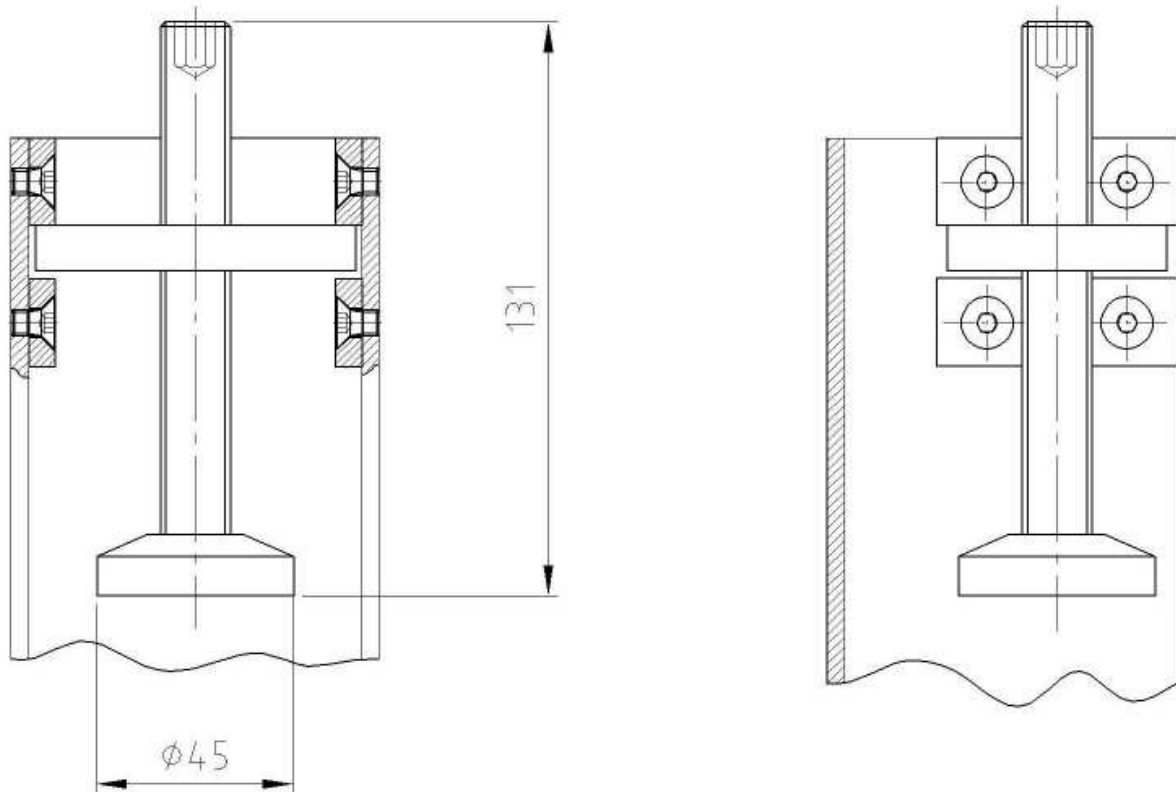
Guide Rail: square section 50x20mm

Material	POM nature	POM black
----------	------------	-----------

POM: Polyoxymethylene

2.4 Pressing Tool

2.4.1 Pressing Tool Type1



Description	Material
VSV2A50T1	SS 304
VSV4A50T1	SS 316
VSV2A100T1	SS 304
VSV4A100T1	SS 316
VSV2A150T1	SS 304
VSV4A150T1	SS 316

2.4.2 Pressing Tool Type 2

Description	Material
VSV2A50T2	SS 304
VSV4A50T2	SS 316
VSV2A100T2	SS 304
VSV4A100T2	SS 316
VSV2A150T2	SS 304
VSV4A150T2	SS 316

2.4.3 Distance Tube

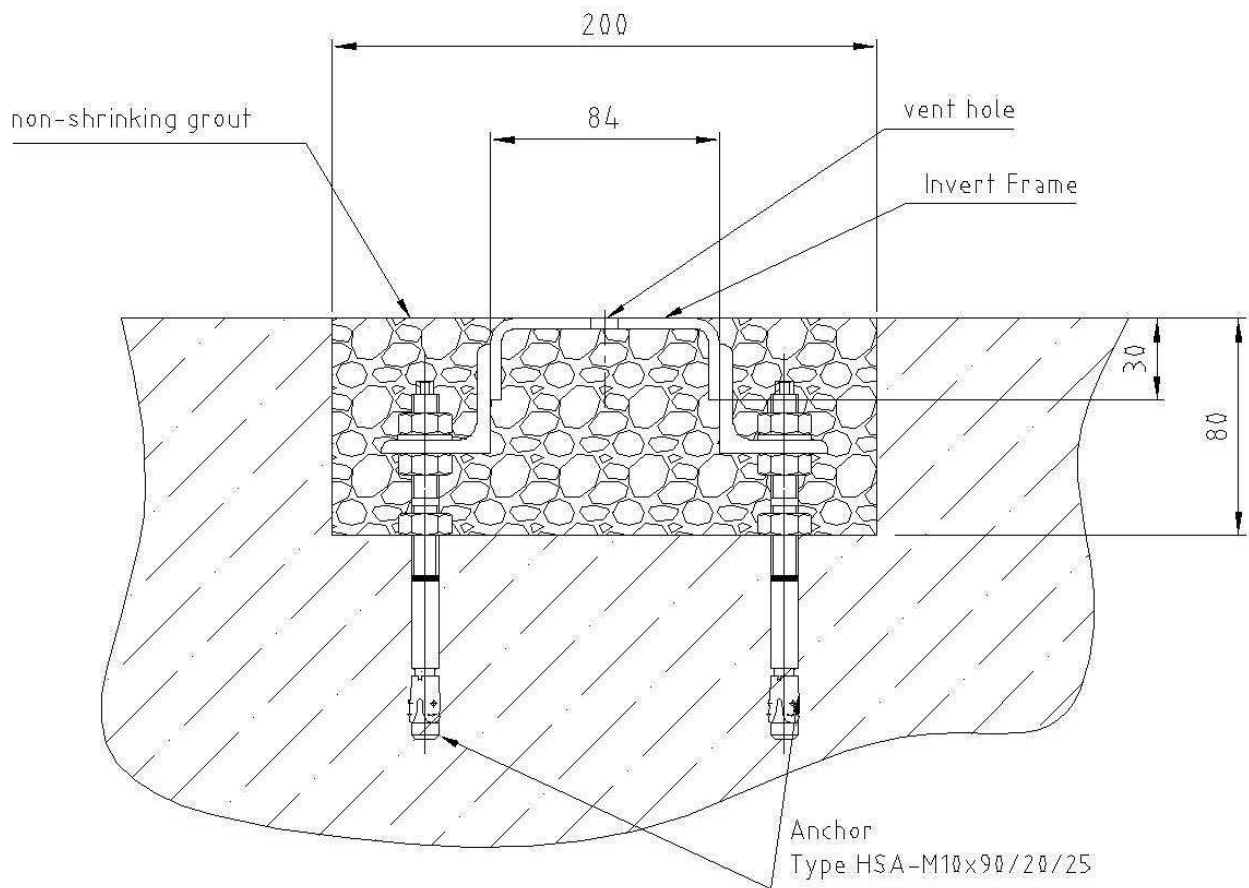


Description	Material
VSDRAL50x50x4	Aluminium
VSDRV2A50x50x3	SS 304
VSDRV4A50x50x3	SS 316

2.5 Invert Frame

2.5.1 Type 1 in Rebate

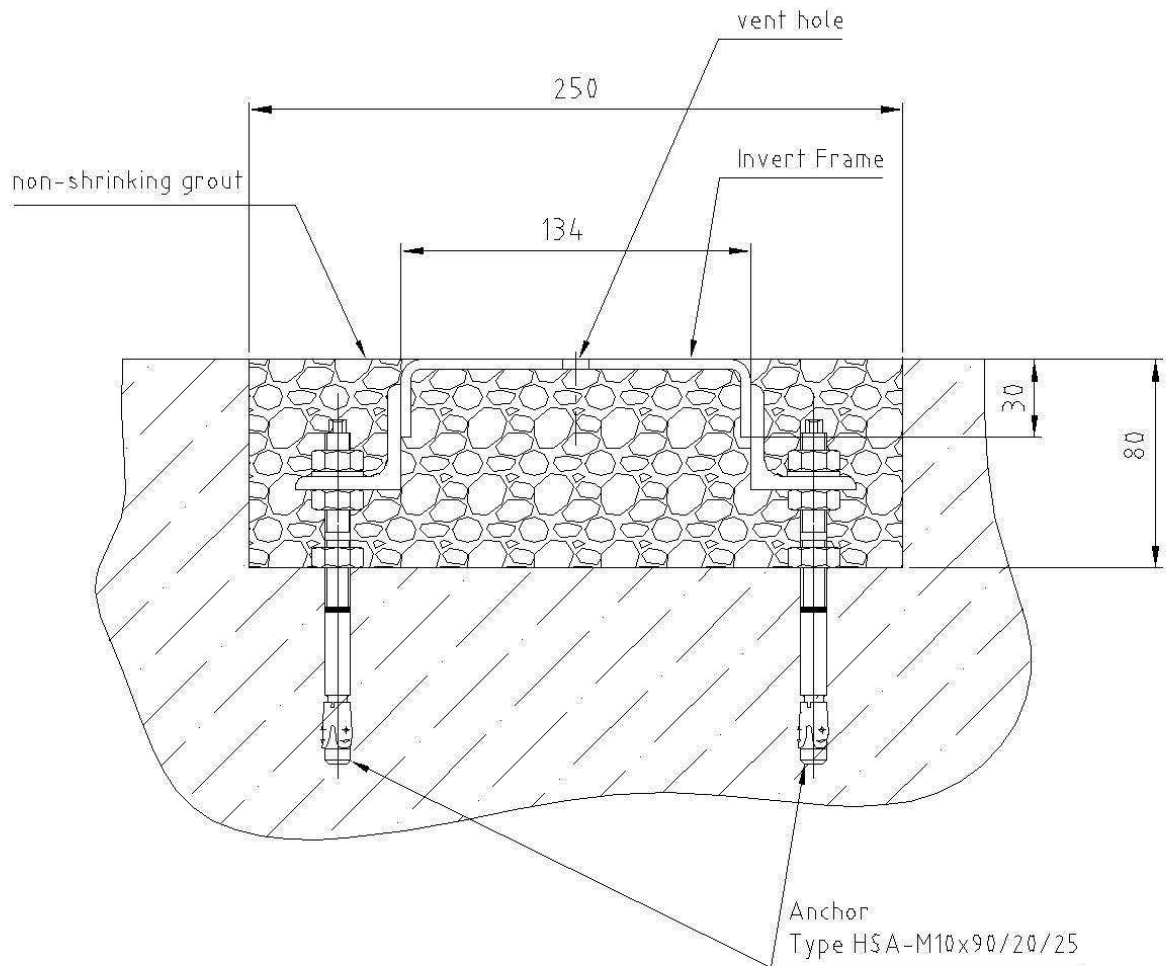
2.5.1.1 Invert Frame 50 T1



Mounting Tolerance: Flatness Tolerance + / - 2mm over entire length

Description	Material Invert Frame
IFV2A50-T1	SS 304
IFV4A50-T1	SS 316

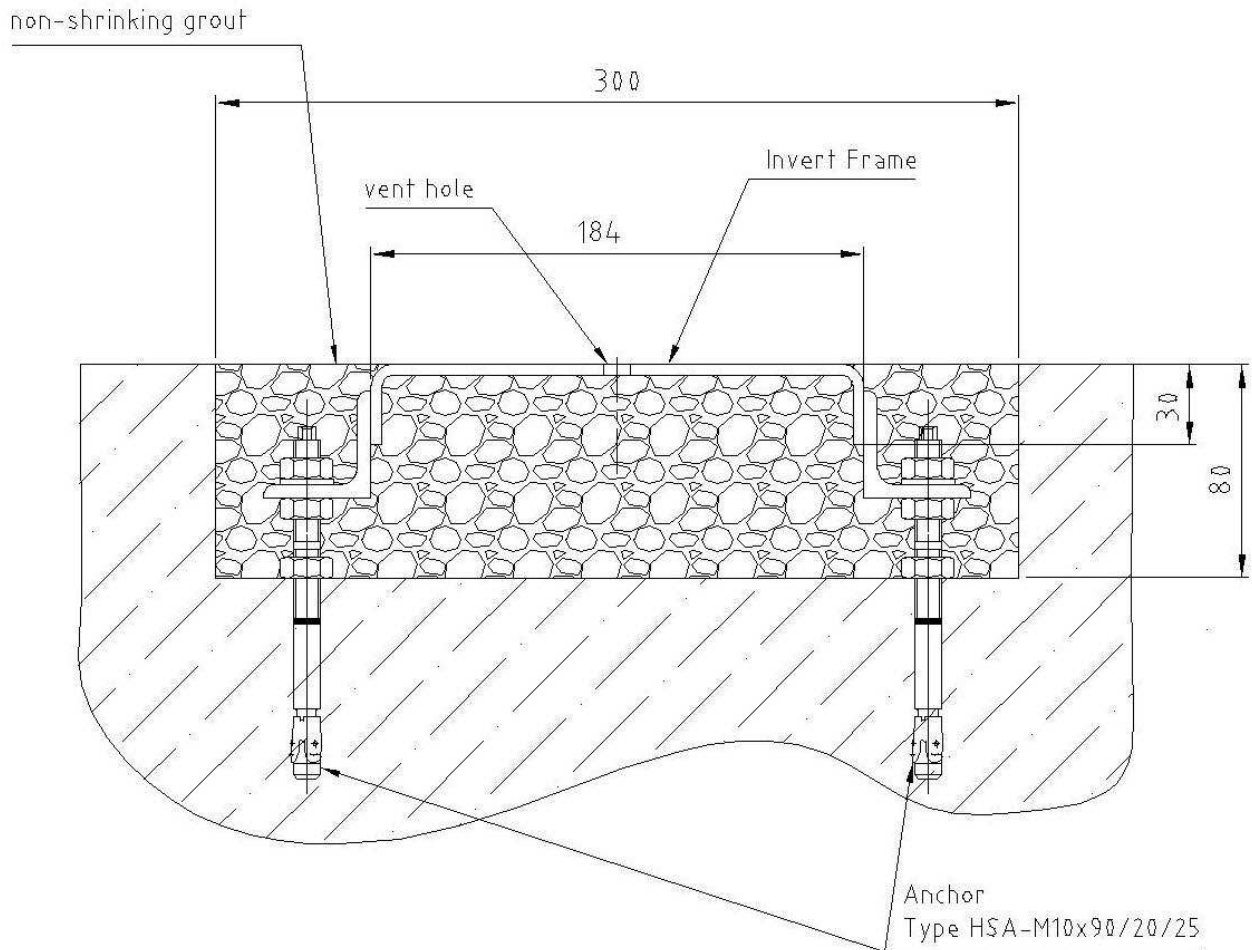
2.5.1.2 Invert Frame 100 T1



Mounting Tolerance: Flatness Tolerance + / - 2mm over entire length

Description	Material Invert Frame
IFV2A100-T1	SS 304
IFV4A100-T1	SS 316

2.5.1.3 Invert Frame 150 T1

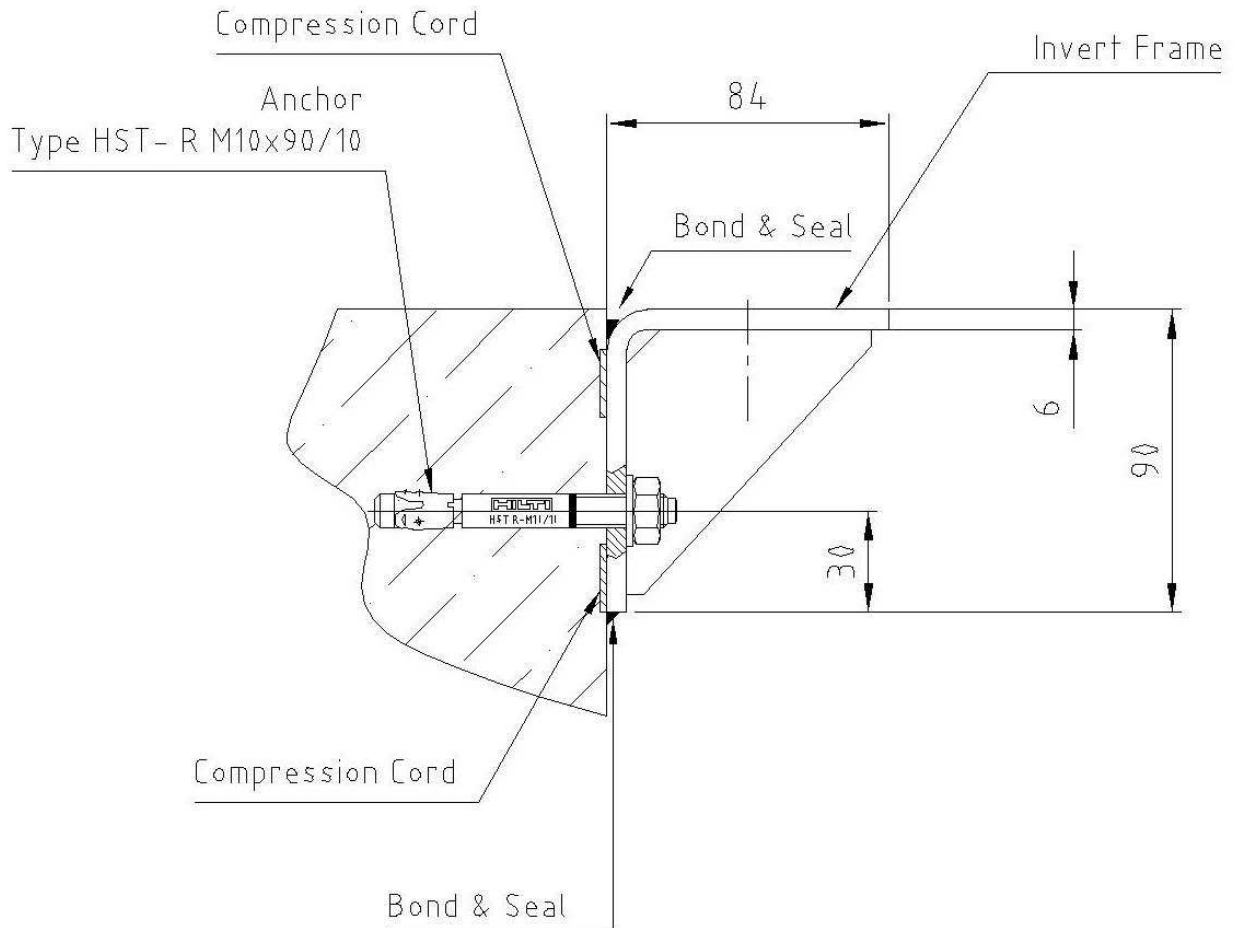


Mounting Tolerance: Flatness Tolerance + / - 2mm over entire length

Description	Material Invert Frame
IFV2A150-T1	SS 304
IFV4A150-T1	SS 316

2.5.2 Type 2 – Wall Mounted

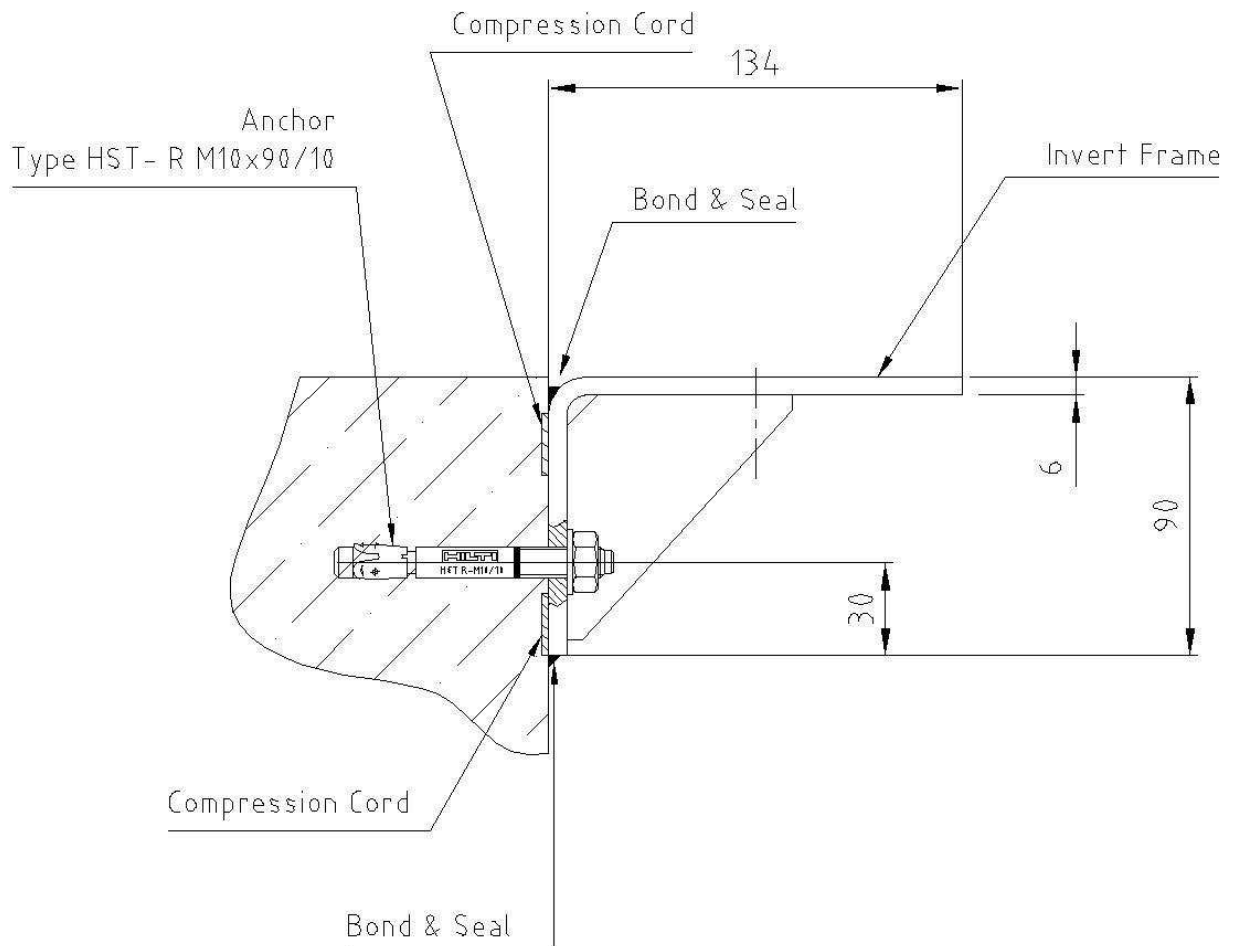
2.5.2.1 Invert Frame 50 T2



Mounting Tolerance: Flatness Tolerance +/- 2mm over entire length

Description	Material Invert Frame
IFV2A50-T2	SS 304
IFV4A50-T2	SS 316

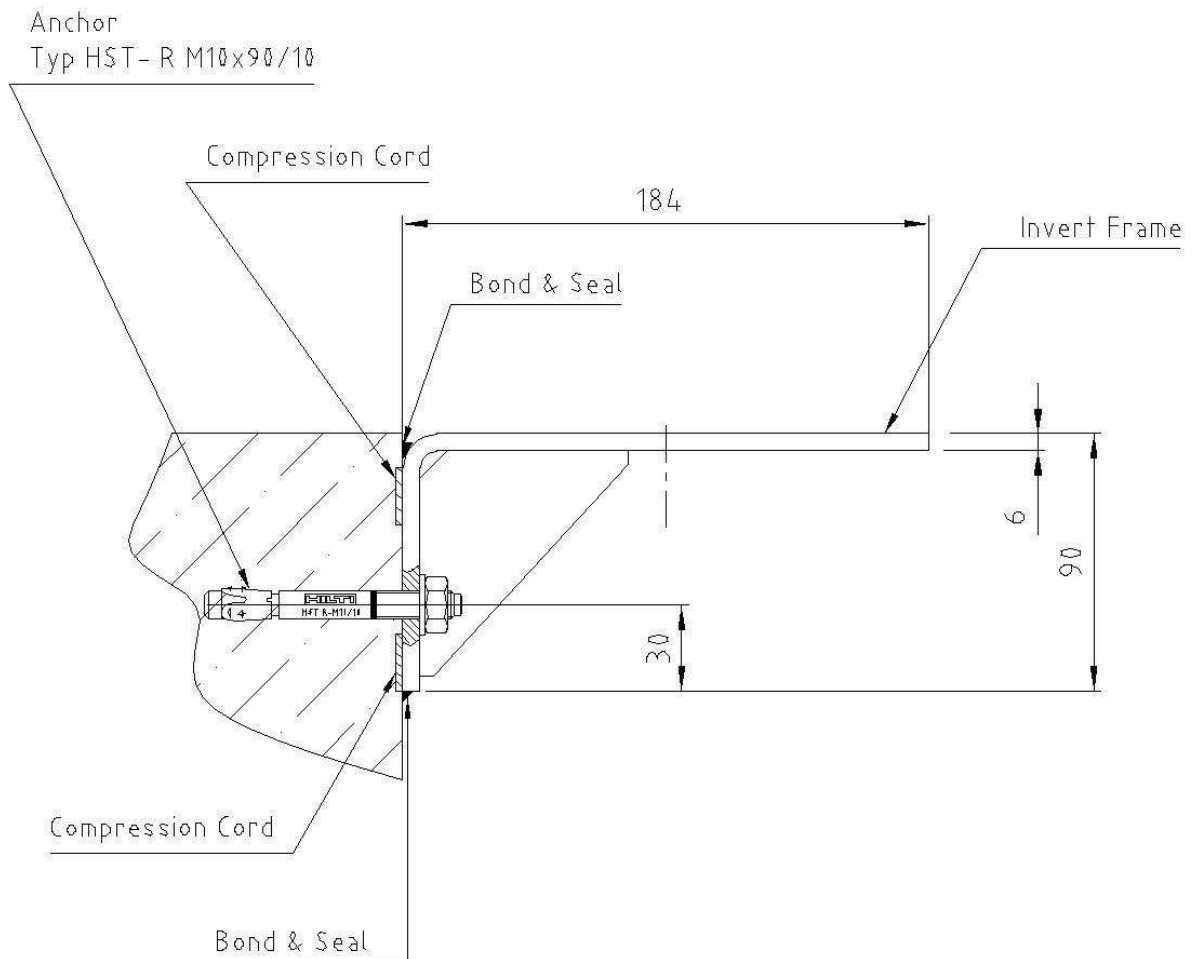
2.5.2.2 Invert Frame 100 T2



Mounting Tolerance: Flatness Tolerance + / - 2mm over entire length

Description	Material Invert Frame
IFV2A100-T2	SS 304
IFV4A100-T2	SS 316

2.5.2.3 Invert Frame 150 T2

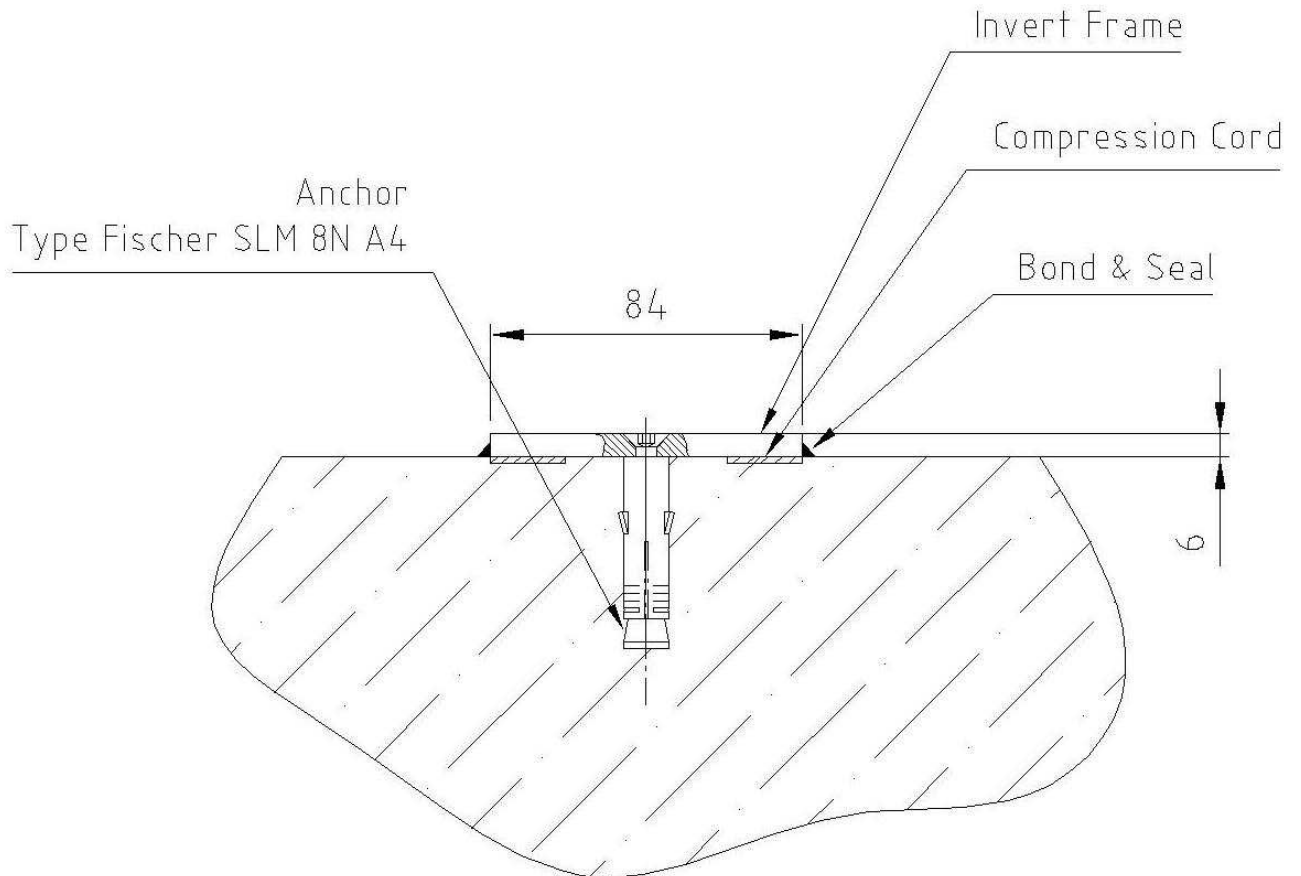


Mounting Tolerance: Flatness Tolerance + / - 2mm over entire length

Description	Material Invert Frame
IFV2A150-T2	SS 304
IFV4A150-T2	SS 316

2.5.3 Typ 3 – Floor Mounted

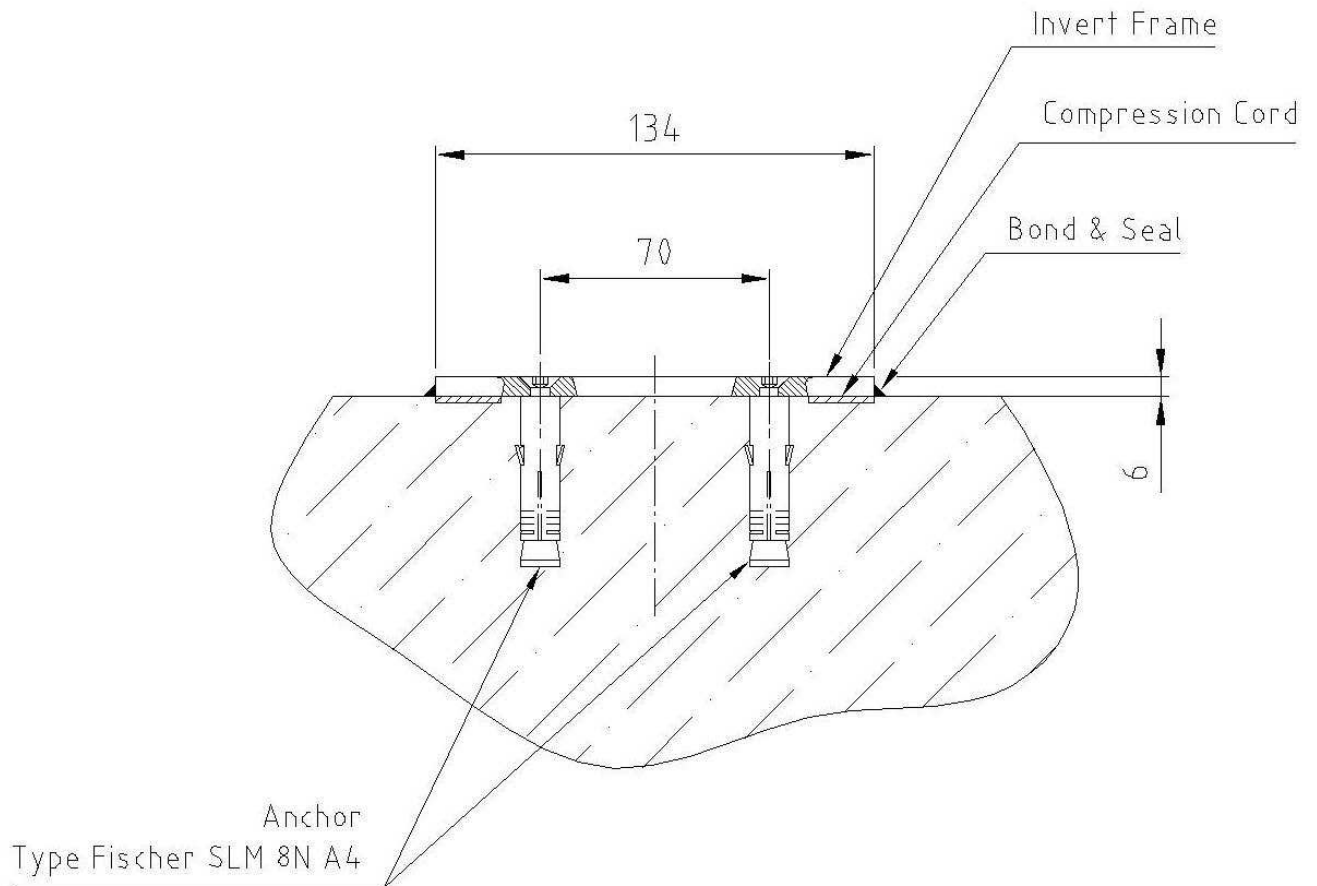
2.5.3.1 Invert Frame 50 T3



Mounting Tolerance: Flatness Tolerance + / - 2mm over entire length

Description	Material Invert Frame
IFV2A50-T3	SS 304
IFV4A50-T3	SS 316

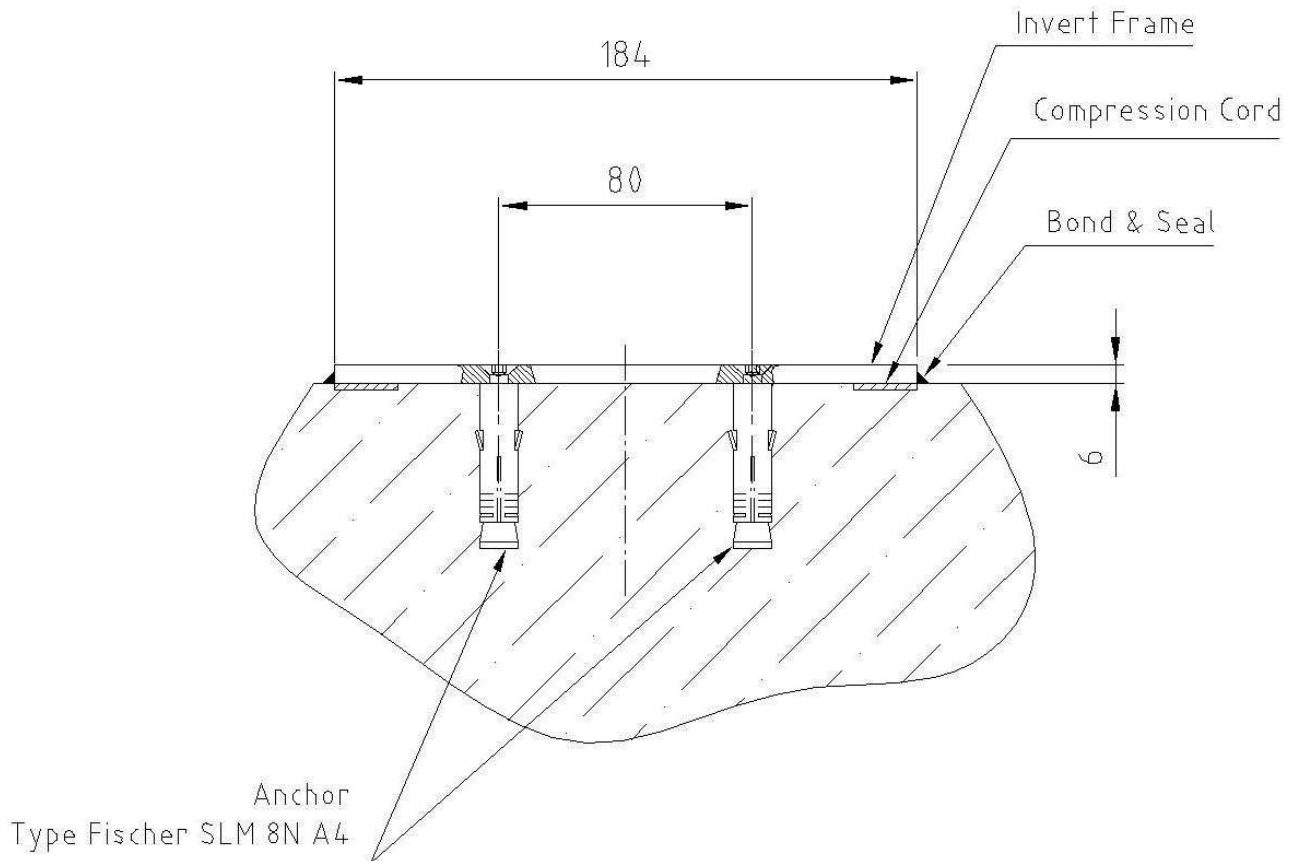
2.5.3.2 Invert Frame100 T3



Mounting Tolerance: Flatness Tolerance + / - 2mm over entire length

Description	Material Invert Frame
IFV2A100-T3	SS 304
IFV4A100-T3	SS 316

2.5.3.3 Invert Frame 150 T3



Mounting Tolerance: Flatness Tolerance + / - 2mm over entire length

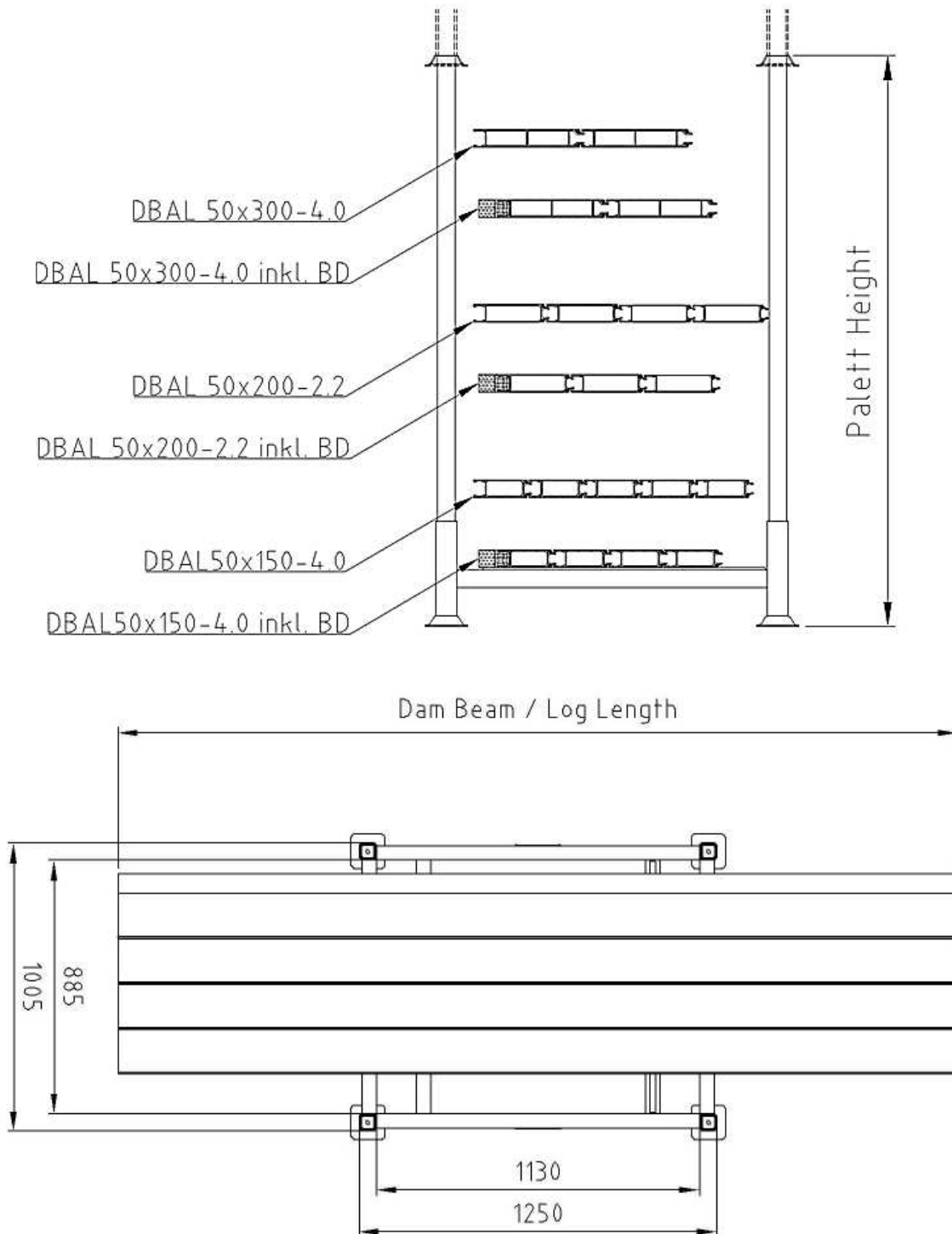
Description	Material Invert Frame
IFV2A150-T3	SS 304
IFV4A150-T3	SS 316

3 Storage

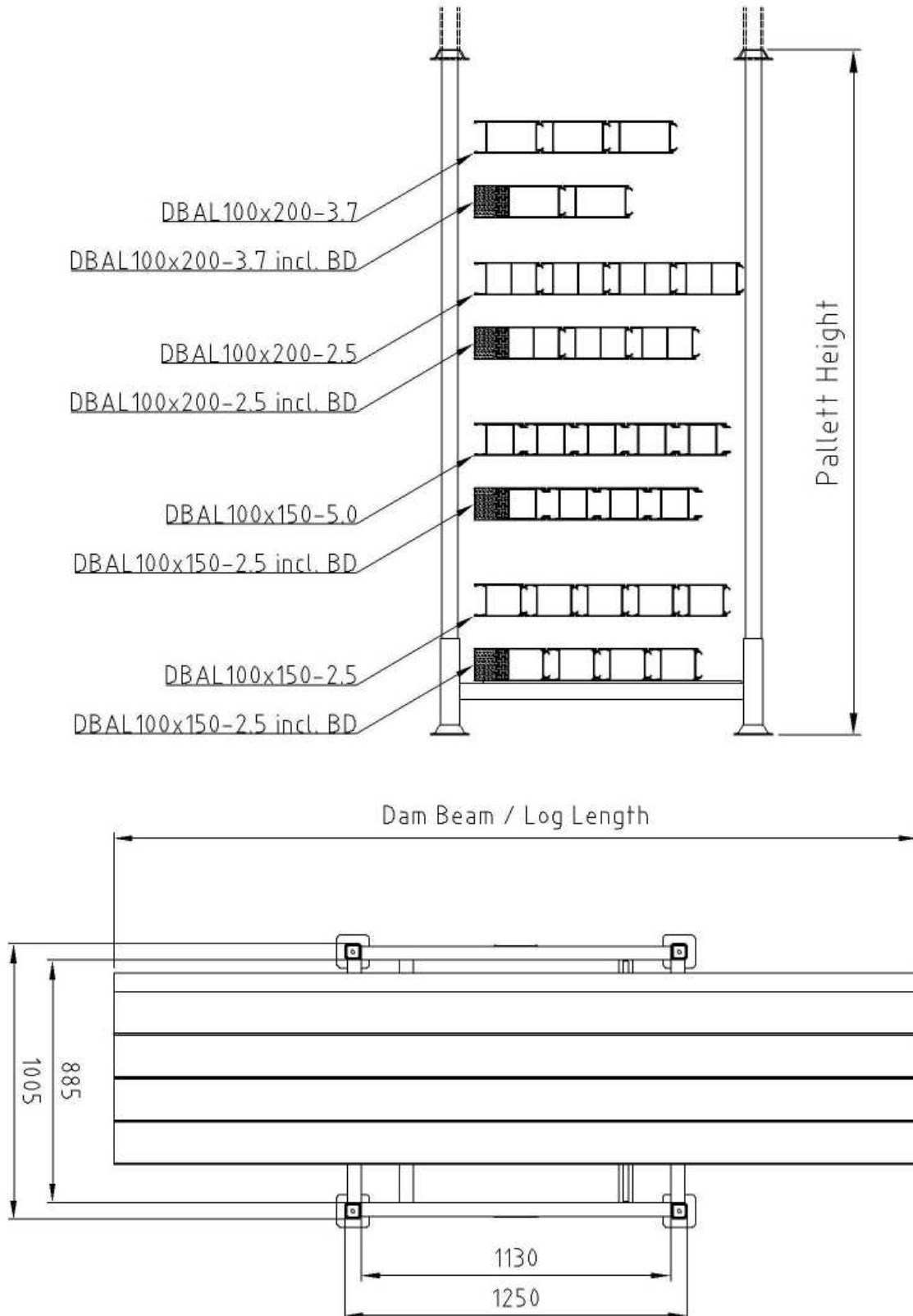
3.1 Dam Beam/Log Pallet

3.1.1 Dam Beam/Log Pallet for Dam Beams/Logs - DBAL50

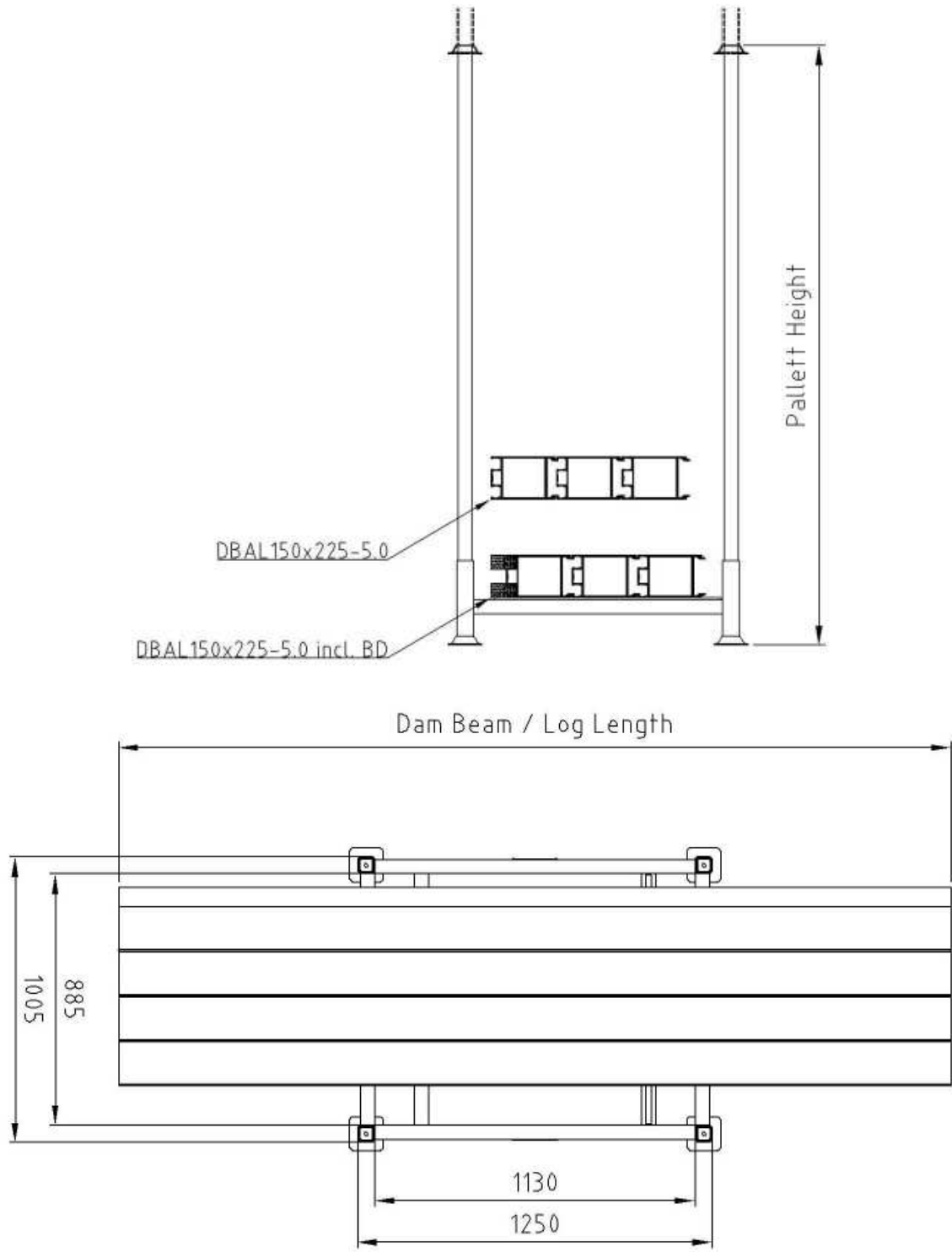
Dam Beams/Logs in Aluminium. This applies analogously for stainless steel Dam Beams/Logs



3.1.2 Dam Beam/Log Pallet for Dam Beams/Logs – DBAL100
 Dam Beams/Logs in Aluminium. This applies analogously for stainless steel Dam Beams/Logs

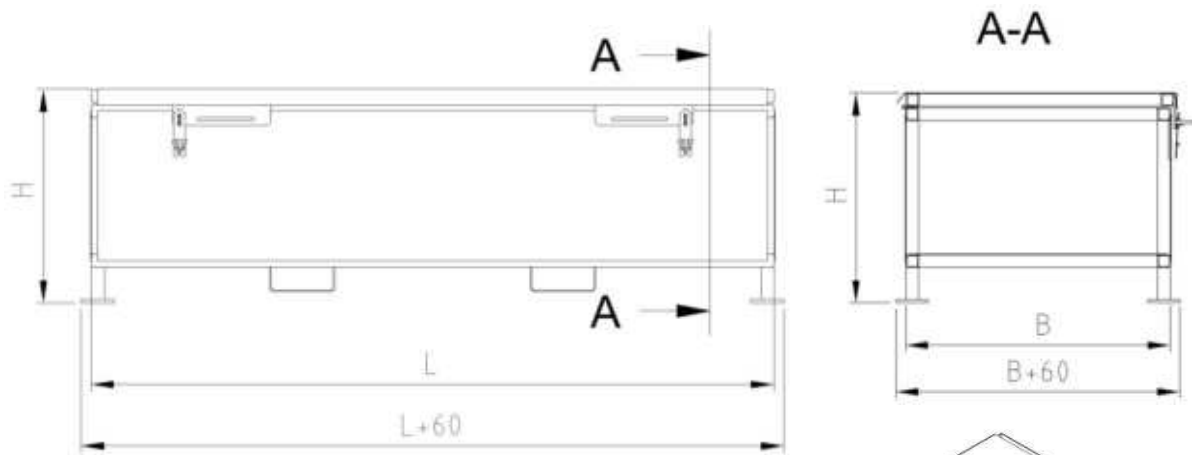


3.1.3 Dam Beam/Log Pallet for Dam Beams/Logs – DBAL150
 Dam Beams/Logs in Aluminium. This applies analogously for stainless steel Dam Beams/Logs



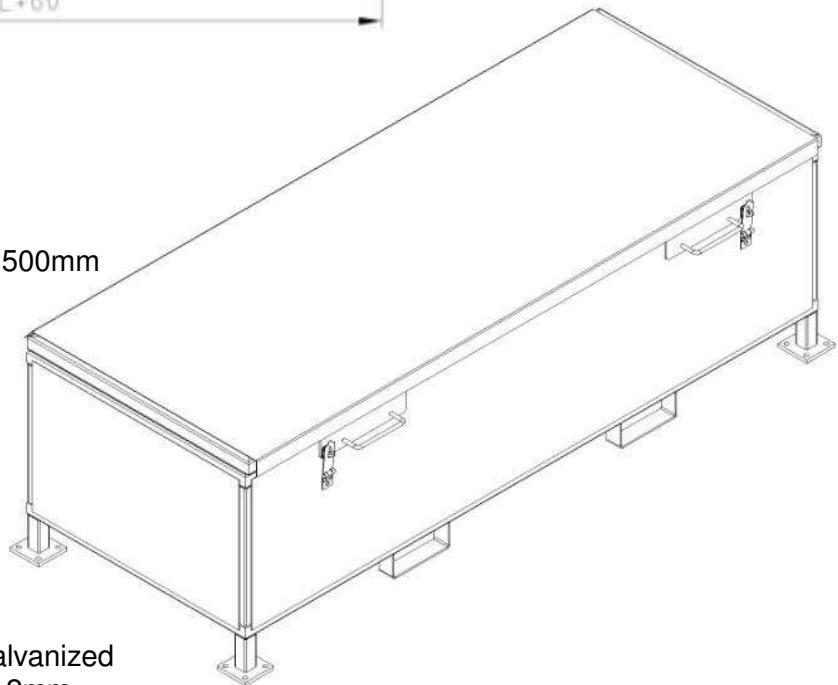
Description	Pallet Height [mm]	Dam Beam/Log	Max. Number of Layers	Number DB/Layer	
				Without BD	With BD
LT-P02-DB-800	835	DBAL50x150-4.0	9	5	4
LT-P02-DB-800	835	DBAL50x200-2.2	9	4	3
LT-P02-DB-800	835	DBAL50x300-4.0	9	2	2
LT-P02-DB-800	835	DBAL100x150-2.5	5	5	4
LT-P02-DB-800	835	DBAL100x150-5.0	5	5	4
LT-P02-DB-800	835	DBAL100x200-2.5	5	4	3
LT-P02-DB-800	835	DBAL100x200-3.7	5	4	3
LT-P02-DB-800	835	DBAL150x225-5.0	3	3	3
LT-P02-DB-1400	1435	DBAL50x150-4.0	19	5	4
LT-P02-DB-1400	1435	DBAL50x200-2.2	19	4	3
LT-P02-DB-1400	1435	DBAL50x300-4.0	19	2	2
LT-P02-DB-1400	1435	DBAL100x150-2.5	10	5	4
LT-P02-DB-1400	1435	DBAL100x150-5.0	10	5	4
LT-P02-DB-1400	1435	DBAL100x200-2.5	10	4	3
LT-P02-DB-1400	1435	DBAL100x200-3.7	10	4	3
LT-P02-DB-1400	1435	DBAL150x225-5.0	7	3	3
LT-P02-DB-2100	2135	DBAL50x150-4.0	32	5	4
LT-P02-DB-2100	2135	DBAL50x200-2.2	32	4	3
LT-P02-DB-2100	2135	DBAL50x300-4.0	32	2	2
LT-P02-DB-2100	2135	DBAL100x150-2.5	17	5	4
LT-P02-DB-2100	2135	DBAL100x150-5.0	17	5	4
LT-P02-DB-2100	2135	DBAL100x200-2.5	17	4	3
LT-P02-DB-2100	2135	DBAL100x200-3.7	17	4	3
LT-P02-DB-2100	2135	DBAL150x225-5.0	12	3	3

3.2 Storage Box-LK



Standard Dimensions
B x H: 830mm x 660mm

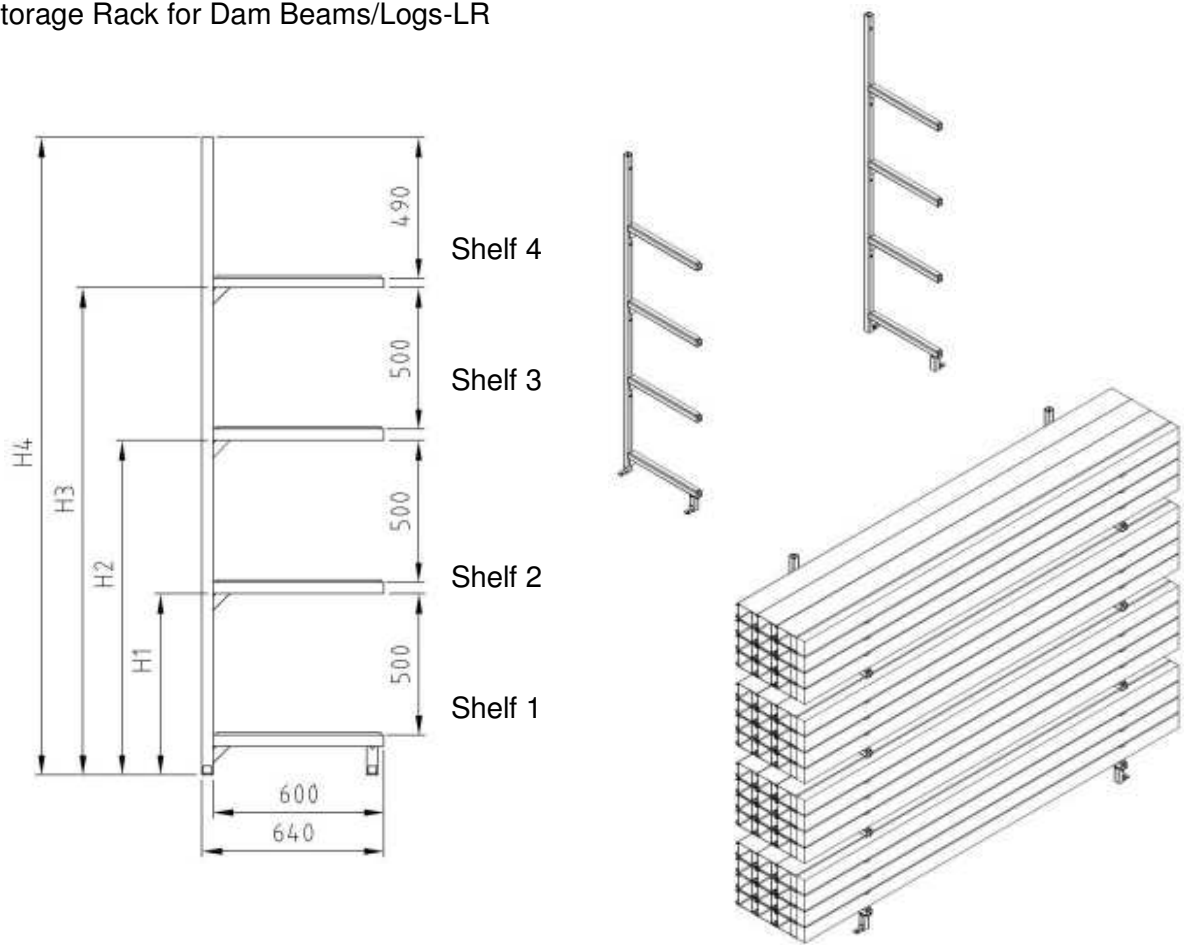
in three different lengths
L: 2.250mm / 2.750mm / 3.500mm



Material:
Subconstruction S235 hot galvanized
Planking aluminium sheet d=2mm

Dam Beam/Log	Max. Number Layer	Number DB/Layer	
		Without BD	With BD
DBAL50x150-4.0	8	5	4
DBAL50x200-2.2	8	4	3
DBAL50x300-4.0	8	2	2
DBAL100x150-2.5	4	5	4
DBAL100x150-5.0	4	5	4
DBAL100x200-2.5	4	4	3
DBAL100x200-3.7	4	4	3
DBAL150x225-5.0	3	3	3

3.3 Storage Rack for Dam Beams/Logs-LR



Standard Dimensions: H1: 640mm; H2: 1180mm; H3: 1720mm; H4: 2250mm

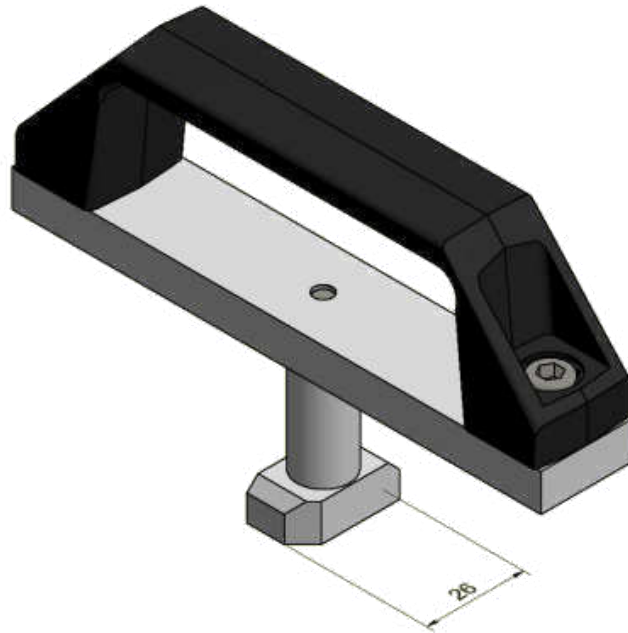
Material: tubular construction S235 hot galvanized

Capacity per shelf (600mm x 500mm):

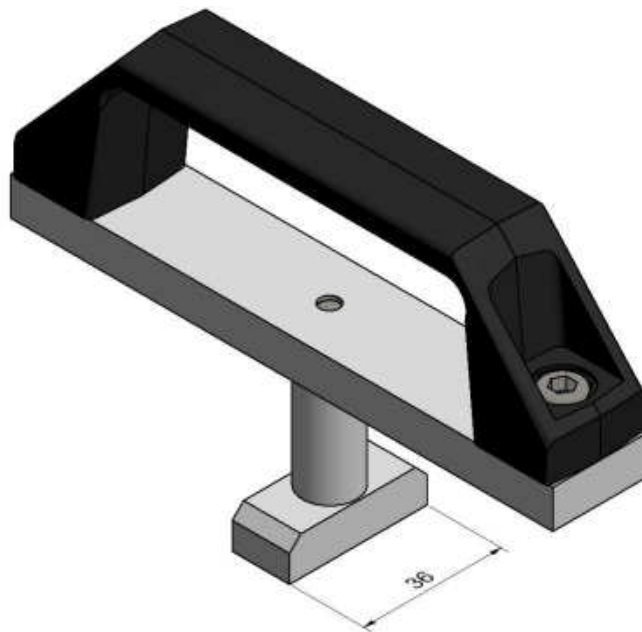
Dam Beam/Log	Max. Number Layer	Number DB/Layer	
		Without BD	With BD
DBAL50x150-4.0	8	4	3
DBAL50x200-2.2	8	3	2
DBAL50x300-4.0	8	2	2
DBAL100x150-2.5	4	4	3
DBAL100x150-5.0	4	4	3
DBAL100x200-2.5	4	3	2
DBAL100x200-3.7	4	3	2
DBAL150x225-5.0	3	2	2

3.4 Equipment

3.4.1 Extracting Tool

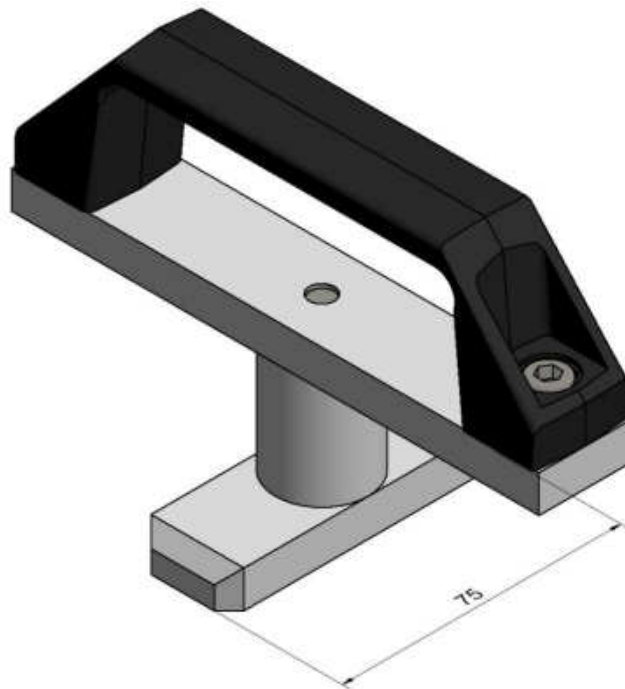


AW50-26

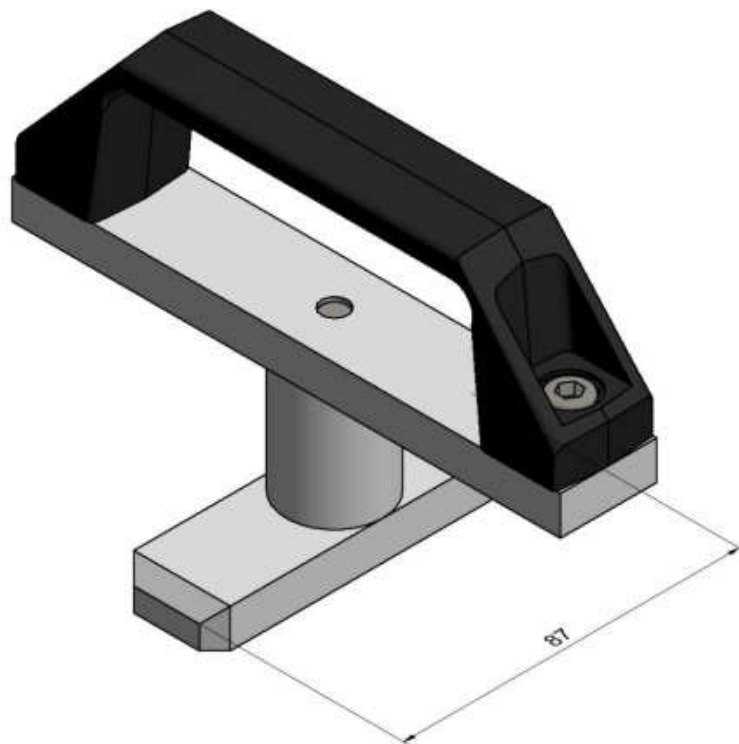


AW50-36

Tool	Dam Beam/Log
AW50-26	Dam Beam DBAL 50x150-4.0
AW50-26	Dam Beam DBAL 50x200-2.2
AW50-36	Dam Beam DBAL 50x300-4.0

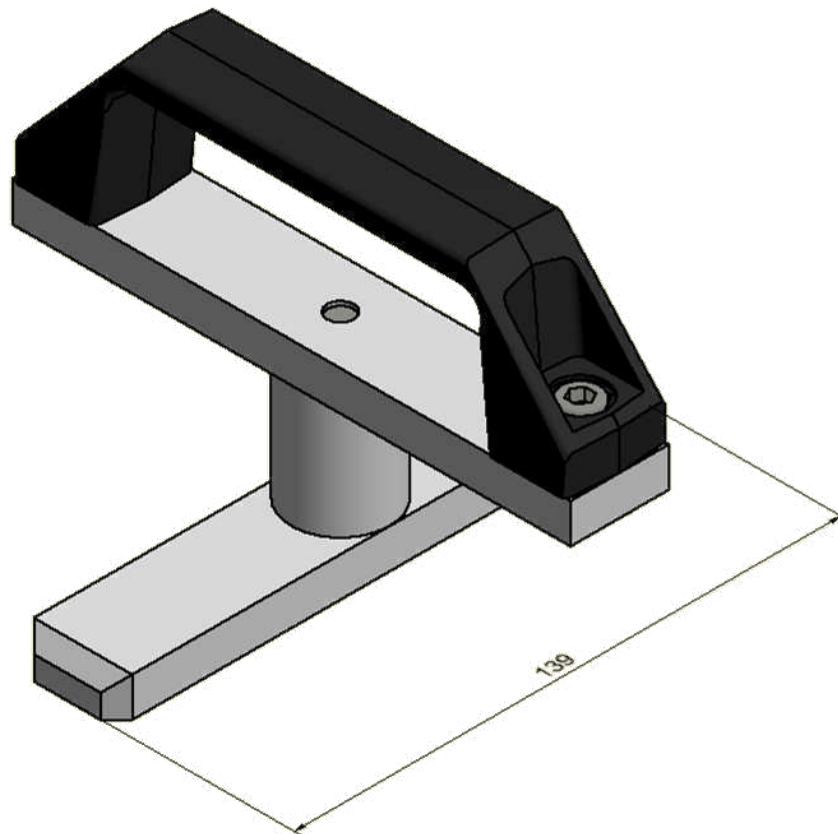


AW100-75



AW100-87

Tool	Dam Beam/Log
AW100-75	Dam Beam DBAL 100x150-2.5
AW100-75	Dam Beam DBAL 100x200-2.5
AW100-75	Dam Beam DBAL 100x200-3.7
AW100-87	Dam Beam DBAL 100x150-5.0

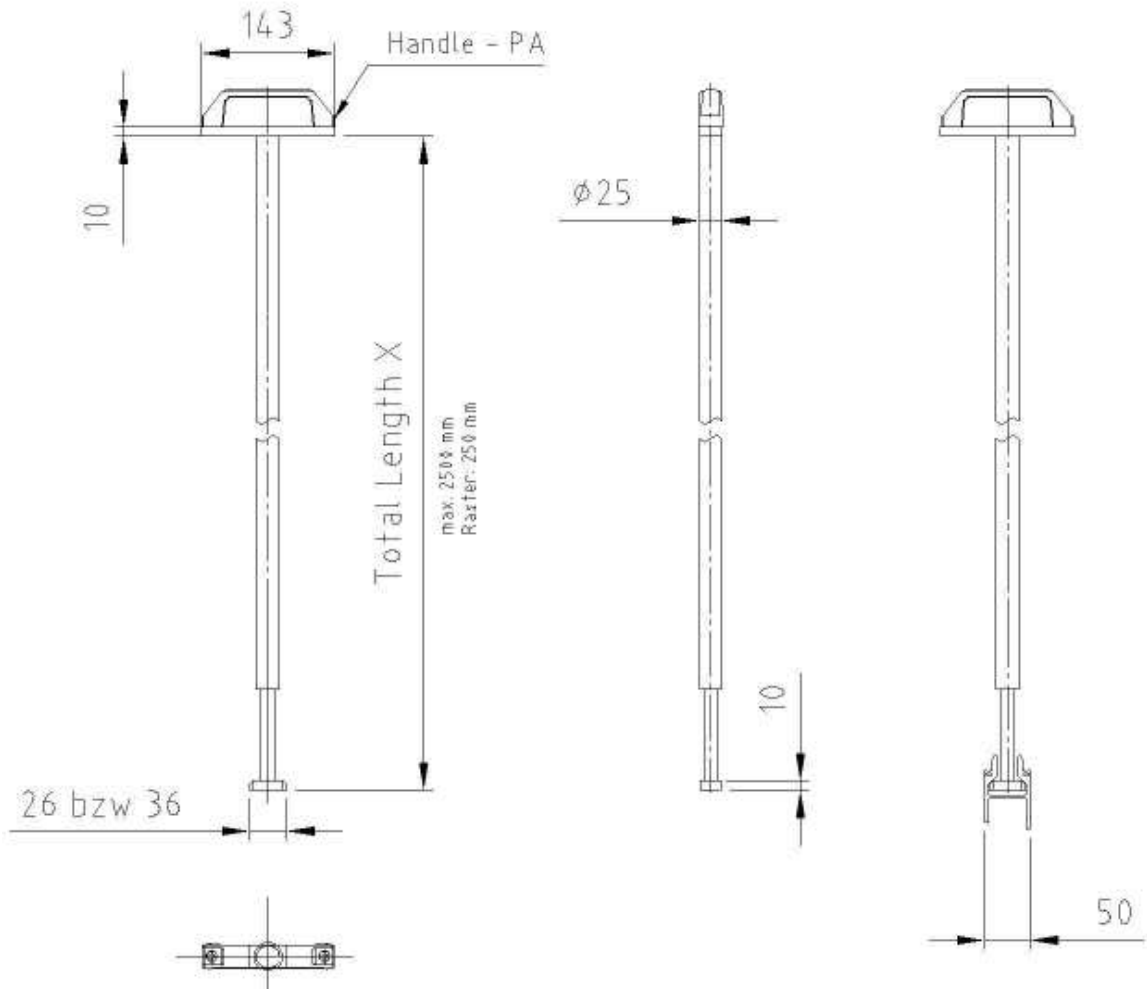


AW150-139

Tool	Dam Beam/Log
AW150-139	Dam Beam DBAL 150x225-5.0

3.4.2 Lifting Pole for Aluminium Dam Beams/Logs
AHAL50-26-1T

AHAL50-36-1T



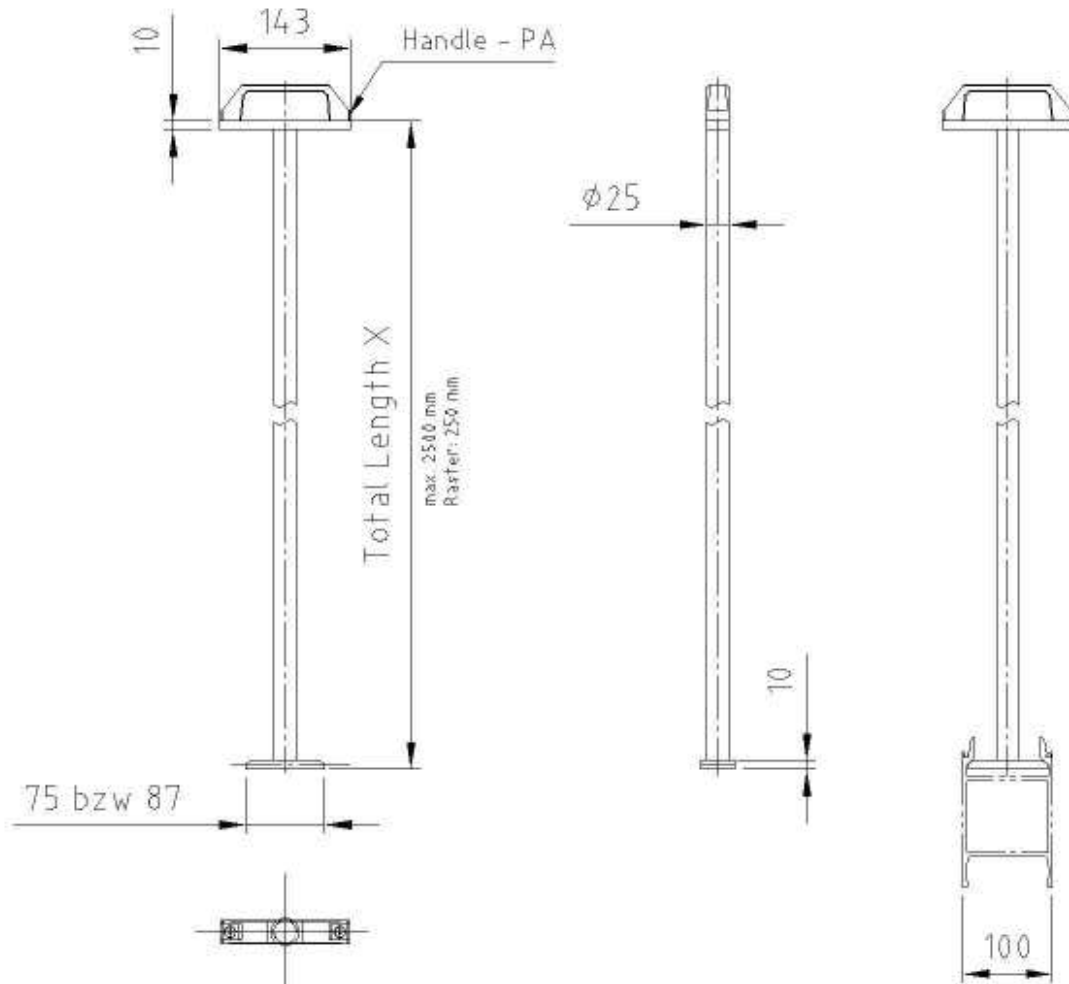
AHAL26-1T for use of DB 50x150-4.0 / 50x200-2.2

AHAL36-1T for use of DB 50x300-4.0

Description	Material	Size X specify in mm
AHAL50-26-1T	Aluminium	
AHAL50-36-1T	Aluminium	

AHAL100-75-1T

AHAL100-87-1T

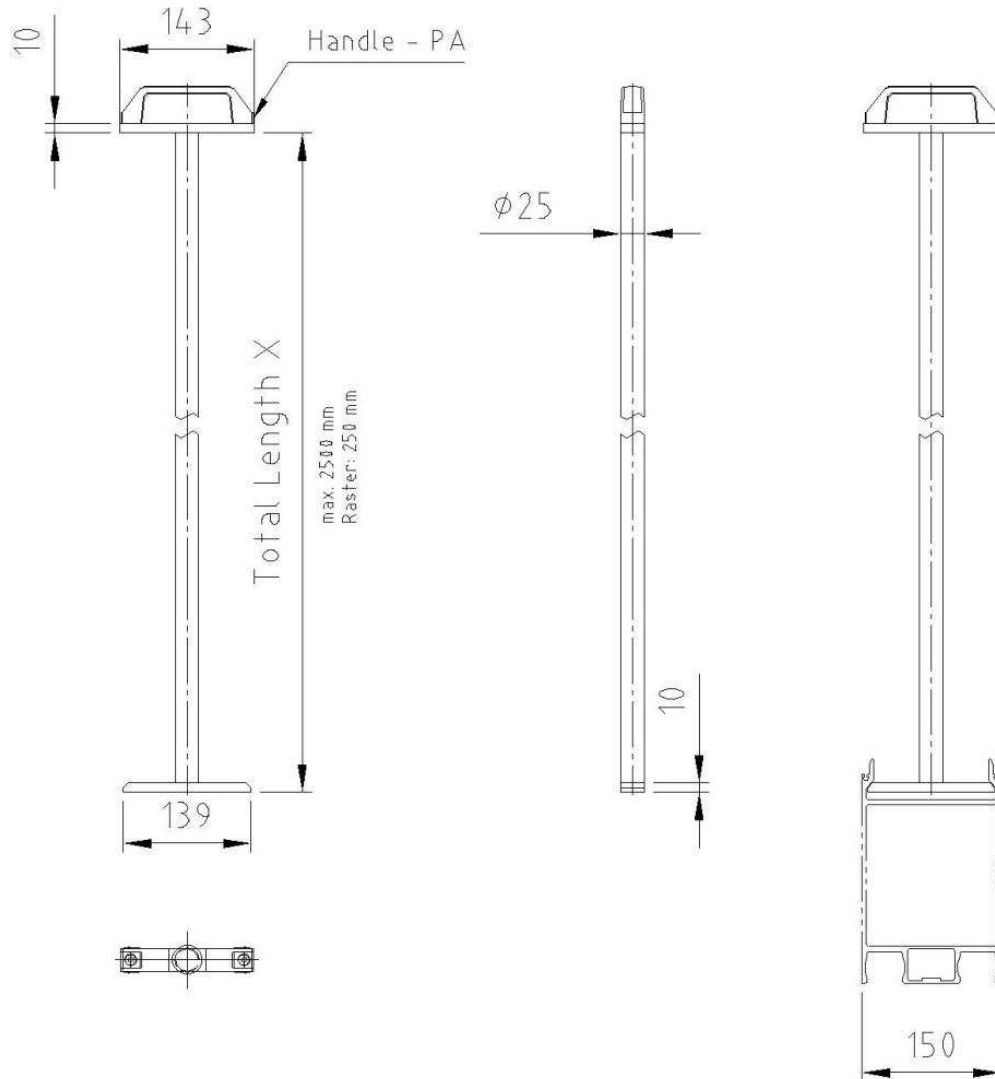


AHAL100-75-1T for use of DB 100x150-2.5 / 100x200-2.5 / 100x200-3.7

AHAL100-87-1T for use of DB 100x150-5.0

Description	Material	Size X specify in mm
AHAL100-75-1T	Aluminium	
AHAL100-87-1T	Aluminium	

AHAL150-139-1T

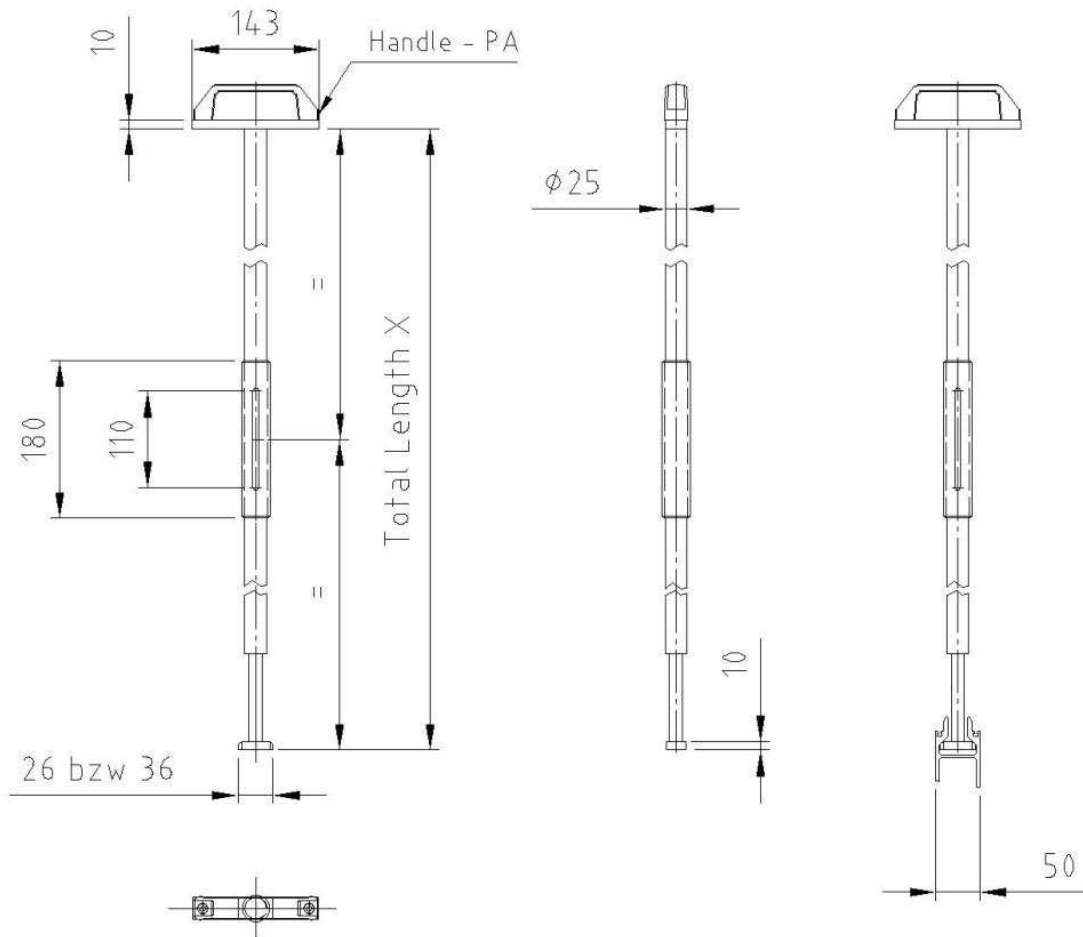


AHAL150-139-1T for use of DB 150x225-5.0

Description	Material	Size X specify in mm
AHAL150-139-1T	Aluminium	

AHAL50-26-2T

AHAL50-36-2T



Total Length X
3000 2x = 1500
3500 2x = 1750
4000 2x = 2000

AHAL50-26-2T for use of DB

50x150-4.0 / 50x200-2.2

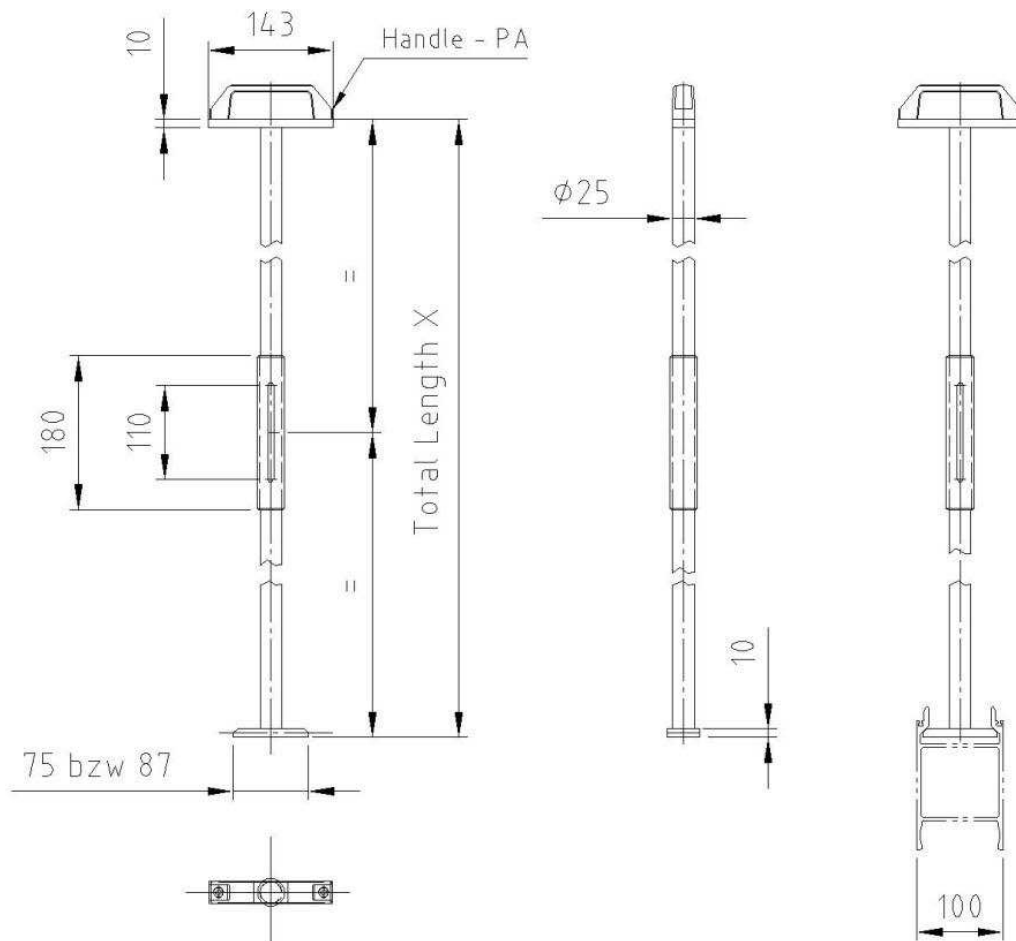
AHAL50-36-2T for use of DB

50x300-4.0

Description	Material	Size X specify in mm
AHAL50-26-2T	Aluminium	
AHAL50-36-2T	Aluminium	

AHAL100-75-2T

AHAL100-87-2T



Total Length X
3000 2x = 1500
3500 2x = 1750
4000 2x = 2000

AHAL100-75-2T for use of DB

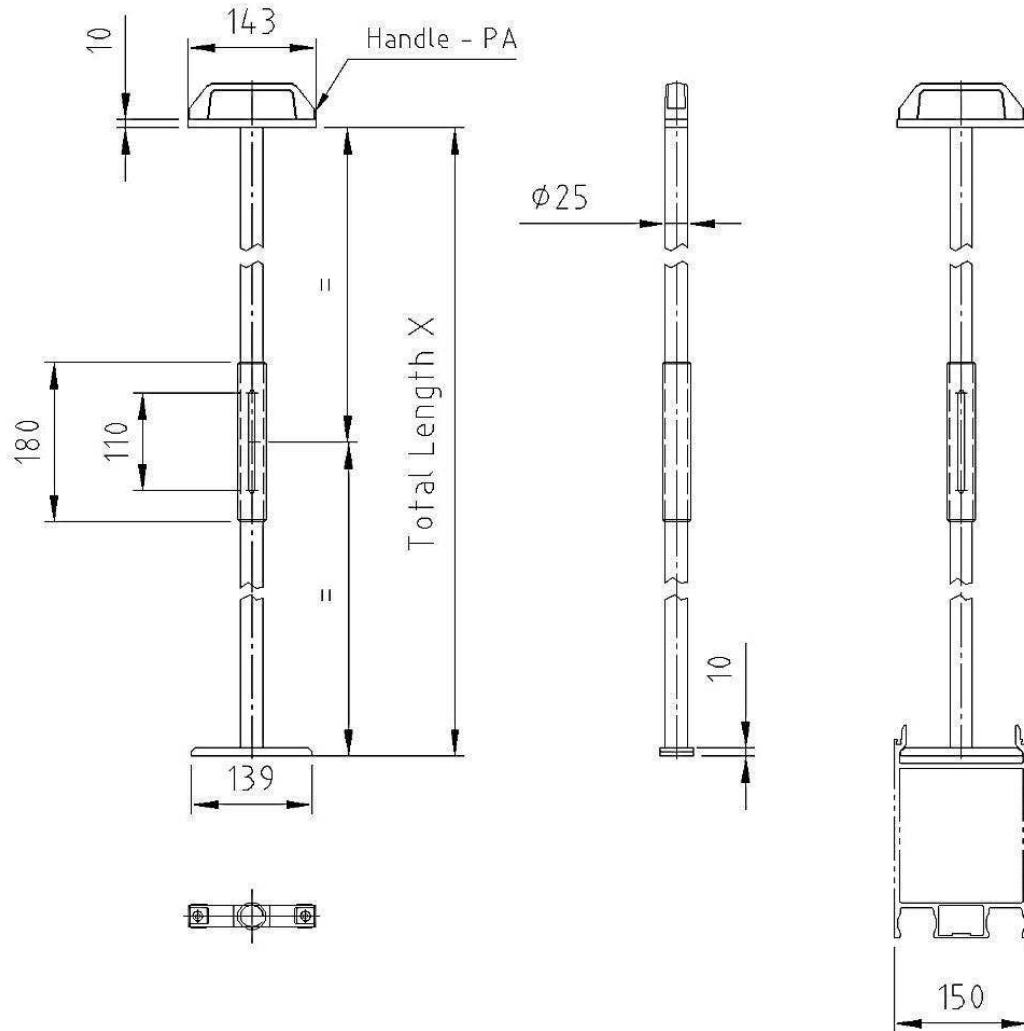
100x150-2.5

100x200-2.5 / 100x200-3.7

AHAL100-87-2T for use of DB 100x150-5.0

Description	Material	Size X specify in mm
AHAL100-75-2T	Aluminium	
AHAL100-87-2T	Aluminium	

AHAL150-139-2T



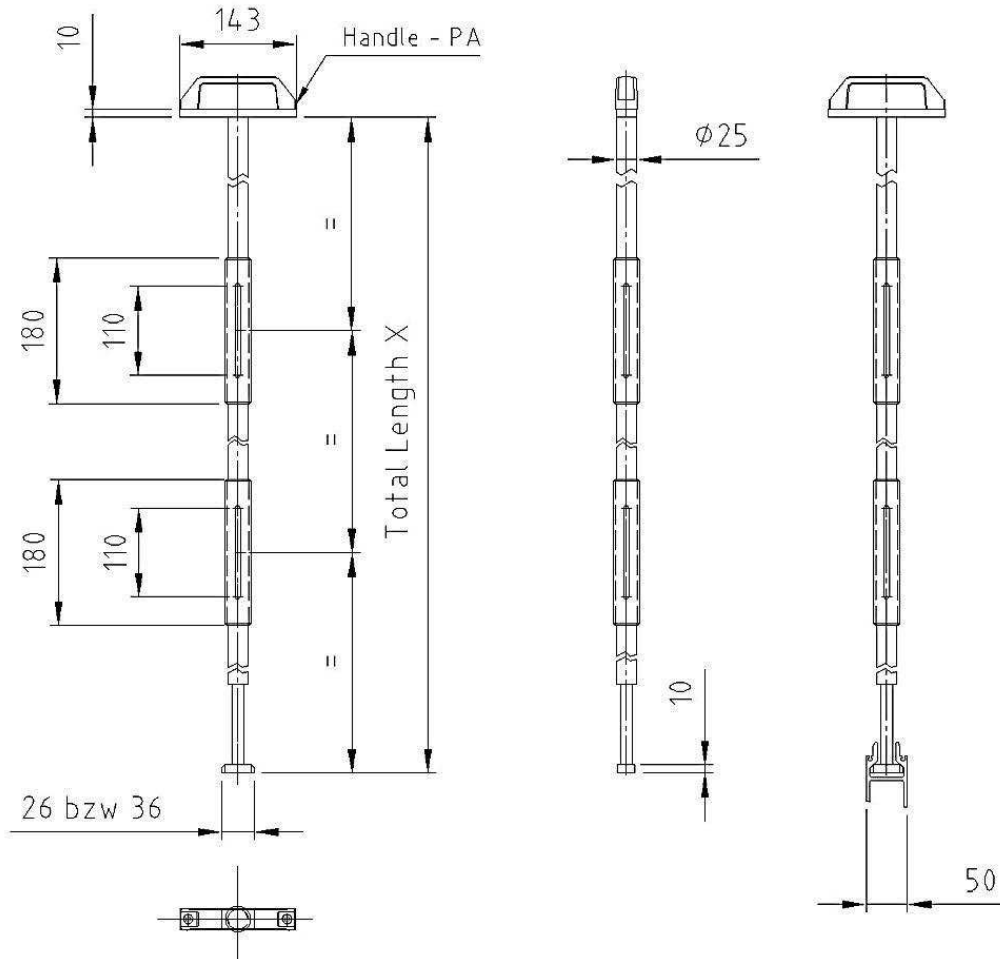
Total Length X
3000 2x = 1500
3500 2x = 1750
4000 2x = 2000

AHAL150-139-2T for use of DB 150x225-5.0

Description	Material	Size X specify in mm
AHAL150-139-2T	Aluminium	

AHAL50-26-3T

AHAL50-36-3T



Total Length X
4500 3x = 1500
5250 3x = 1750
6000 3x = 2000

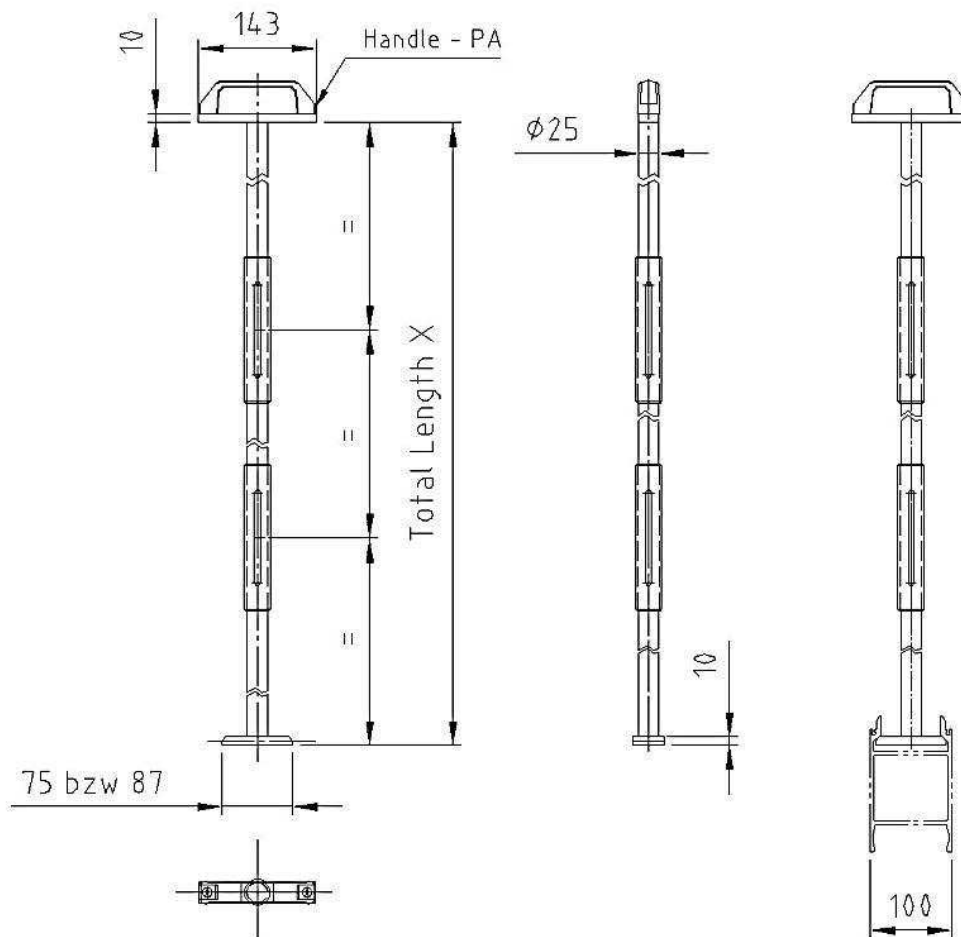
AHAL50-26-3T for use of DB 50x150-4.0 / 50x200-2.2

AHAL50-36-3T for use of DB 50x300-4.0

Description	Material	Size X specify in mm
AHAL50-26-3T	Aluminium	
AHAL50-36-3T	Aluminium	

AHAL100-75-3T

AHAL100-87-3T



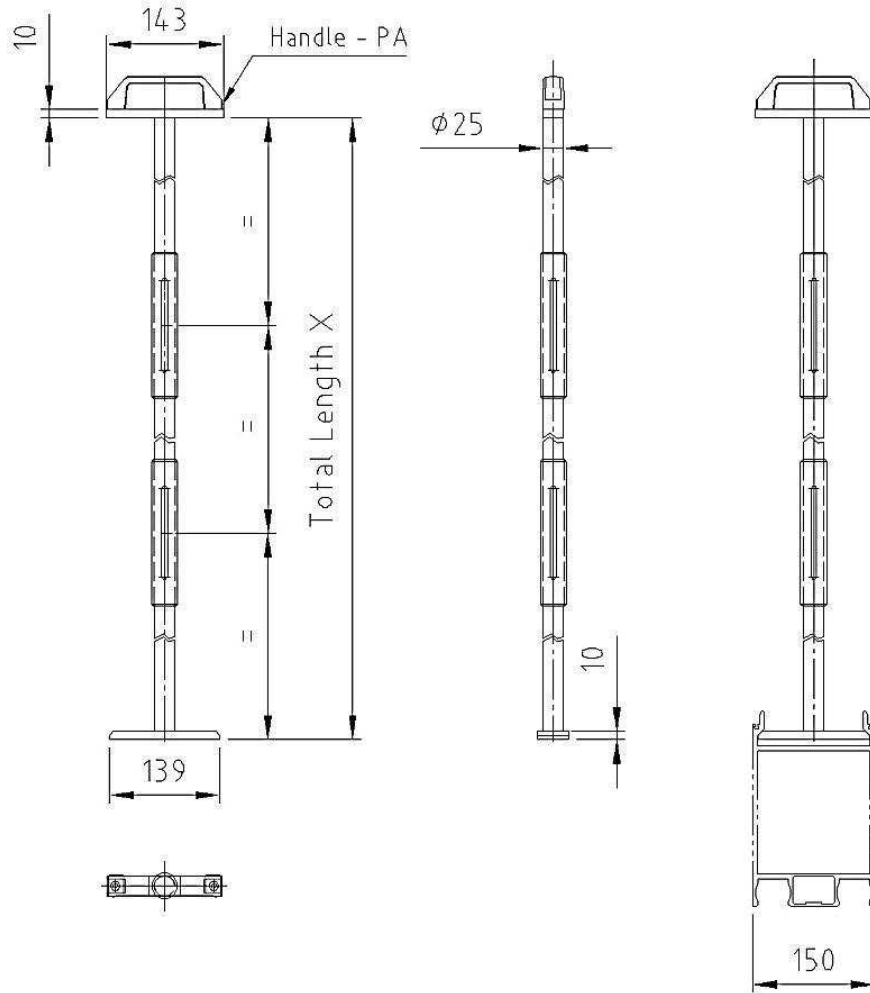
Total Length X
4500 3x = 1500
5250 3x = 1750
6000 3x = 2000

AHAL100-75-3T for use of DB 100x150-2.5
100x200-2.5 / 100x200-3.7

AHAL100-87-3T for use of DB 100x150-5.0

Description	Material	Size X specify in mm
AHAL100-75-3T	Aluminium	
AHAL100-87-3T	Aluminium	

AHAL150-139-3T

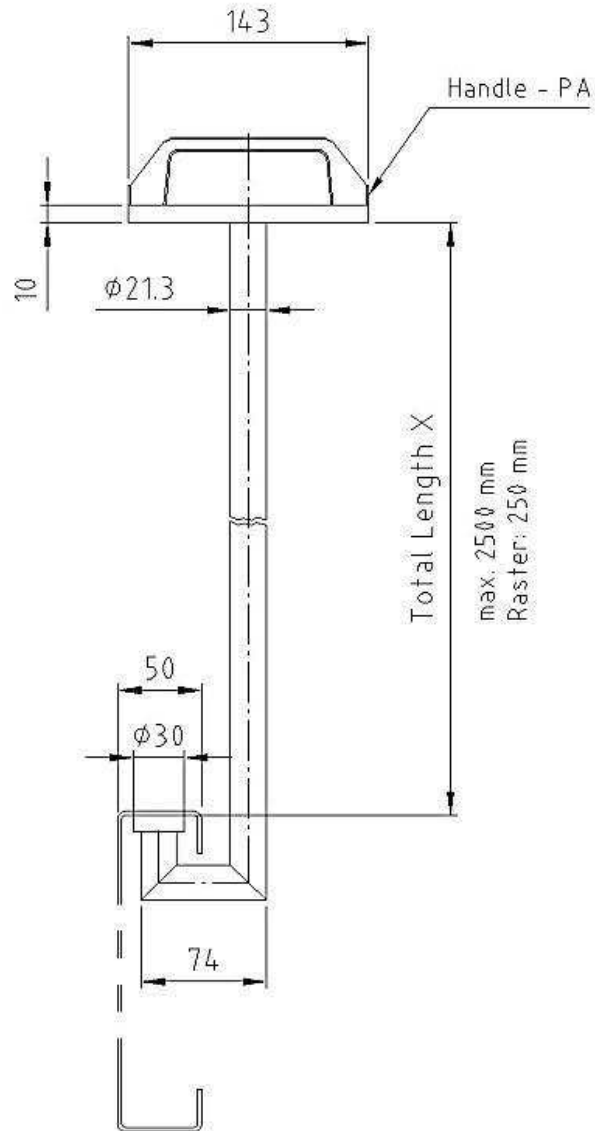


Total Length X
4500 3x = 1500
5250 3x = 1750
6000 3x = 2000

AHAL150-139-3T for use of DB 150x225-5.0

Description	Material	Size X specify in mm
AHAL150-139-3T	Aluminium	

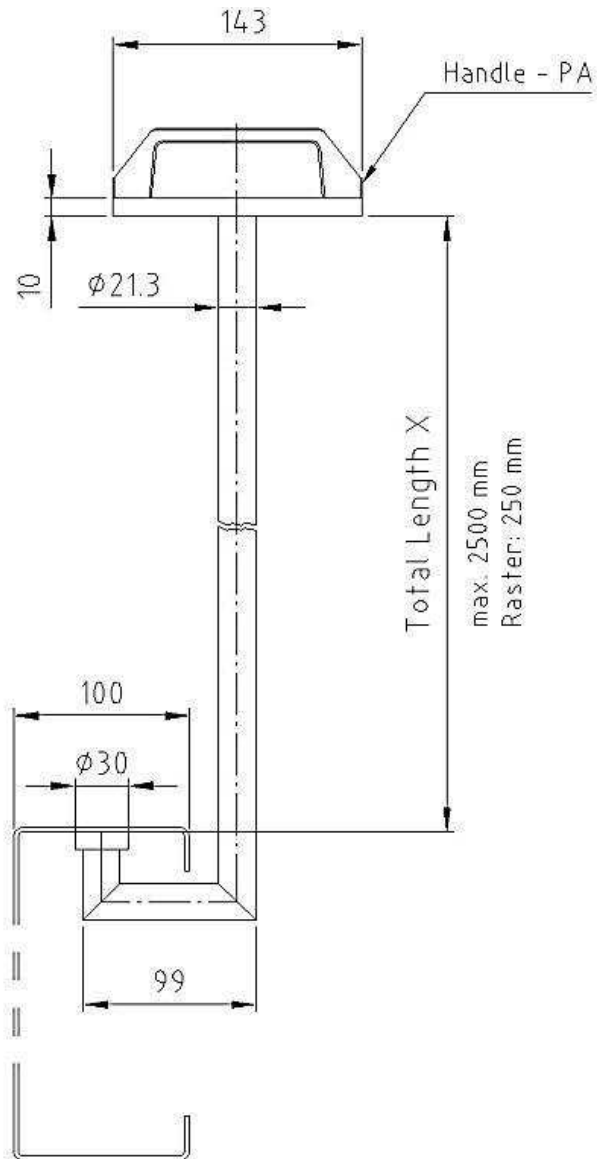
3.4.3 Lifting Pole for Stainless Steel Dam Beams/Logs
 AHV2A50-1T



AHV2A50-1T for use of DB 50x200-2.5-25 / 50x200-4.0-40

Description	Material	Size X specify in mm
AHV2A50-1T	SS 304	

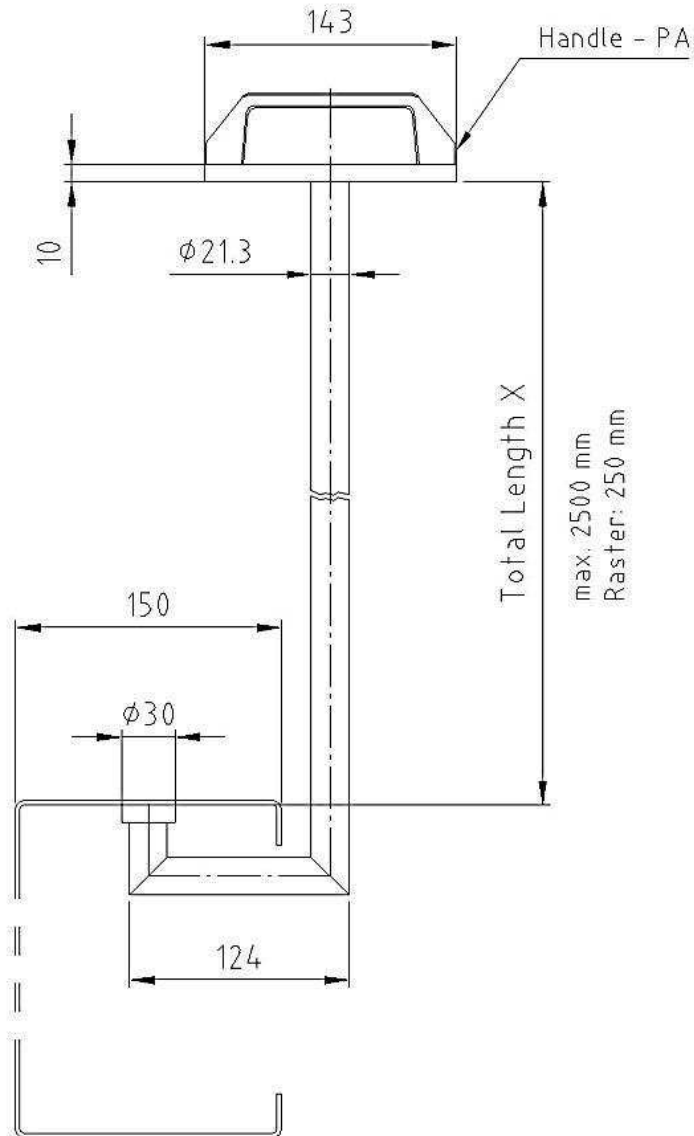
AHV2A100-1T



AHV2A100-1T for use of DB 100x200-2.5-25 / 100x200-4.0-40

Description	Material	Size X specify in mm
AHV2A100-1T	SS 304	

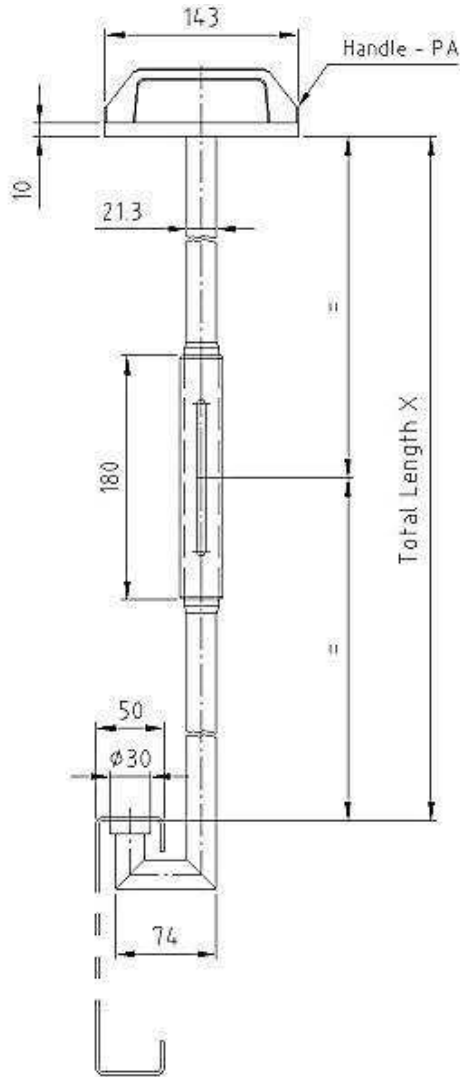
AHV2A150-1T



AHV2A150-1T for use of DB 150x200-2.5-25 / 150x200-4.0-40

Description	Material	Size X specify in mm
AHV2A150-1T	SS 304	

AHV2A50-2T



Total Length X
3000 2x = 1500
3500 2x = 1750
4000 2x = 2000

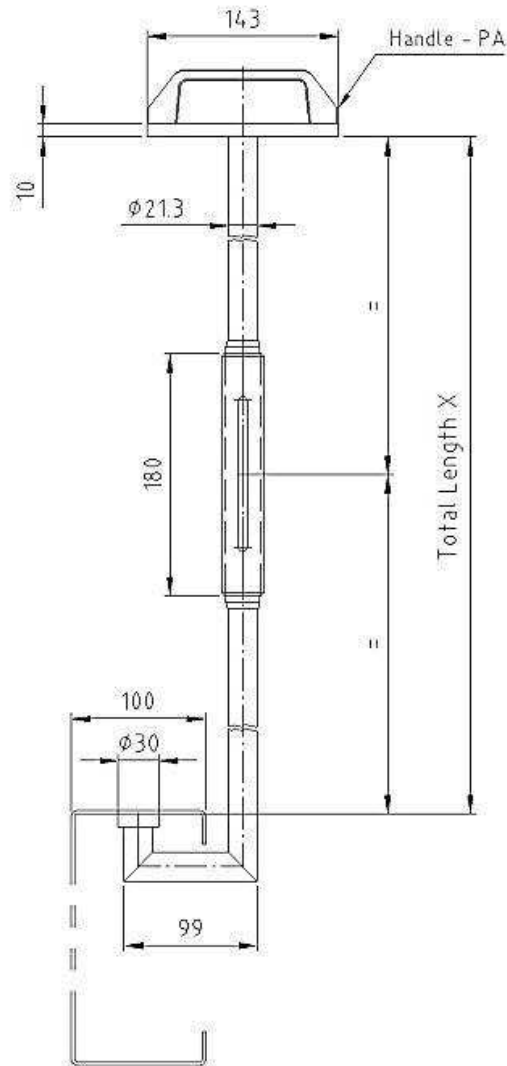
AHV2A50-2T for use of DB

50x200-2.5-25

50x200-4.0-40

Description	Material	Size X specify in mm
AHV2A50-2T	SS 304	

AHV2A100-2T



Total Length X
3000 2x = 1500
3500 2x = 1750
4000 2x = 2000

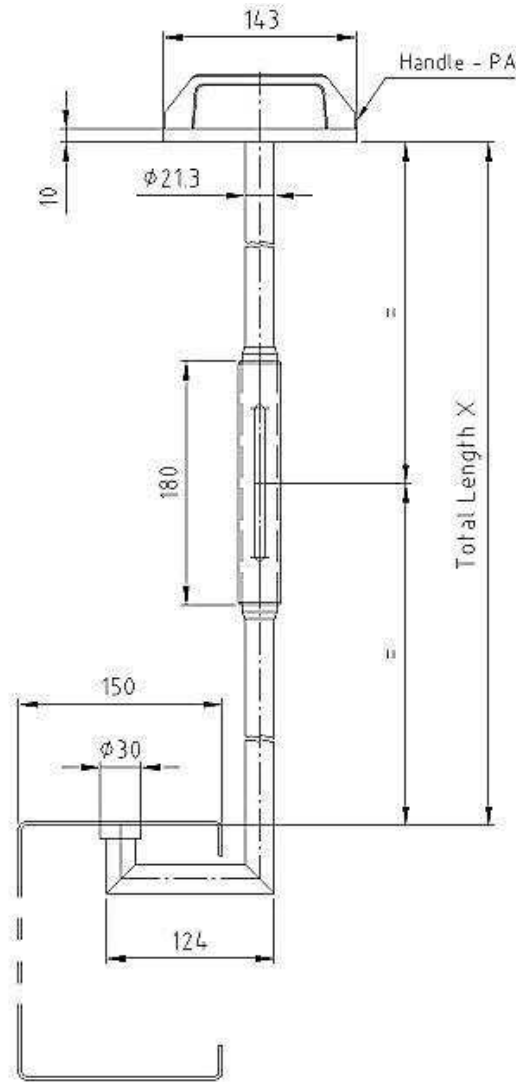
AHV2A100-2T for use of DB

100x200-2.5-25

100x200-4.0-40

Description	Material	Size X specify in mm
AHV2A100-2T	SS 304	

AHV2A150-2T



Total Length X
3000 2x = 1500
3500 2x = 1750
4000 2x = 2000

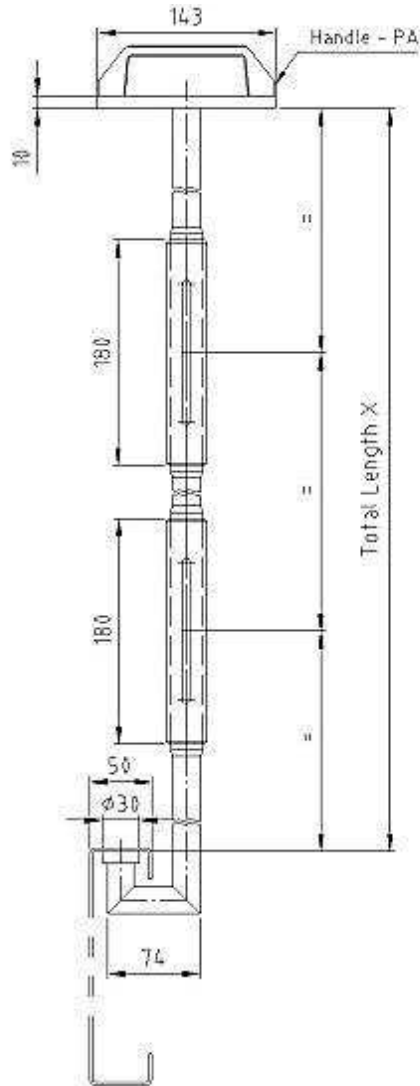
AHV2A150-2T for use of DB

150x200-2.5-25

150x200-4.0-40

Description	Material	Size X specify in mm
AHV2A150-2T	SS 304	

AHV2A50-3T



Total Length X
4500 3x = 1500
5250 3x = 1750
6000 3x = 2000

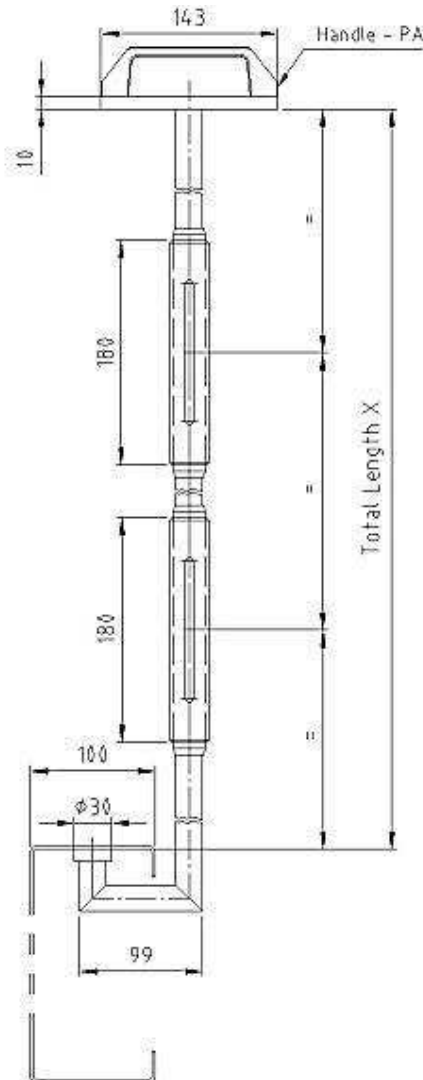
AHV2A50-3T for use of DB

50x200-2.5-25

50x200-4.0-40

Description	Material	Size X specify in mm
AHV2A50-3T	SS 304	

AHV2A100-3T



Total Length X
4500 3x = 1500
5250 3x = 1750
6000 3x = 2000

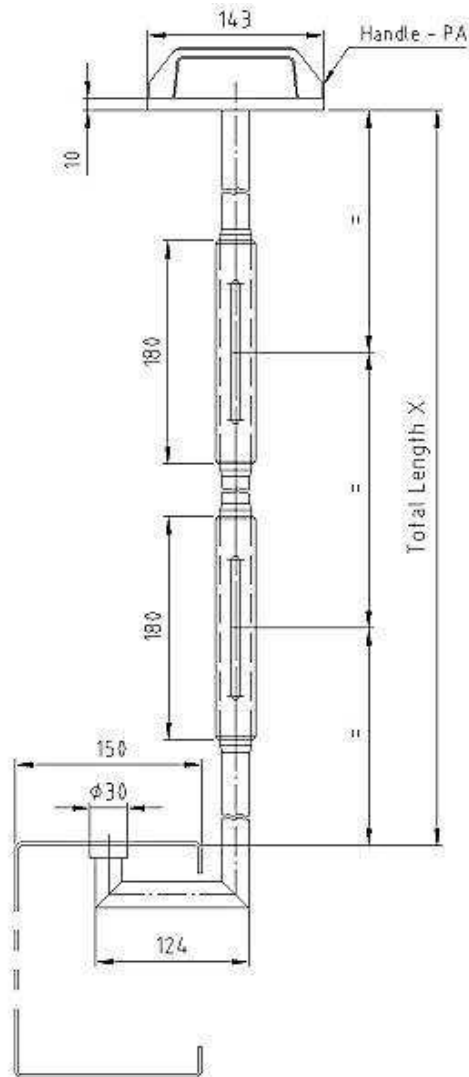
AHV2A100-3T for use of DB

100x200-2.5-25

100x200-4.0-40

Description	Material	Size X specify in mm
AHV2A100-3T	SS 304	

AHV2A150-3T



Total Length X
4500 3x = 1500
5250 3x = 1750
6000 3x = 2000

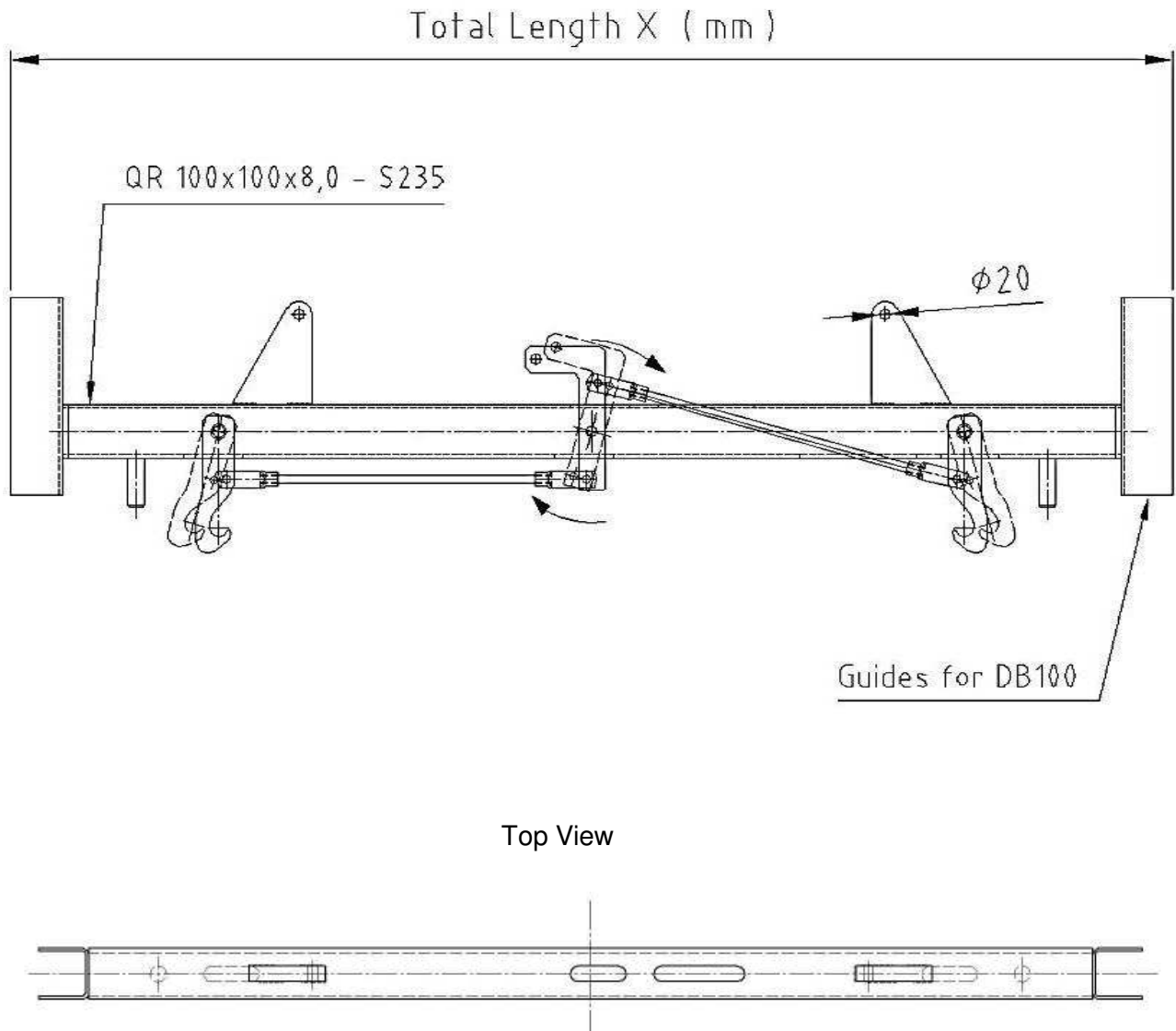
AHV2A150-2T for use of DB

150x200-2.5-25

150x200-4.0-40

Description	Material	Size X specify in mm
AHV2A150-3T	SS 304	

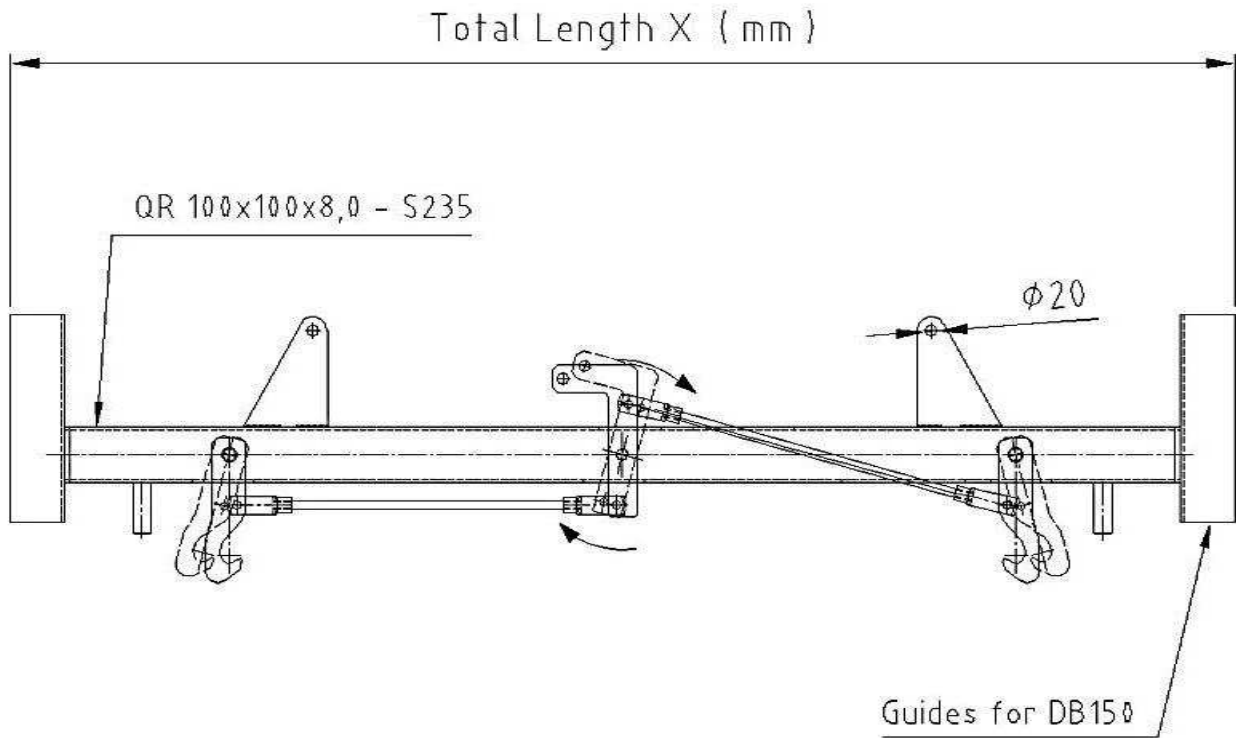
3.4.4 Hook Lifting Beam
HB100-L3 / L4 / L5 / L6



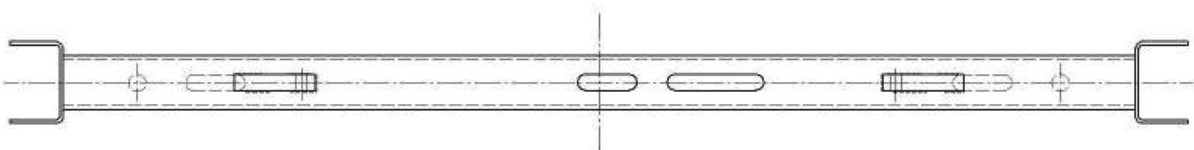
Safe working load 1.400 kg

Description	Material	Size X
HB100-L3	S235 hot galvanized	1500-3000
HB100-L4	S235 hot galvanized	3000-4000
HB100-L5	S235 hot galvanized	4000-5000
HB100-L6	S235 hot galvanized	5000-6000

HB150-L3 / L4 / L5 / L6



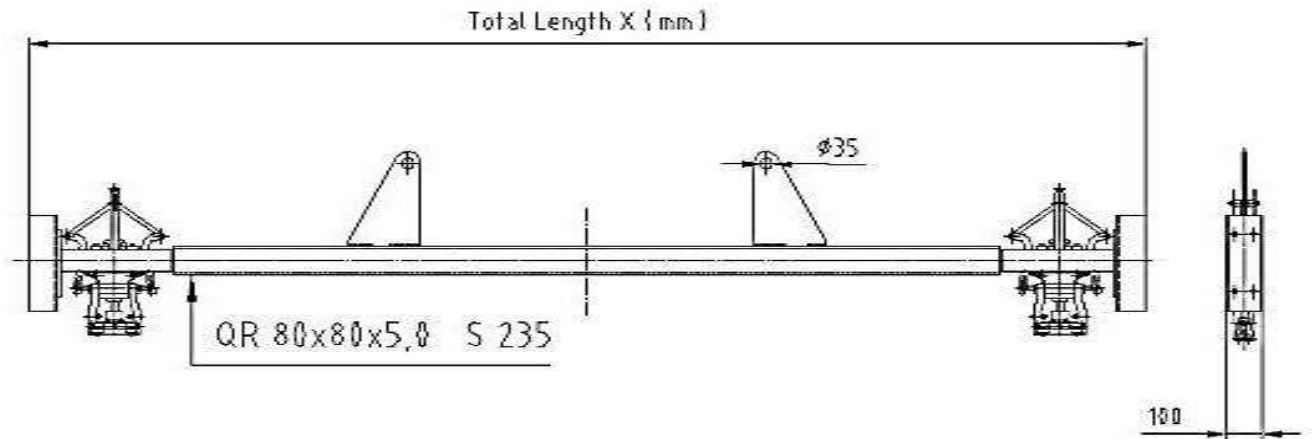
Top View



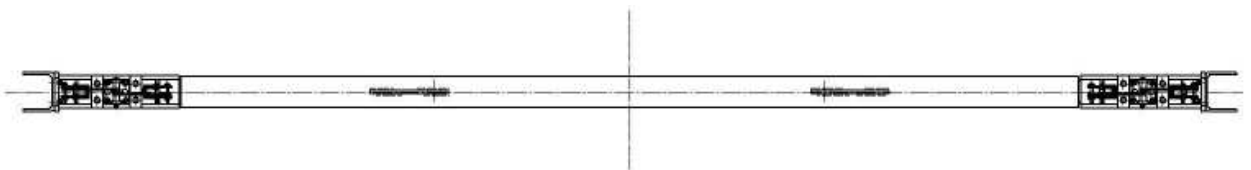
Safe working load 1.400 kg

Description	Material	Size X
HB150-L3	S235 hot galvanized	1500-3000
HB150-L4	S235 hot galvanized	3000-4000
HB150-L5	S235 hot galvanized	4000-5000
HB150-L6	S235 hot galvanized	5000-6000

3.4.5 Semi-automatic Lifting Beam for Aluminium Dam Beams/Logs
SAMW100-L3 / L4 / L5 / L6



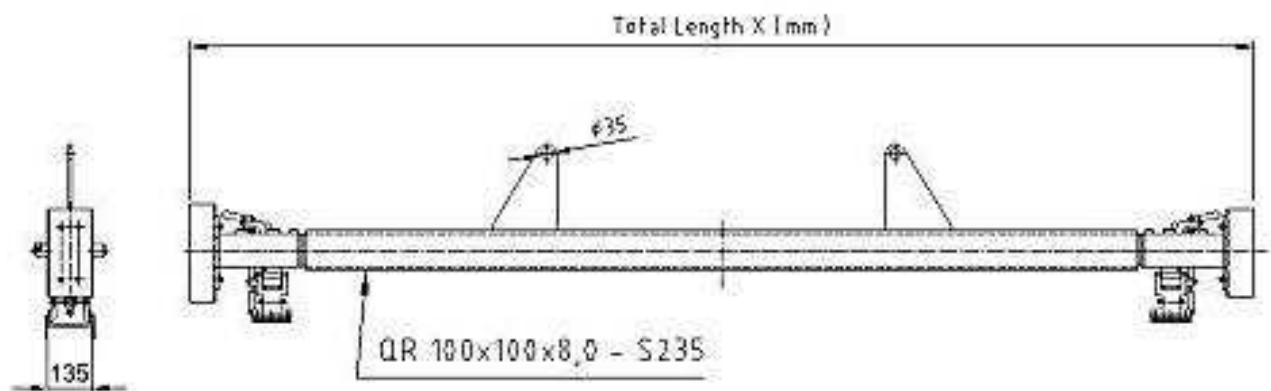
Top View



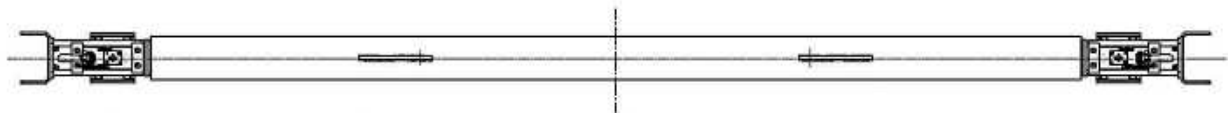
Safe working load 200 kg

Description	Material	Size X
SAMW100-L3	S235 hot galvanized	1500-3000
SAMW100-L4	S235 hot galvanized	3000-4000
SAMW100-L5	S235 hot galvanized	4000-5000
SAMW100-L6	S235 hot galvanized	5000-6000

SAMW150-L3 / L4 / L5 / L6



Top View



Safe working load 200 kg

Description	Material	Size X
SAMW150-L3	S235 hot galvanized	1500-3000
SAMW150-L4	S235 hot galvanized	3000-4000
SAMW150-L5	S235 hot galvanized	4000-5000
SAMW150-L6	S235 hot galvanized	5000-6000

4 Assembly Situations for Frames

Frames in which seals and guides are frame mounted are identified with the marking **FM**. If seals and guides are log mounted the frames are marked **LM** (see Chapter 2.1 Frames). All frames of type **FM** can also be chosen for use in drinking water sectors. These frames are marked **PW**.

The illustrated examples of the **assembly and fixing systems** are purely of an informative nature. Individual cases have numerous factors to be considered, such as: clearances, concrete quality, etc., which influence the choice of the correctly dimensioned anchor type. The responsibility for the choice and installation of the anchoring systems used rests therefore solely with the procurer.

As a rule, the **minimum concrete quality** for all assembly situations shall be **C25/30**.

All assembly situations have been designed for **on- and off-seating water pressure**. The only exception to this is the assembly situation type 3 (wall mounted on-seating). This assembly type is only designed for on-seating water pressure.

With the **tolerance data** provided assurance can be given that dam beams/logs of the same length, without functional constrictions, can be fitted. It is recommended that with a frame length of more than 2.0m type 1.2 should be chosen instead of types 1.1 or 2.

The choice of the correct frame size (50, 100, 150) depends on the one hand on the required bearing capacity of the dam beams/logs (see Chapter 2.2 Dam Beams, Dam Boards). In case of assembly situations type 4 (wall mounted off-seating) and type 5 (channel sidewall mounted), **dimensional limitations** of the frame assembly situation must be considered additionally. The lesser of the criteria (dam beam/log or frame) is decisive.

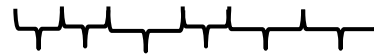
See below for how the identification code is configured:

Example 1: UV4A50-LM-T4.2



1) 2) 3) 4) 5)

Example 2: UV2A100-FMPW-T1.1



1) 2) 3) 4) 4a) 5)

- 1) Stainless steel frame
- 2) Grade of steel group
- 3) Acceptable width

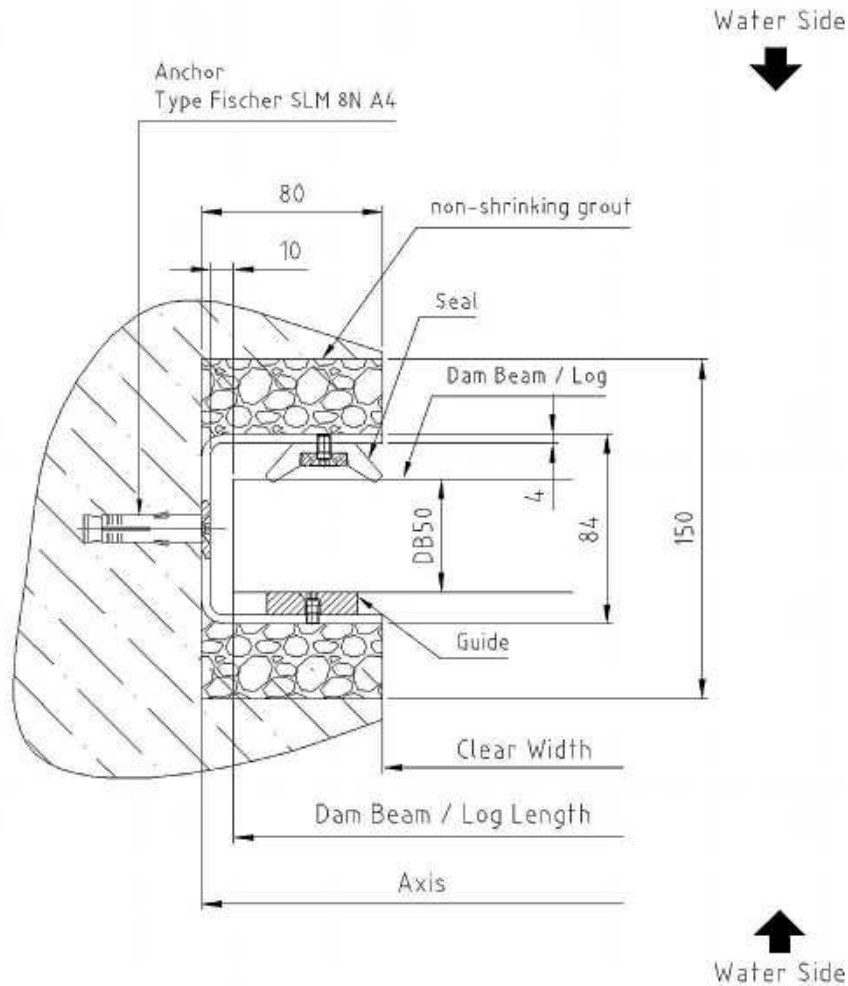
- 4) Position of seal/ guiding systems
- 4a) Where appropriate, drinking water system design
- 5) Assembly situation

For information on the **materials** for frames, please see Chapter 2.1 Frames and for seals and slide rails, please see Chapter 2.3 Seals / Slide Rails.

4.1 Mounting Types in Recess and First Concrete

4.1.1 Type 1.1 in Rebate

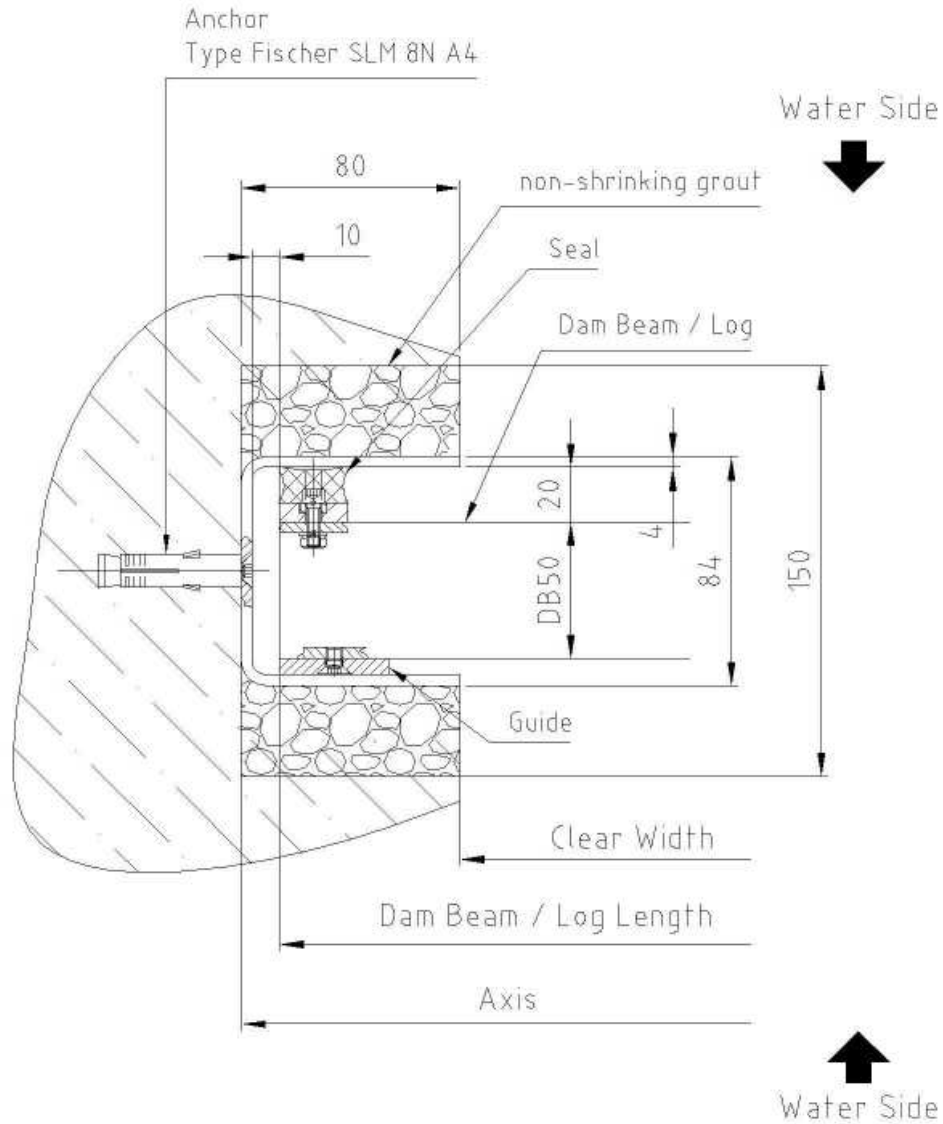
4.1.1.1 Frame 50 T1.1 FM



Mounting Tolerance:	Dimensioning
Frame Assembly - In Axis + / - 3mm - Vertically + / - 3mm - Total max. 6mm	As per Dam Beam/Log Deflection Graph

Description	Material Frame	Material Seal	Material Guide Rail
UV2A50-FM-T1.1	SS 304	EPDM	POM black
UV4A50-FM-T1.1	SS 316	EPDM	POM black
UV2A50-FMPW-T1.1	SS 304	Silicone	POM nature
UV4A50-FMPW-T1.1	SS 316	Silicone	POM nature

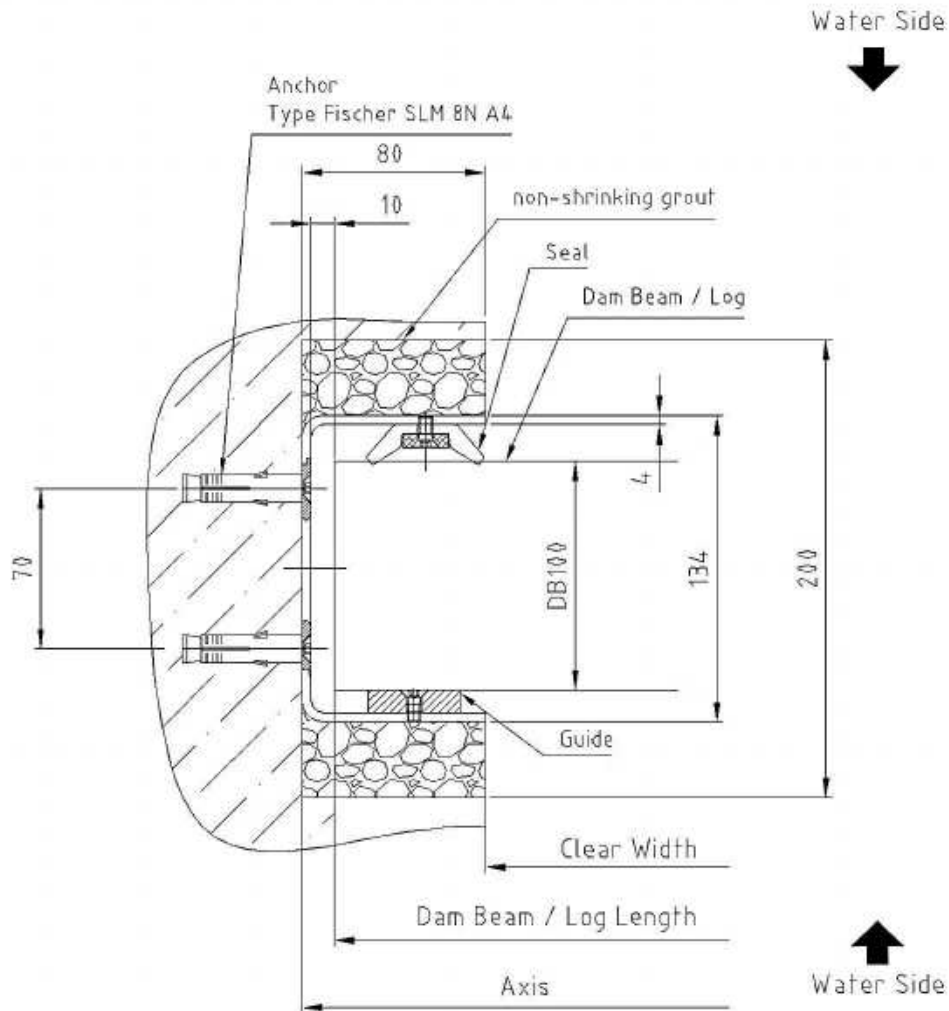
4.1.1.2 Frame 50 T1.1 LM



Mounting Tolerance:	Dimensioning
Frame Assembly - In Axis + / - 3mm - Vertically + / - 3mm - Total max. 6mm	As per Dam Beam/Log Deflection Graph

Description	Material Frame	Material Seal	Material Guide Rail
UV2A50-LM-T1.1	SS 304	EPDM	POM black
UV4A50-LM-T1.1	SS 316	EPDM	POM black

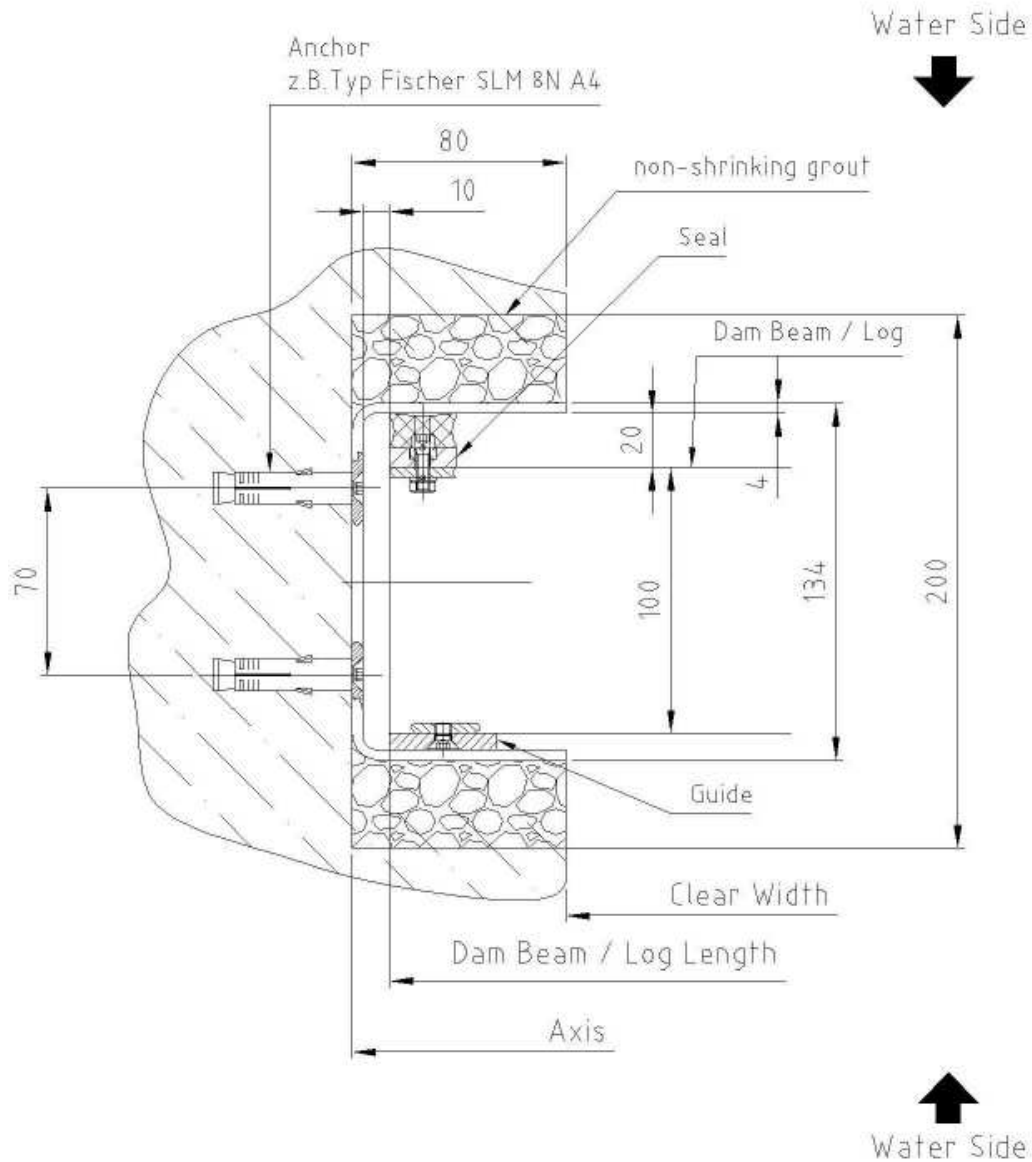
4.1.1.3 Frame 100 T1.1 FM



Mounting Tolerance:	Dimensioning
Frame Assembly - In Axis +/- 3mm - Vertically +/- 3mm - Total max. 6mm	As per Dam Beam/Log Deflection Graph

Description	Material Frame	Material Seal	Material Guide Rail
UV2A100-FM-T1.1	SS 304	EPDM	POM black
UV4A100-FM-T1.1	SS 316	EPDM	POM black
UV2A100-FMPW-T1.1	SS 304	Silicone	POM nature
UV4A100-FMPW-T1.1	SS 316	Silicone	POM nature

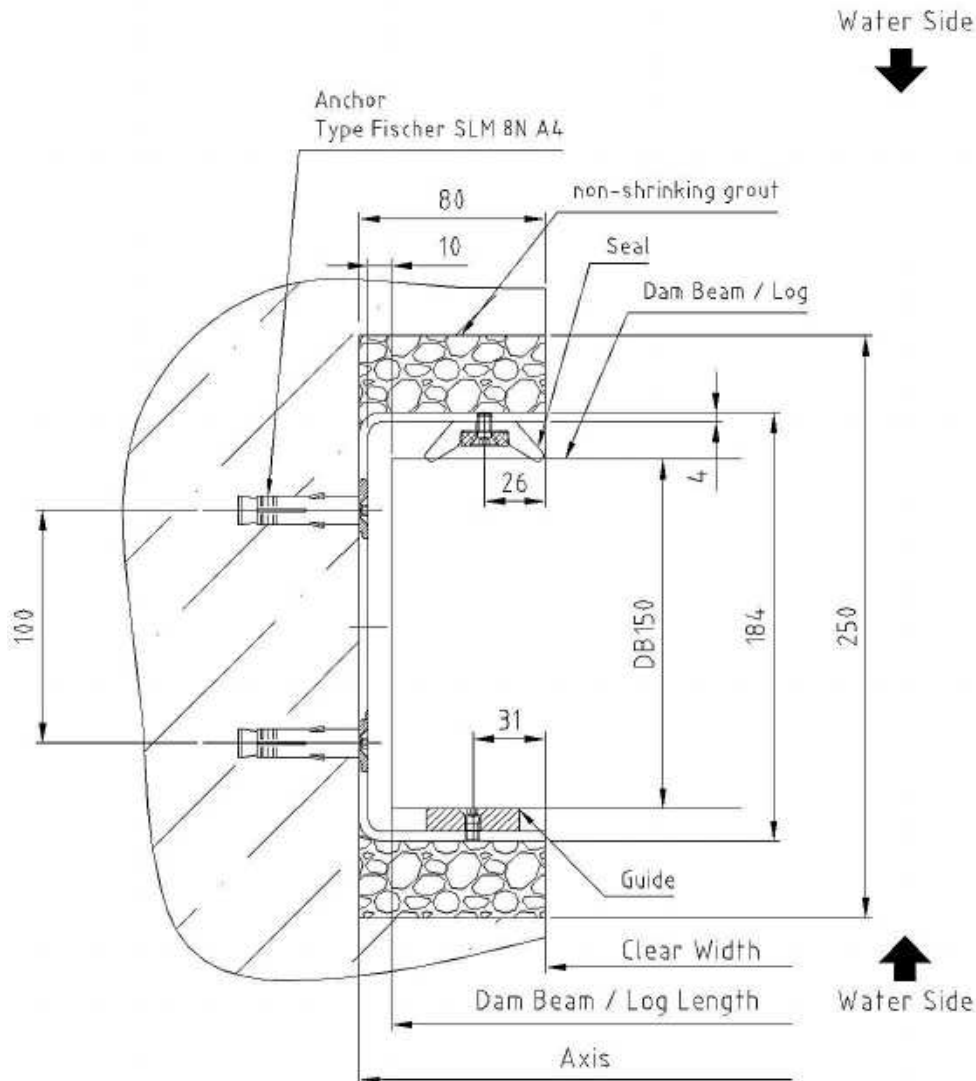
4.1.1.4 Frame 100 T1.1 LM



Mounting Tolerance:	Dimensioning
Frame Assembly - In Axis + / - 3mm - Vertically + / - 3mm - Total max. 6mm	As per Dam Beam/Log Deflection Graph

Description	Material Frame	Material Seal	Material Guide Rail
UV2A100-LM-T1.1	SS 304	EPDM	POM black
UV4A100-LM-T1.1	SS 316	EPDM	POM black

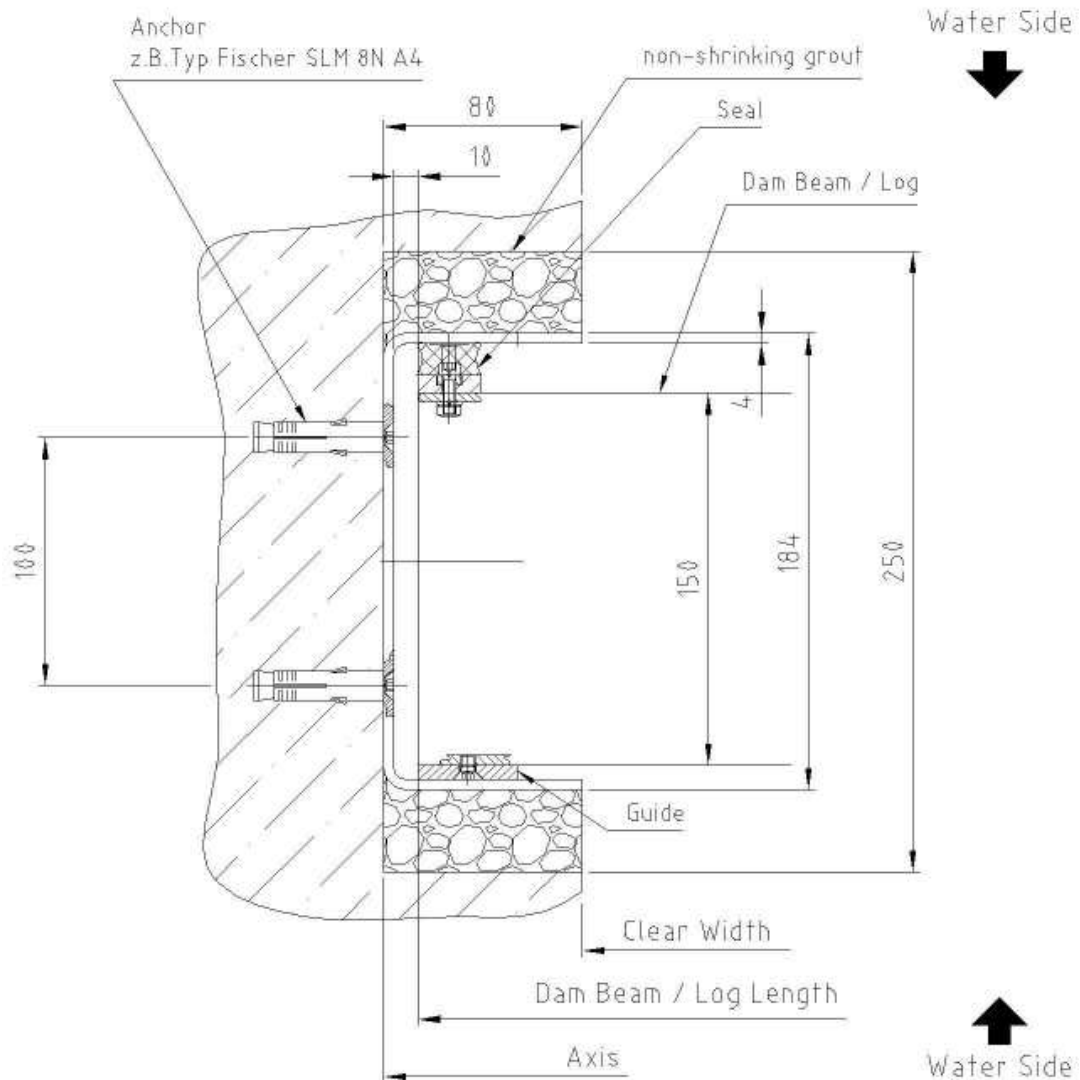
4.1.1.5 Frame 150 T1.1 FM



Mounting Tolerance:	Dimensioning
Frame Assembly - In Axis + / - 3mm - Vertically + / - 3mm - Total max. 6mm	As per Dam Beam/Log Deflection Graph

Description	Material Frame	Material Seal	Material Guide Rail
UV2A150-FM-T1.1	SS 304	EPDM	POM black
UV4A150-FM-T1.1	SS 316	EPDM	POM black
UV2A150-FMPW-T1.1	SS 304	Silicone	POM nature
UV4A150-FMPW-T1.1	SS 316	Silicone	POM nature

4.1.1.6 Frame 150 T1.1 LM

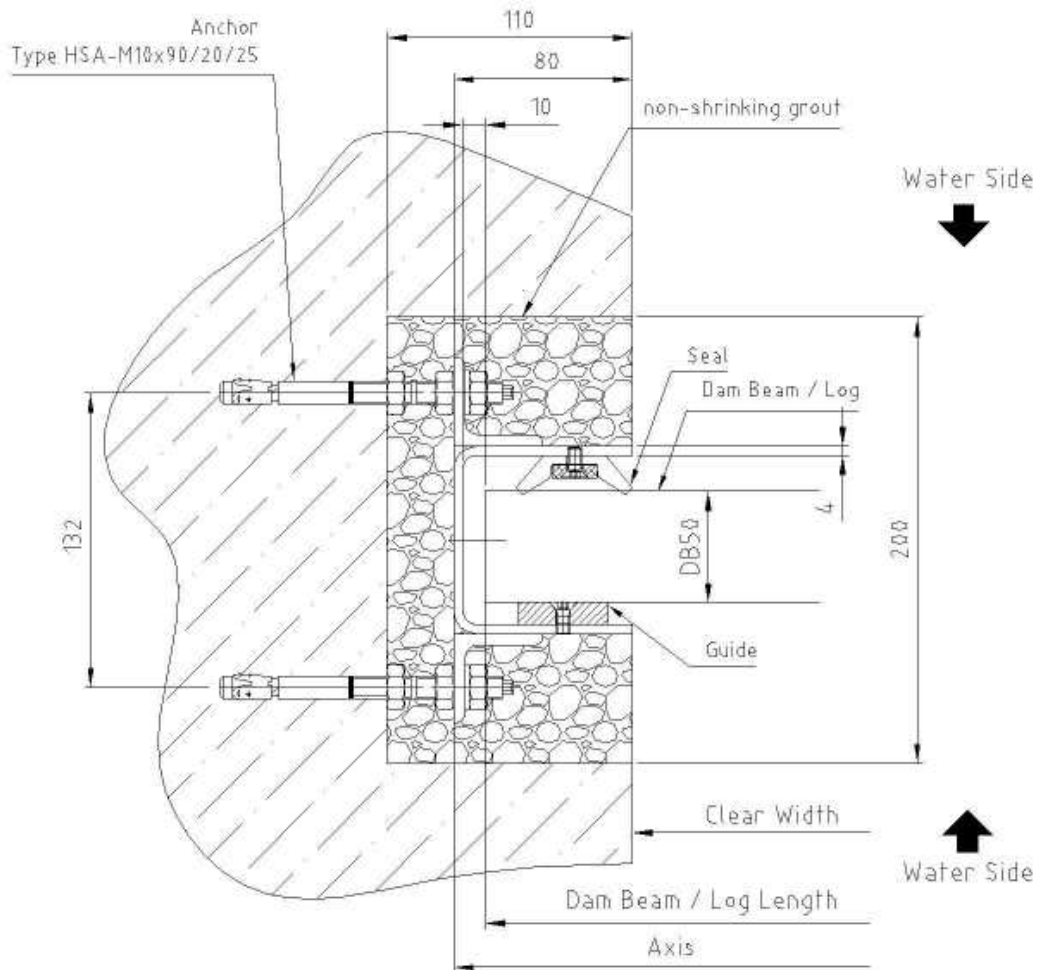


Mounting Tolerance:	Dimensioning
Frame Assembly - In Axis + / - 3mm - Vertically + / - 3mm - Total max. 6mm	As per Dam Beam/Log Deflection Graph

Description	Material Frame	Material Seal	Material Guide Rail
UV2A150-LM-T1.1	SS 304	EPDM	POM black
UV4A150-LM-T1.1	SS 316	EPDM	POM black

4.1.2 Type 1.2 in Rebate

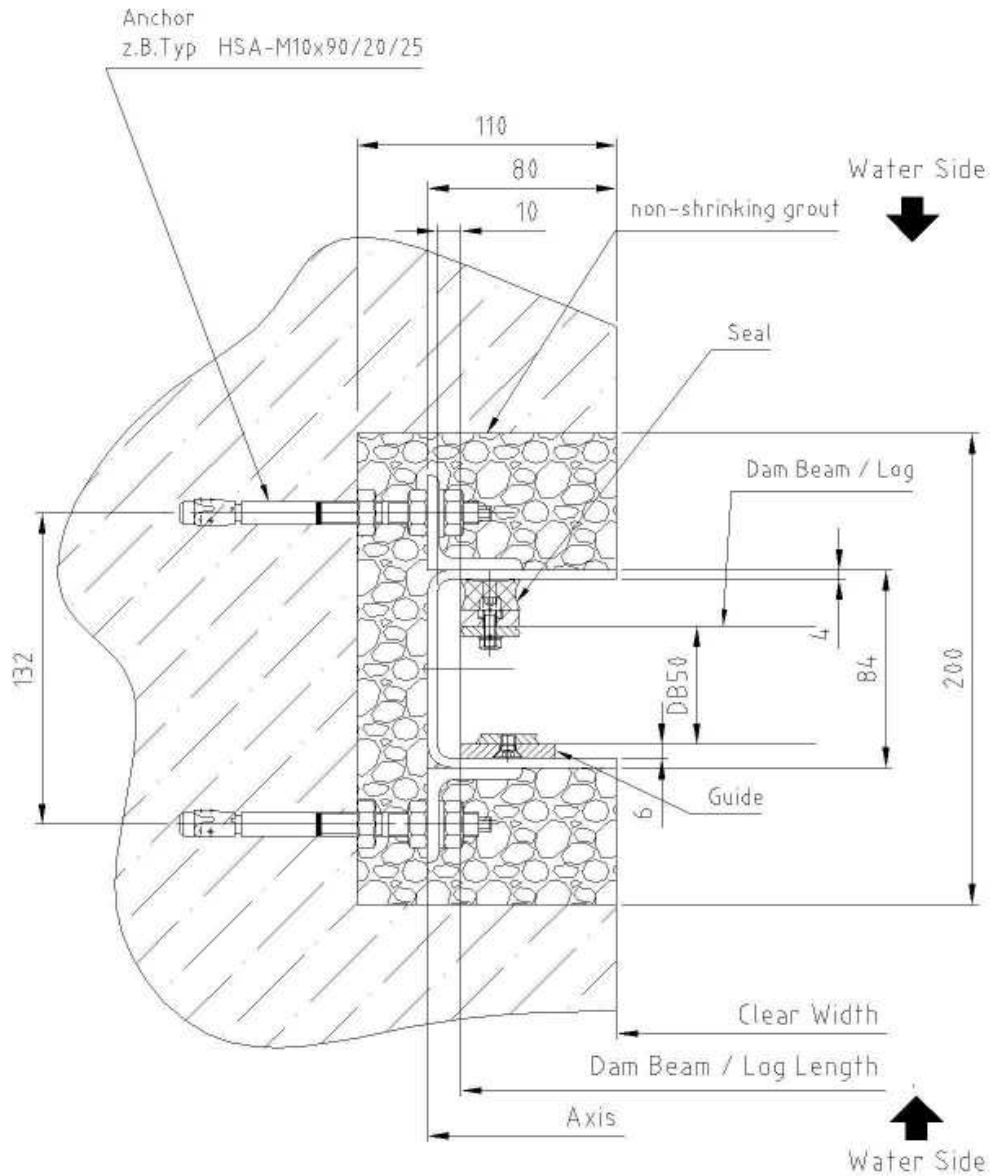
4.1.2.1 Frame 50 T1.2 FM



Mounting Tolerance:	Dimensioning
Frame Assembly - In Axis + / - 3mm - Vertically + / - 3mm - Total max. 6mm	As per Dam Beam/Log Deflection Graph

Description	Material Frame	Material Seal	Material Guide Rail
UV2A50-FM-T1.2	SS 304	EPDM	POM black
UV4A50-FM-T1.2	SS 316	EPDM	POM black
UV2A50-FMPW-T1.2	SS 304	Silicone	POM nature
UV4A50-FMPW-T1.2	SS 316	Silicone	POM nature

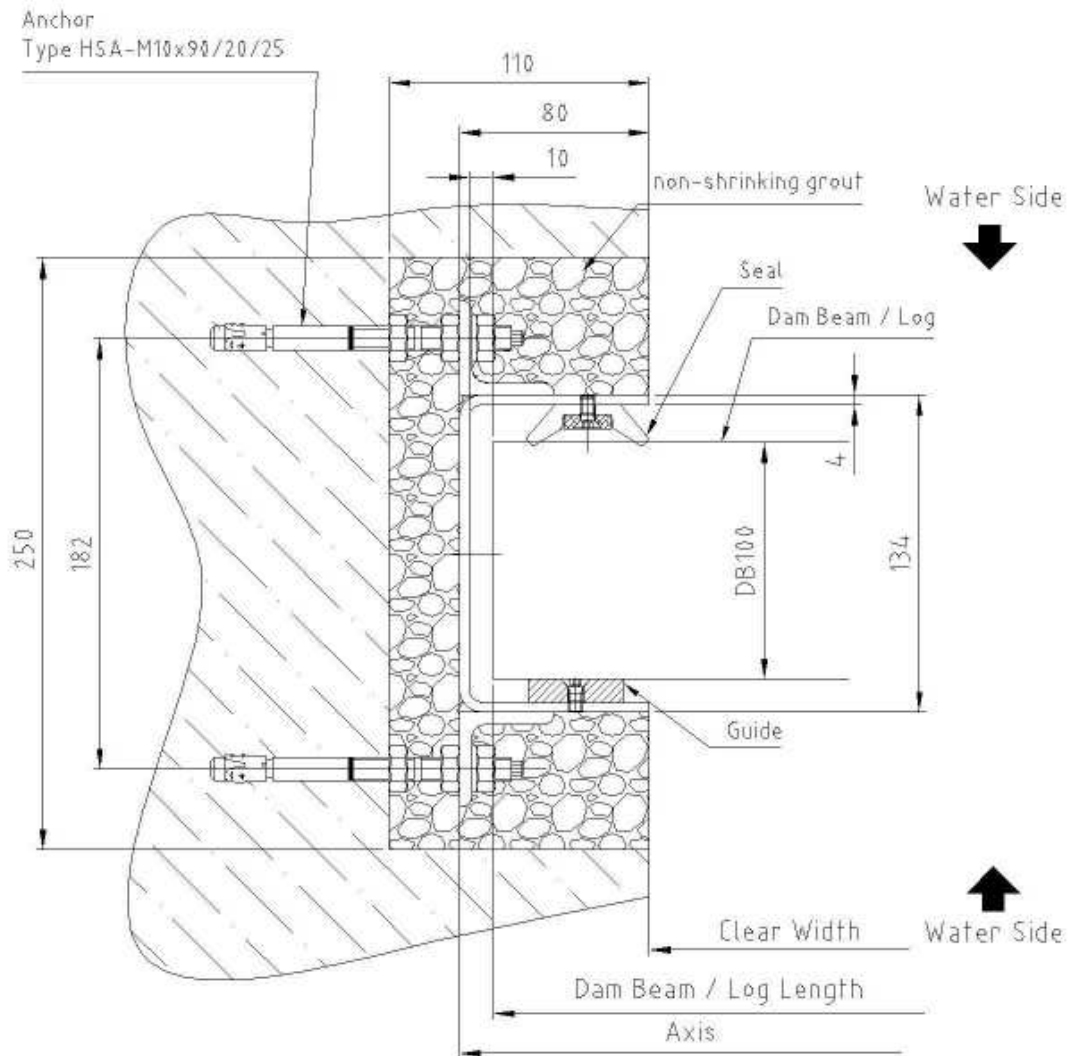
4.1.2.2 Frame 50 T1.2 LM



Mounting Tolerance:	Dimensioning
Frame Assembly - In Axis + / - 3mm - Vertically + / - 3mm - Total max. 6mm	As per Dam Beam/Log Deflection Graph

Description	Material Frame	Material Seal	Material Guide Rail
UV2A50-LM-T1.2	SS 304	EPDM	POM black
UV4A50-LM-T1.2	SS 316	EPDM	POM black

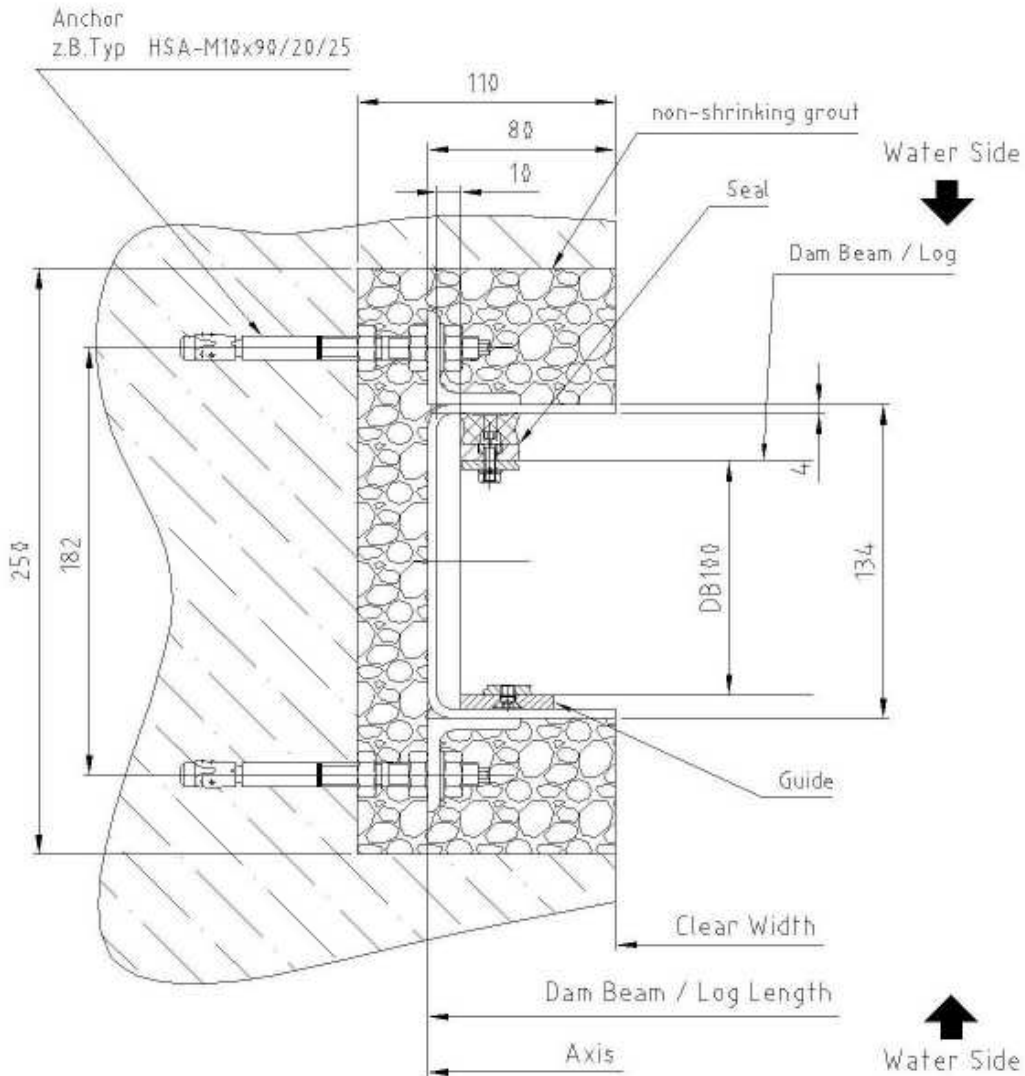
4.1.2.3 Frame 100 T1.2 FM



Mounting Tolerance:	Dimensioning
Frame Assembly - In Axis + / - 3mm - Vertically + / - 3mm - Total max. 6mm	As per Dam Beam/Log Deflection Graph

Description	Material Frame	Material Seal	Material Guide Rail
UV2A100-FM-T1.2	SS 304	EPDM	POM black
UV4A100-FM-T1.2	SS 316	EPDM	POM black
UV2A100-FMPW-T1.2	SS 304	Silicone	POM nature
UV4A100-FMPW-T1.2	SS 316	Silicone	POM nature

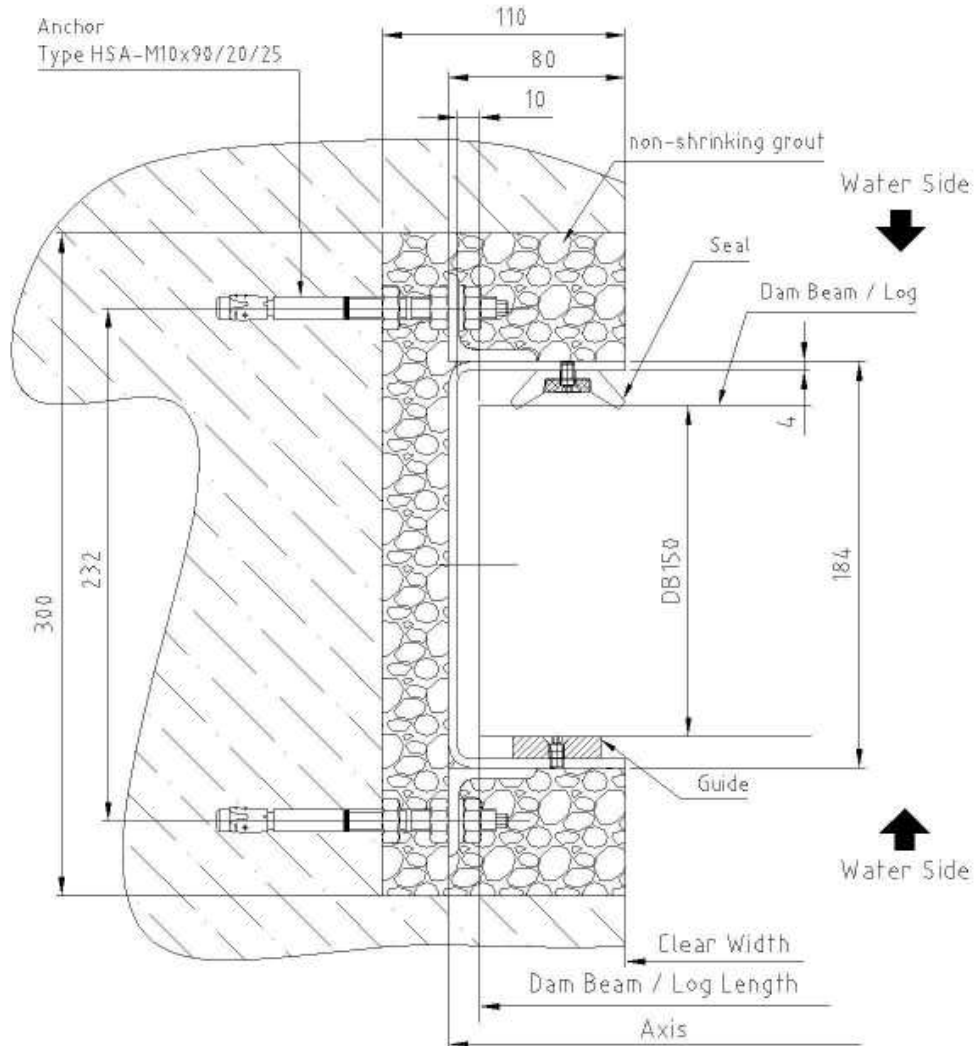
4.1.2.4 Frame 100 T1.2 LM



Mounting Tolerance:	Dimensioning
Frame Assembly - In Axis + / - 3mm - Vertically + / - 3mm - Total max. 6mm	As per Dam Beam/Log Deflection Graph

Description	Material Frame	Material Seal	Material Guide Rail
UV2A100-LM-T1.2	SS 304	EPDM	POM black
UV4A100-LM-T1.2	SS 316	EPDM	POM black

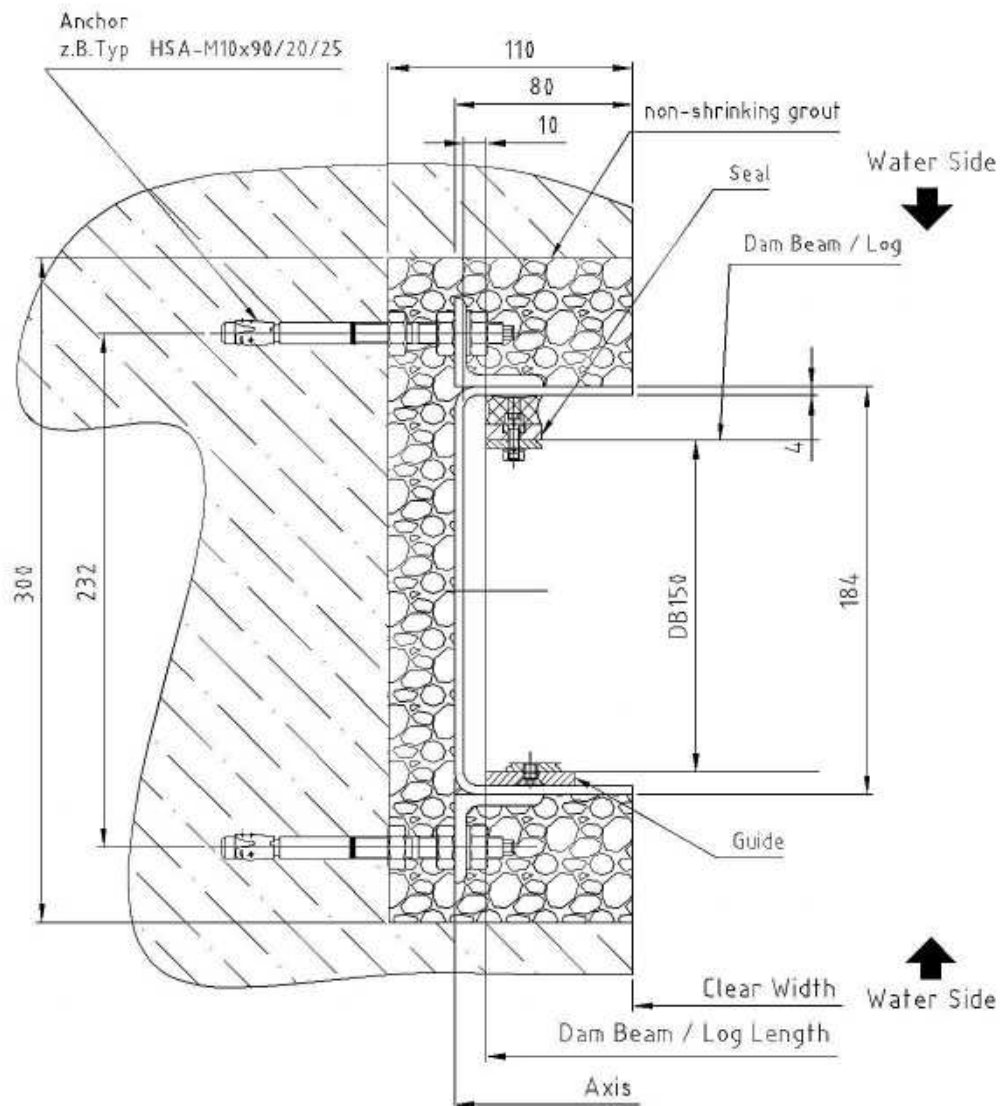
4.1.2.5 Frame 150 T1.2 FM



Mounting Tolerance:	Dimensioning
Frame Assembly - In Axis + / - 3mm - Vertically + / - 3mm - Total max. 6mm	As per Dam Beam/Log Deflection Graph

Description	Material Frame	Material Seal	Material Guide Rail
UV2A150-FM-T1.2	SS 304	EPDM	POM black
UV4A150-FM-T1.2	SS 316	EPDM	POM black
UV2A150-FMPW-T1.2	SS 304	Silicone	POM nature
UV4A150-FMPW-T1.2	SS 316	Silicone	POM nature

4.1.2.6 Frame 150 T1.2 LM

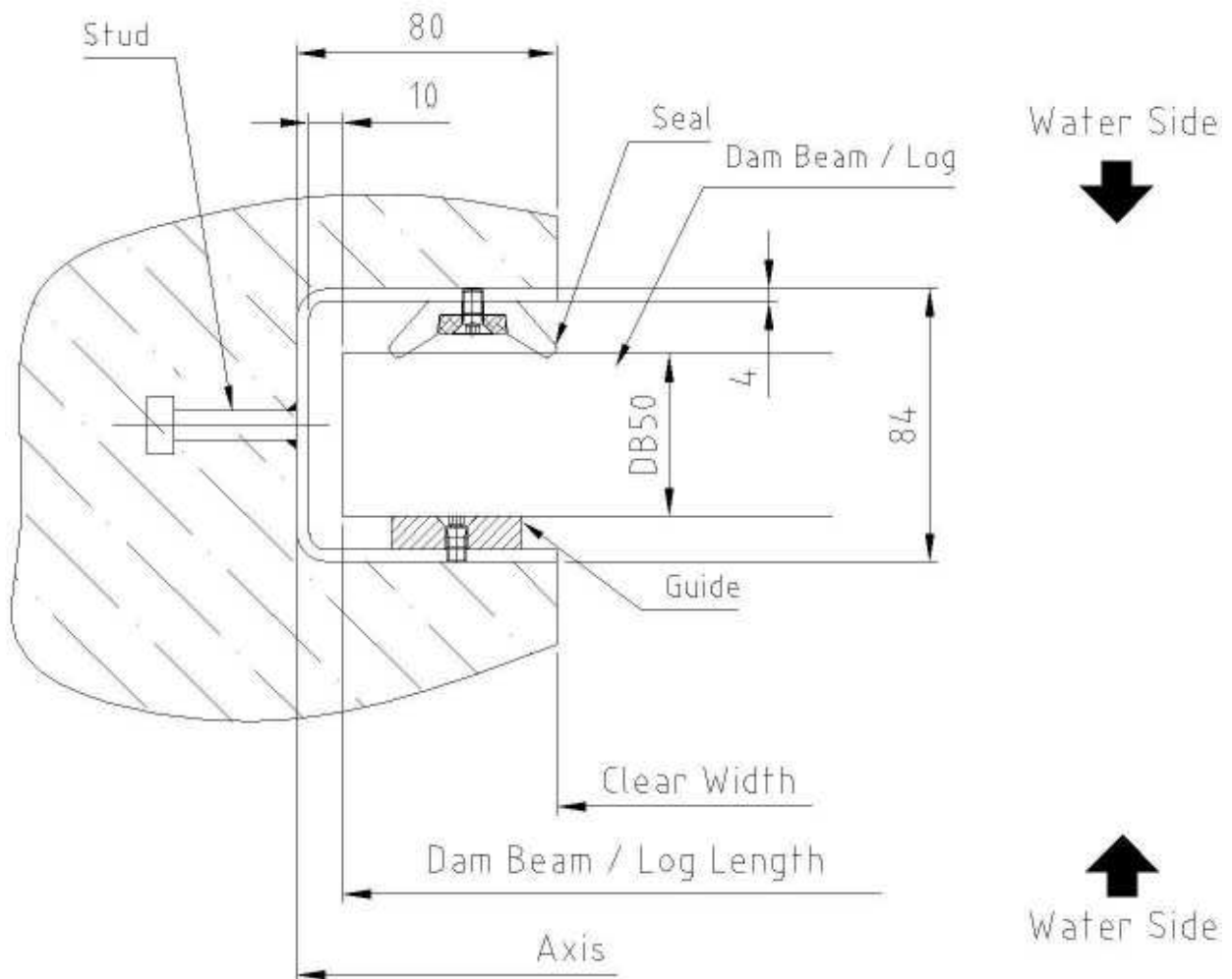


Mounting Tolerance:	Dimensioning
Frame Assembly - In Axis + / - 3mm - Vertically + / - 3mm - Total max. 6mm	As per Dam Beam/Log Deflection Graph

Description	Material Frame	Material Seal	Material Guide Rail
UV2A150-LM-T1.2	SS 304	EPDM	POM black
UV4A150-LM-T1.2	SS 316	EPDM	POM black

4.1.3 Type 2 in First Concrete

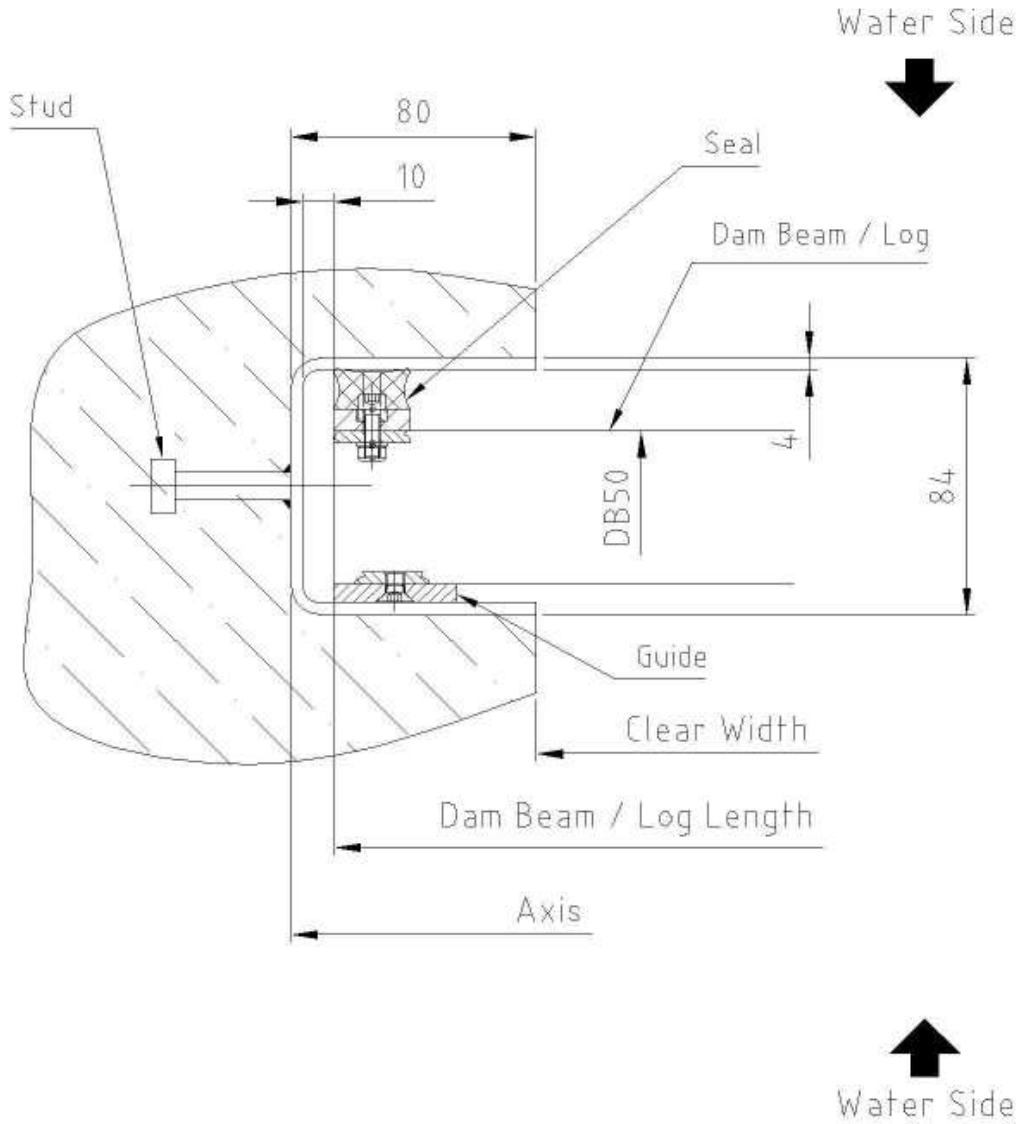
4.1.3.1 Frame 50 T2 FM



Mounting Tolerance:	Dimensioning
Frame Assembly - In Axis +/- 3mm - Vertically +/- 3mm - Total max. 6mm	As per Dam Beam/Log Deflection Graph

Description	Material Frame	Material Seal	Material Guide Rail
UV2A50-FM-T2	SS 304	EPDM	POM black
UV4A50-FM-T2	SS 316	EPDM	POM black
UV2A50-FMPW-T2	SS 304	Silicone	POM nature
UV4A50-FMPW-T2	SS 316	Silicone	POM nature

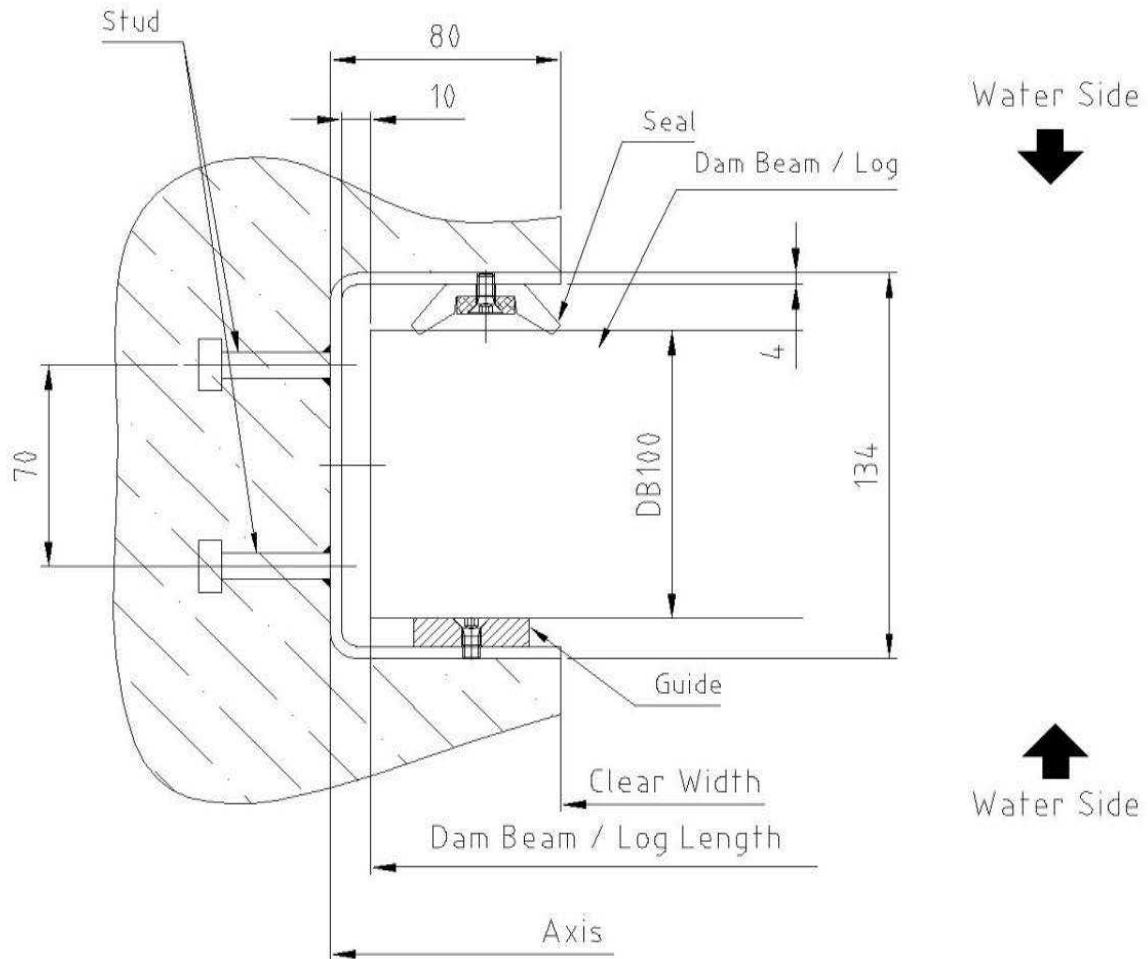
4.1.3.2 Frame 50 T2 LM



Mounting Tolerance:	Dimensioning
Frame Assembly - In Axis + / - 3mm - Vertically + / - 3mm - Total max. 6mm	As per Dam Beam/Log Deflection Graph

Description	Material Frame	Material Seal	Material Guide Rail
UV2A50-LM-T2	SS 304	EPDM	POM black
UV4A50-LM-T2	SS 316	EPDM	POM black

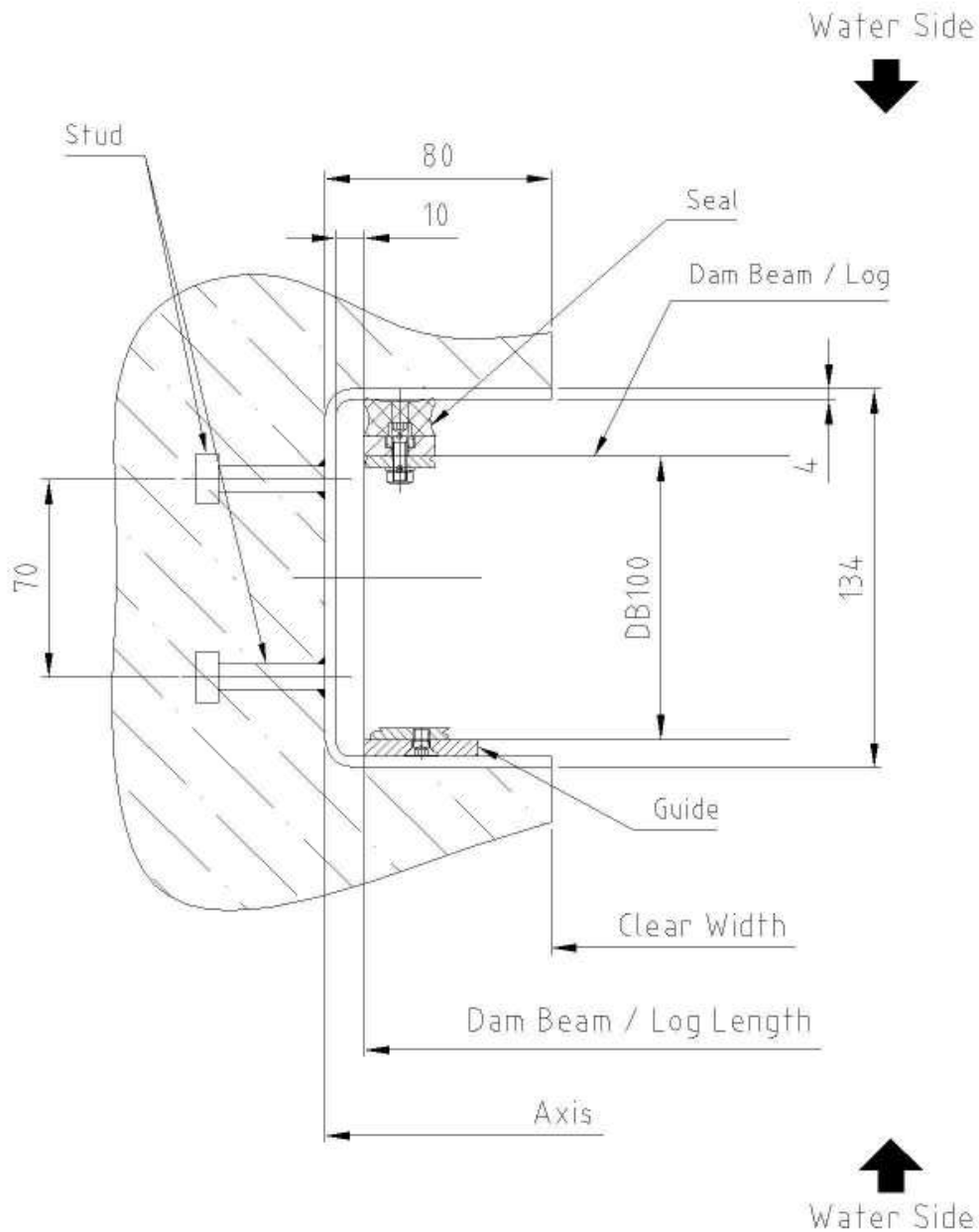
4.1.3.3 Frame 100 T2 FM



Mounting Tolerance:	Dimensioning
Frame Assembly - In Axis +/- 3mm - Vertically +/- 3mm - Total max. 6mm	As per Dam Beam/Log Deflection Graph

Description	Material Frame	Material Seal	Material Guide Rail
UV2A100-FM-T2	SS 304	EPDM	POM black
UV4A100-FM-T2	SS 316	EPDM	POM black
UV2A100-FMPW-T2	SS 304	Silicone	POM nature
UV4A100-FMPW-T2	SS 316	Silicone	POM nature

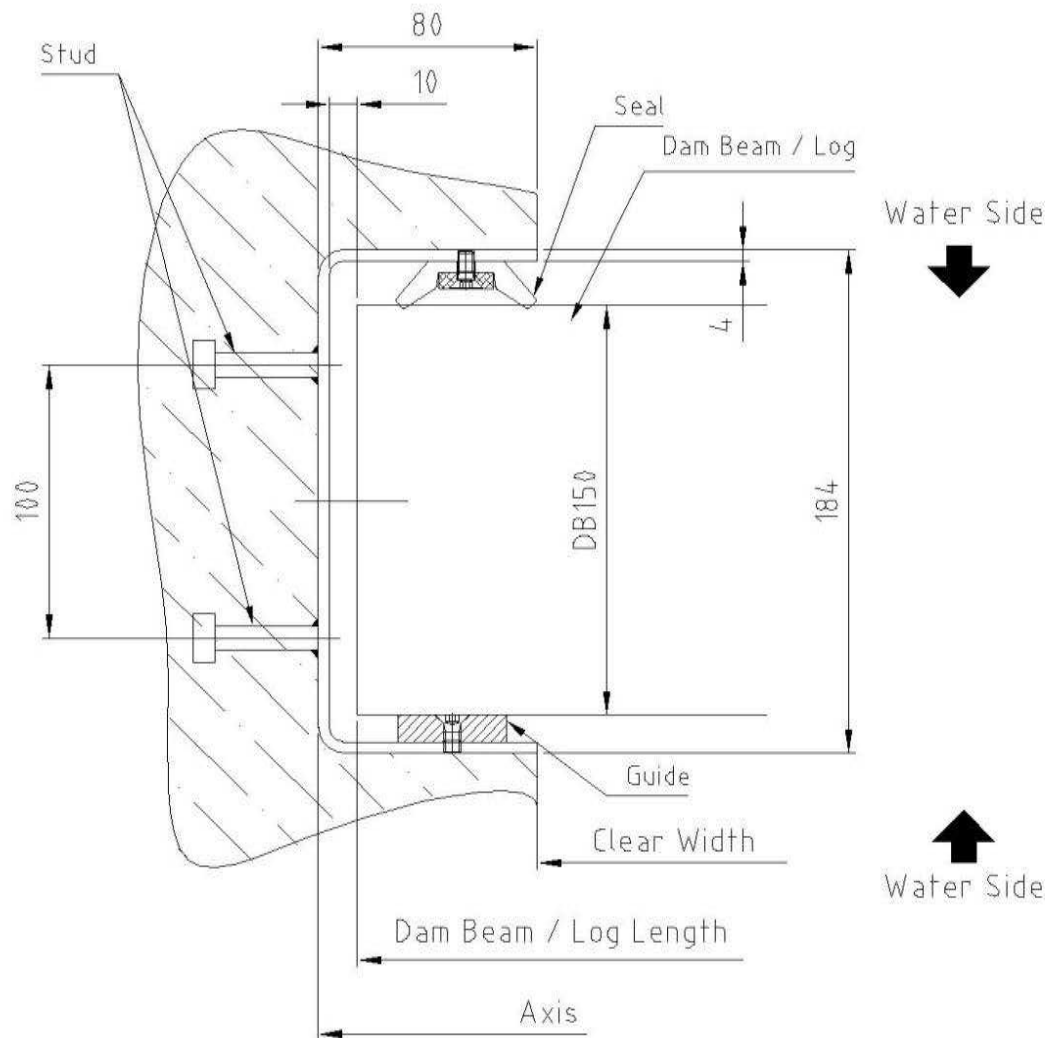
4.1.3.4 Frame 100 T2 LM



Mounting Tolerance:	Dimensioning
Frame Assembly - In Axis + / - 3mm - Vertically + / - 3mm - Total max. 6mm	As per Dam Beam/Log Deflection Graph

Description	Material Frame	Material Seal	Material Guide Rail
UV2A100-LM-T2	SS 304	EPDM	POM black
UV4A100-LM-T2	SS 316	EPDM	POM black

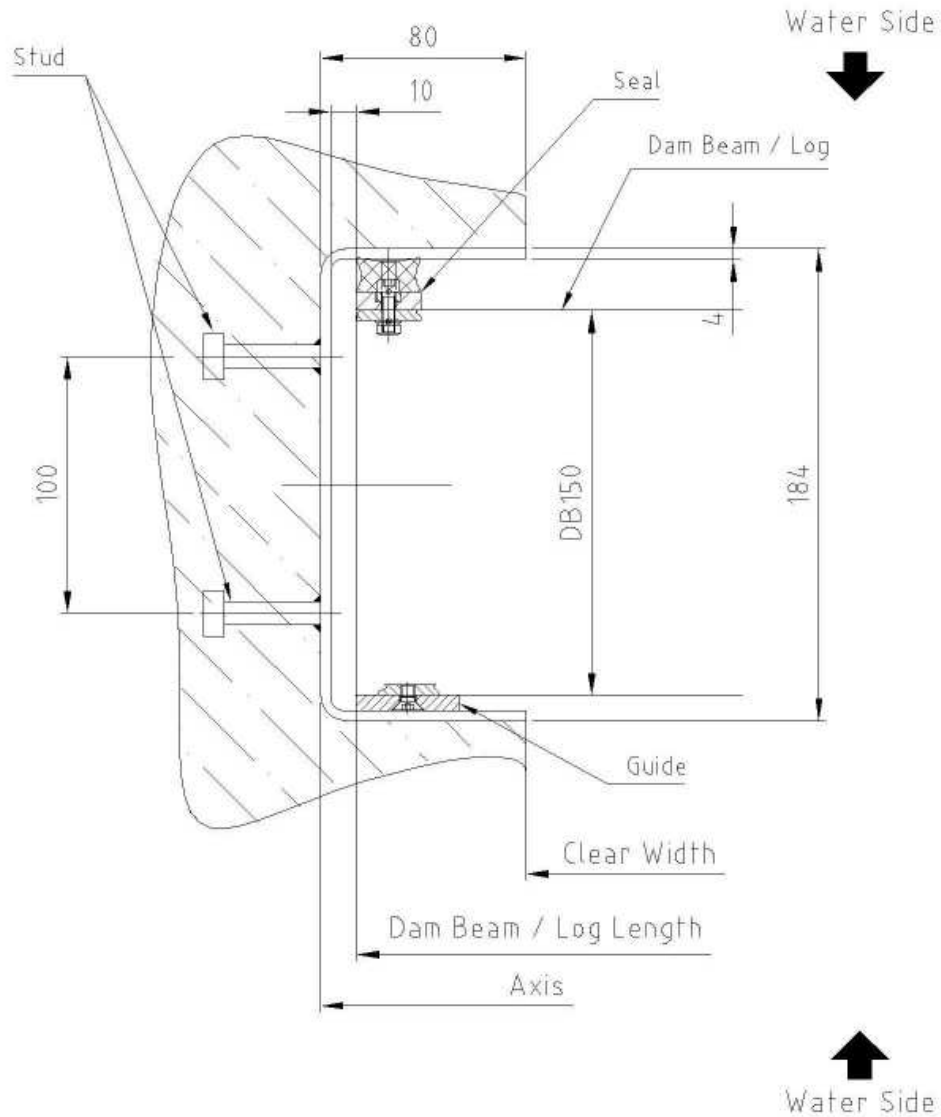
4.1.3.5 Frame 150 T2 FM



Mounting Tolerance:	Dimensioning
Frame Assembly - In Axis + / - 3mm - Vertically + / - 3mm - Total max. 6mm	As per Dam Beam/Log Deflection Graph

Description	Material Frame	Material Seal	Material Guide Rail
UV2A150-FM-T2	SS 304	EPDM	POM black
UV4A150-FM-T2	SS 316	EPDM	POM black
UV2A150-FMPW-T2	SS 304	Silicone	POM nature
UV4A150-FMPW-T2	SS 316	Silicone	POM nature

4.1.3.6 Frame 150 T2 LM



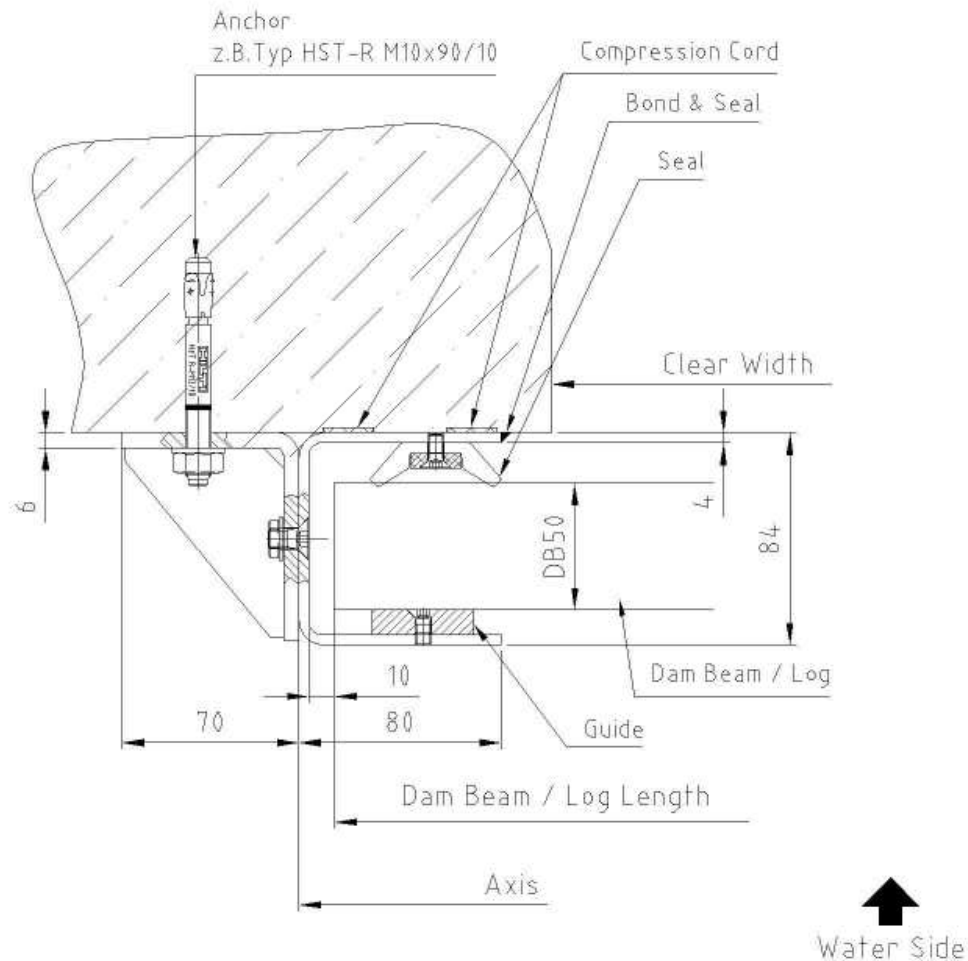
Mounting Tolerance:	Dimensioning
Frame Assembly - In Axis + / - 3mm - Vertically + / - 3mm - Total max. 6mm	As per Dam Beam/Log Deflection Graph

Description	Material Frame	Material Seal	Material Guide Rail
UV2A150-LM-T2	SS 304	EPDM	POM black
UV4A150-LM-T2	SS 316	EPDM	POM black

4.2 Mounting Types – Wall Mounted on-seating

4.2.1 Type 3 with wall Bracket

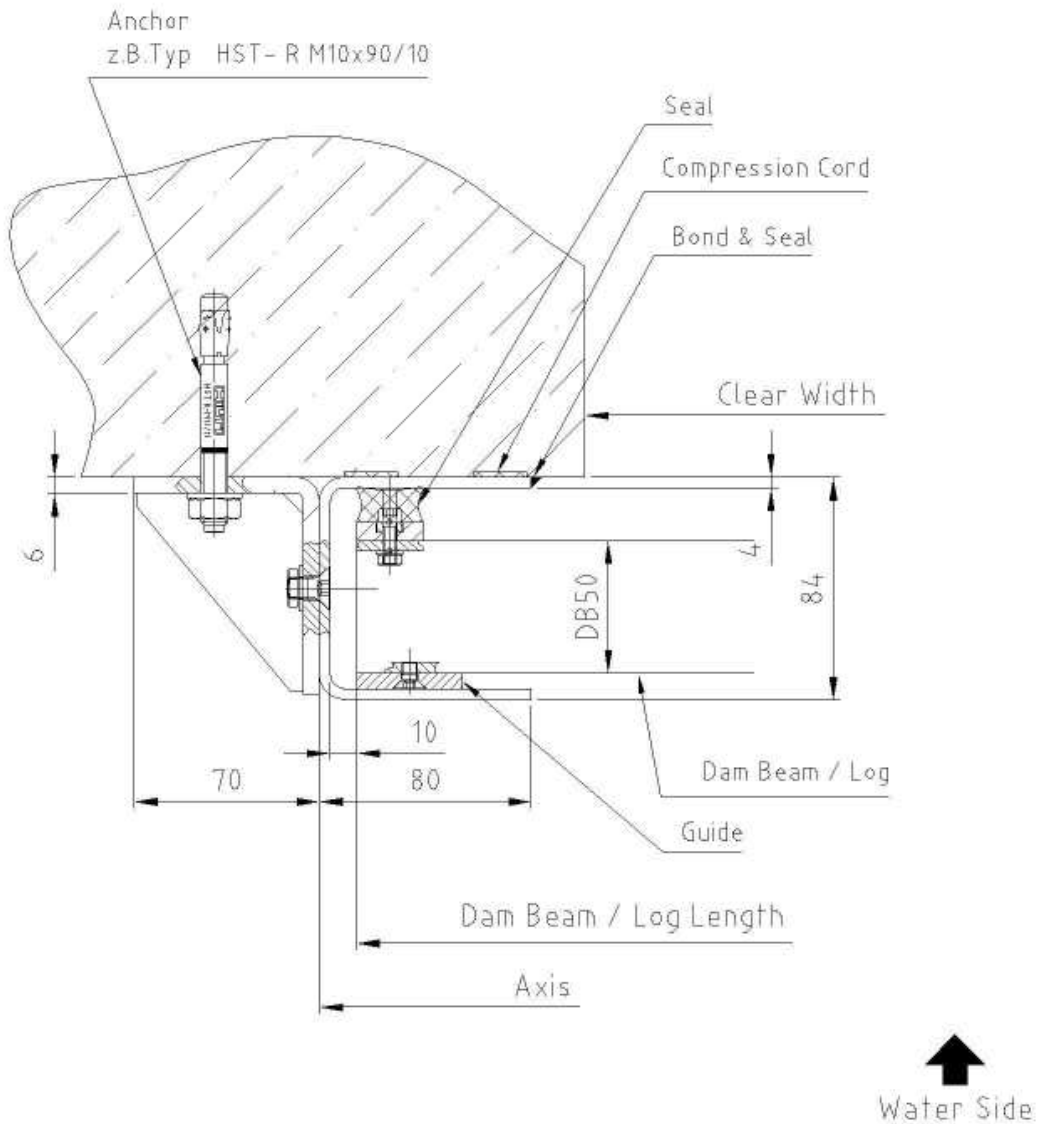
4.2.1.1 Frame 50 T3 FM



Mounting Tolerance:	Dimensioning
Frame Assembly - In Axis + / - 3mm - Vertically + / - 3mm - Total max. 6mm	As per Dam Beam/Log Deflection Graph

Description	Material Frame	Material Seal	Material Guide Rail
UV2A50-FM-T3	SS 304	EPDM	POM black
UV4A50-FM-T3	SS 316	EPDM	POM black
UV2A50-FMPW-T3	SS 304	Silicone	POM nature
UV4A50-FMPW-T3	SS 316	Silicone	POM nature

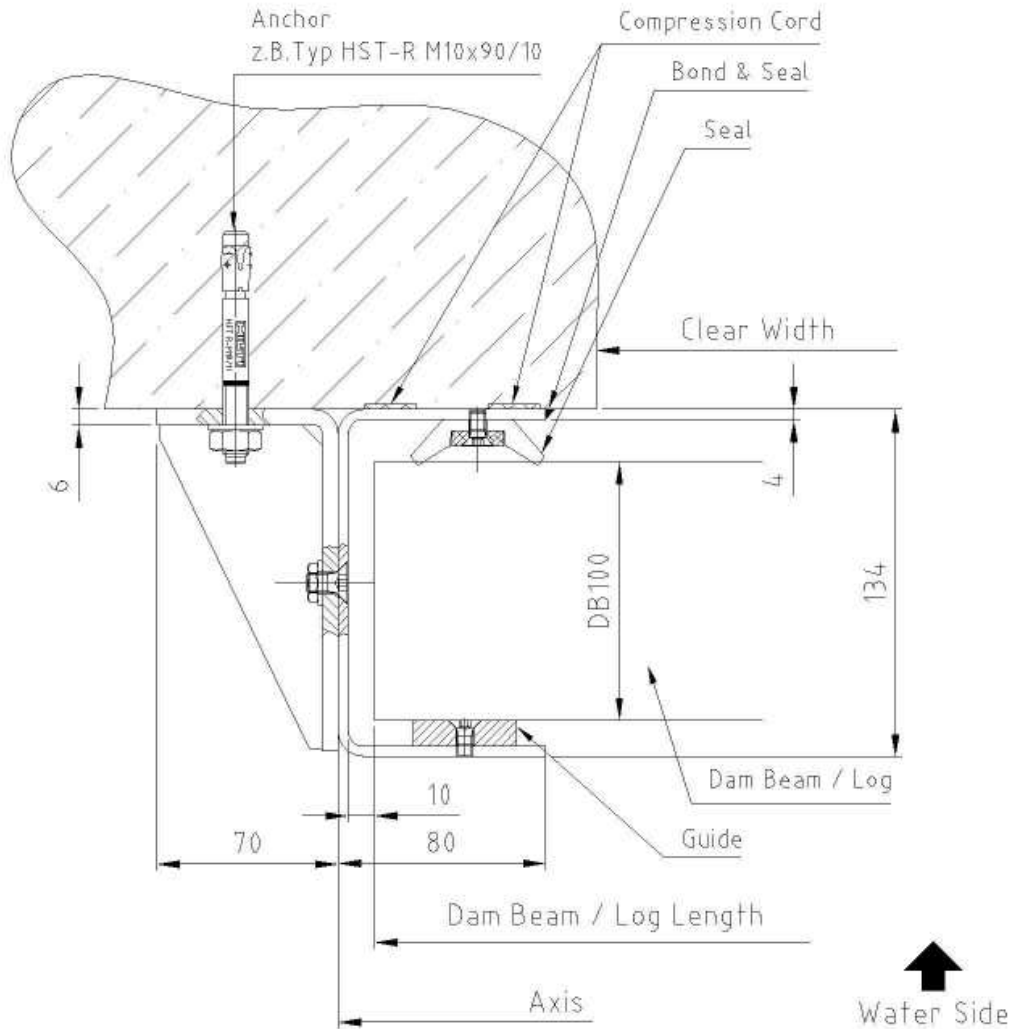
4.2.1.2 Frame 50 T3 LM



Mounting Tolerance:	Dimensioning
Frame Assembly - In Axis + / - 3mm - Vertically + / - 3mm - Total max. 6mm	As per Dam Beam/Log Deflection Graph

Description	Material Frame	Material Seal	Material Guide Rail
UV2A50-LM-T3	SS 304	EPDM	POM black
UV4A50-LM-T3	SS 316	EPDM	POM black

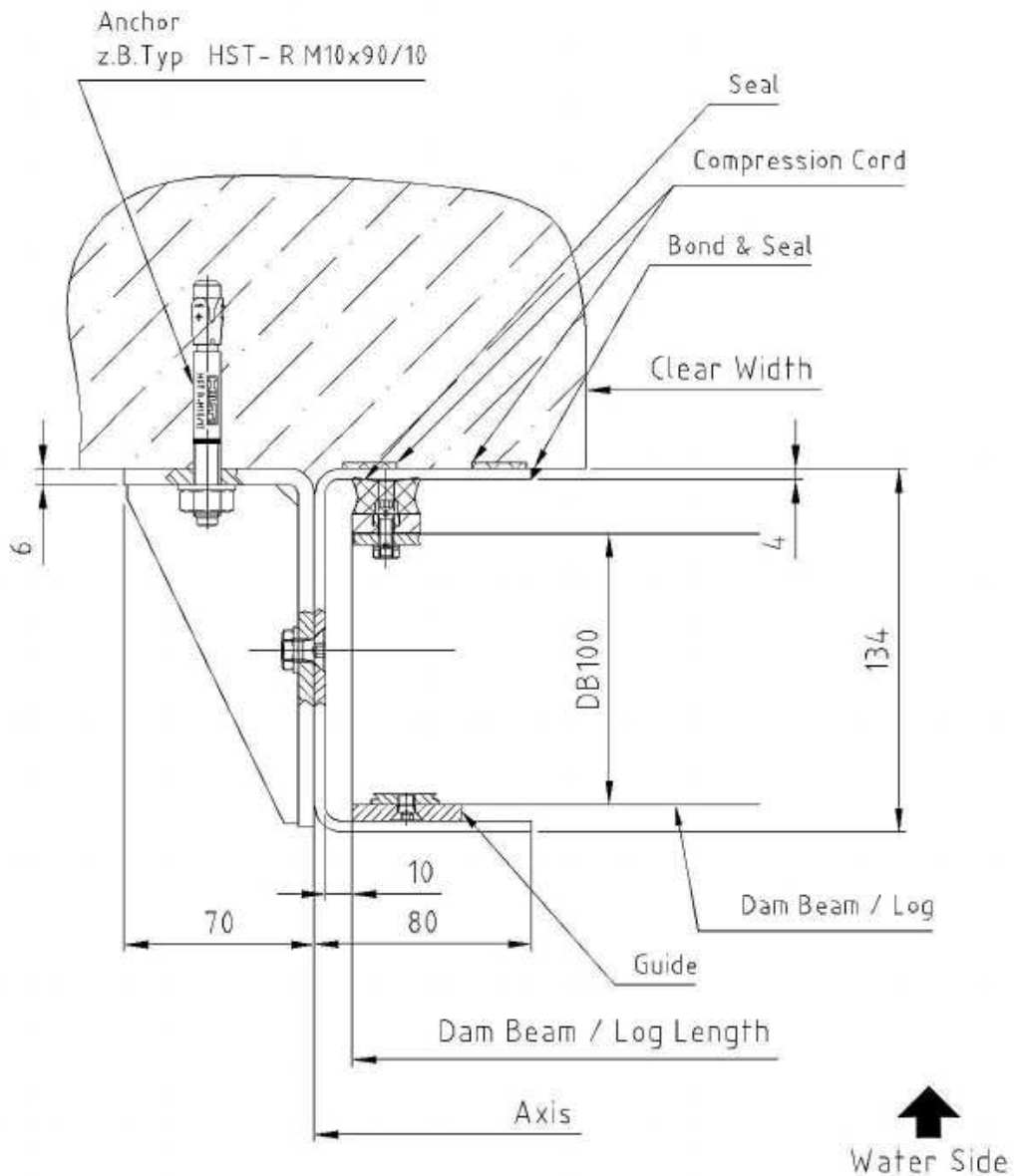
4.2.1.3 Frame 100 T3 FM



Mounting Tolerance:	Dimensioning
Frame Assembly - In Axis + / - 3mm - Vertically + / - 3mm - Total max. 6mm	As per Dam Beam/Log Deflection Graph

Description	Material Frame	Material Seal	Material Guide Rail
UV2A100-FM-T3	SS 304	EPDM	POM black
UV4A100-FM-T3	SS 316	EPDM	POM black
UV2A100-FMPW-T3	SS 304	Silicone	POM nature
UV4A100-FMPW-T3	SS 316	Silicone	POM nature

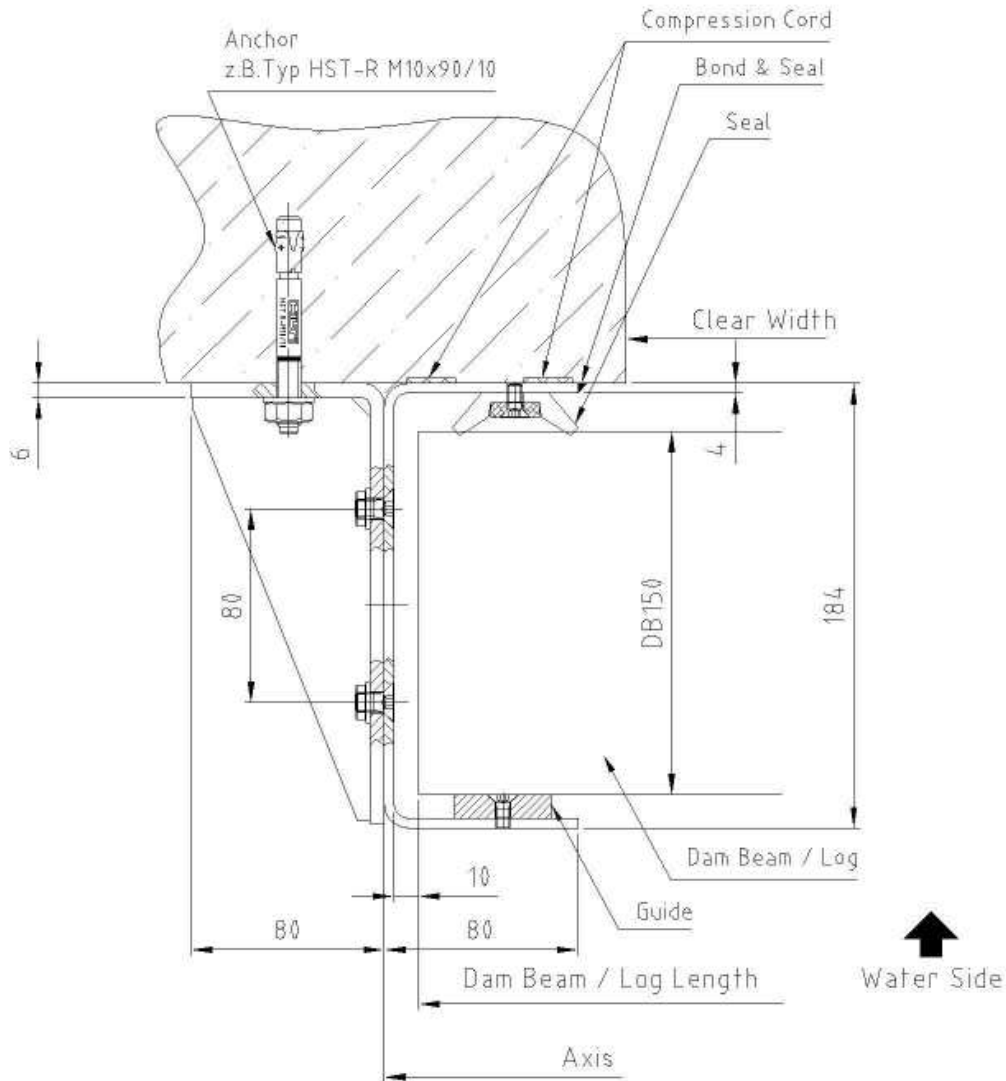
4.2.1.4 Frame 100 T3 LM



Mounting Tolerance:	Dimensioning
Frame Assembly - In Axis + / - 3mm - Vertically + / - 3mm - Total max. 6mm	As per Dam Beam/Log Deflection Graph

Description	Material Frame	Material Seal	Material Guide Rail
UV2A100-LM-T3	SS 304	EPDM	POM black
UV4A100-LM-T3	SS 316	EPDM	POM black

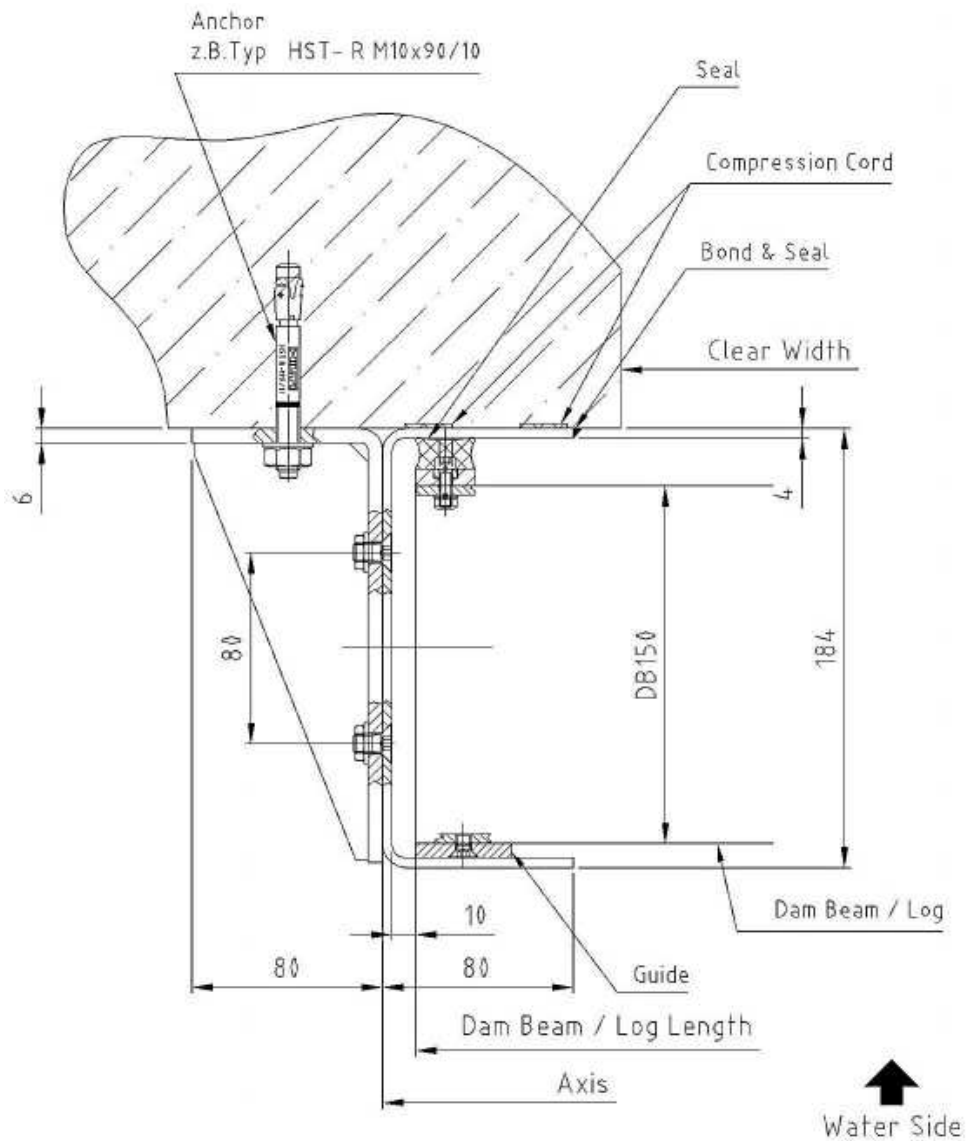
4.2.1.5 Frame 150 T3 FM



Mounting Tolerance:	Dimensioning
Frame Assembly - In Axis + / - 3mm - Vertically + / - 3mm - Total max. 6mm	As per Dam Beam/Log Deflection Graph

Description	Material Frame	Material Seal	Material Guide Rail
UV2A150-FM-T3	SS 304	EPDM	POM black
UV4A150-FM-T3	SS 316	EPDM	POM black
UV2A150-FMPW-T3	SS 304	Silicone	POM nature
UV4A150-FMPW-T3	SS 316	Silicone	POM nature

4.2.1.6 Frame 150 T3 LM



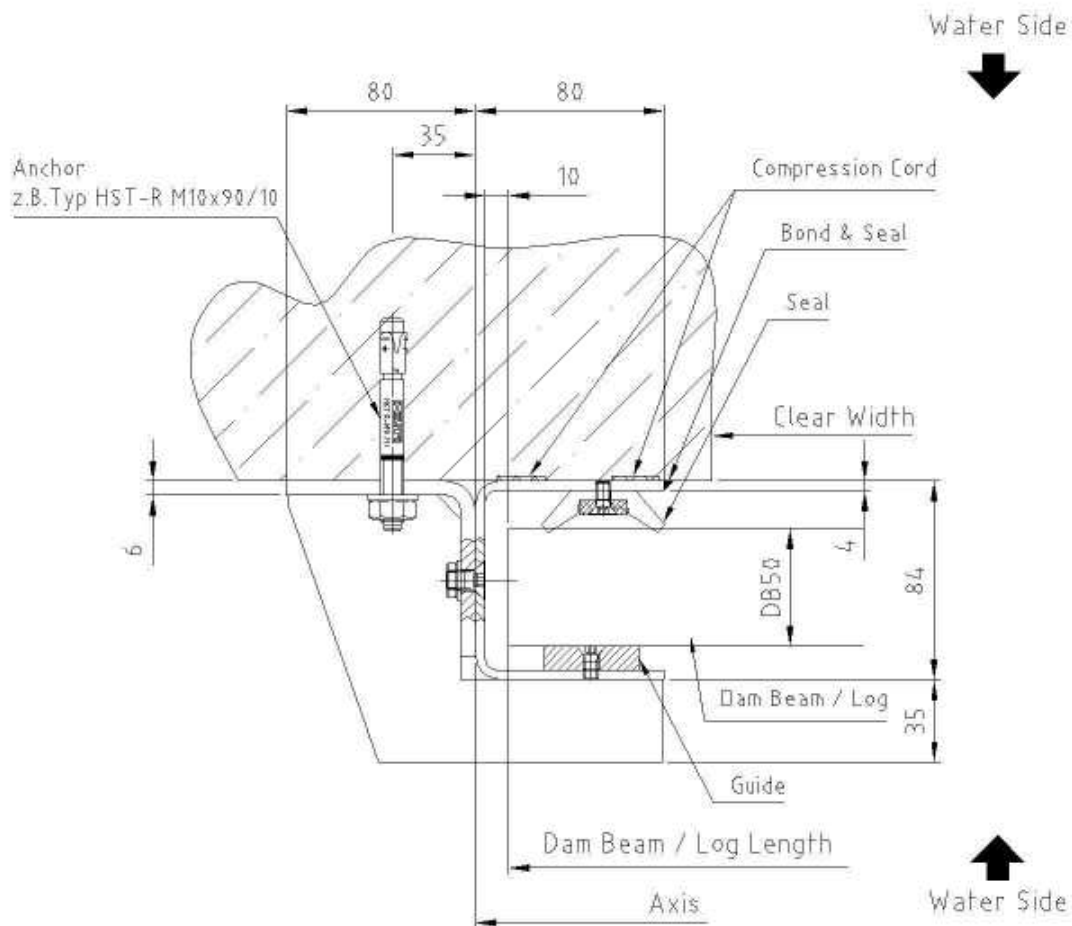
Mounting Tolerance:	Dimensioning
Frame Assembly - In Axis + / - 3mm - Vertically + / - 3mm - Total max. 6mm	As per Dam Beam/Log Deflection Graph

Description	Material Frame	Material Seal	Material Guide Rail
UV2A150-LM-T3	SS 304	EPDM	POM black
UV4A150-LM-T3	SS 316	EPDM	POM black

4.3 Mounting Types – Wall Mounted off-seating

4.3.1 Type 4.1 with Base Plate

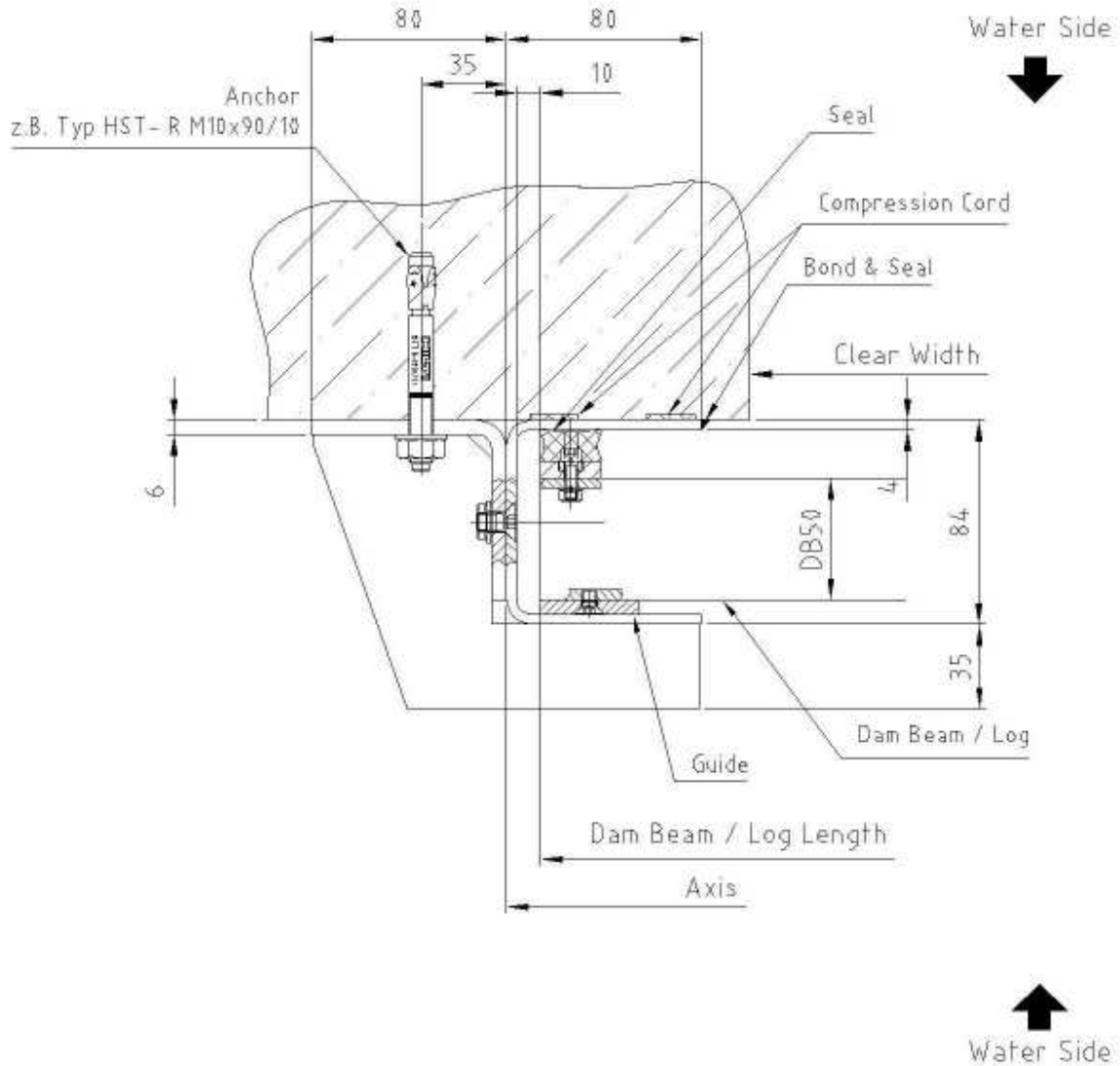
4.3.1.1 Frame 50 T4.1 FM



Mounting Tolerance:	Dimensioning		
Frame Assembly - In Axis + / - 3mm - Vertically + / - 3mm - Total max. 6mm	Max. Height 5,0m	Max. clear Width 4,0m	Max. Area 2,5m ²

Description	Material Frame	Material Seal	Material Guide Rail
UV2A50-FM-T4.1	SS 304	EPDM	POM black
UV4A50-FM-T4.1	SS 316	EPDM	POM black
UV2A50-FMPW-T4.1	SS 304	Silicone	POM nature
UV4A50-FMPW-T4.1	SS 316	Silicone	POM nature

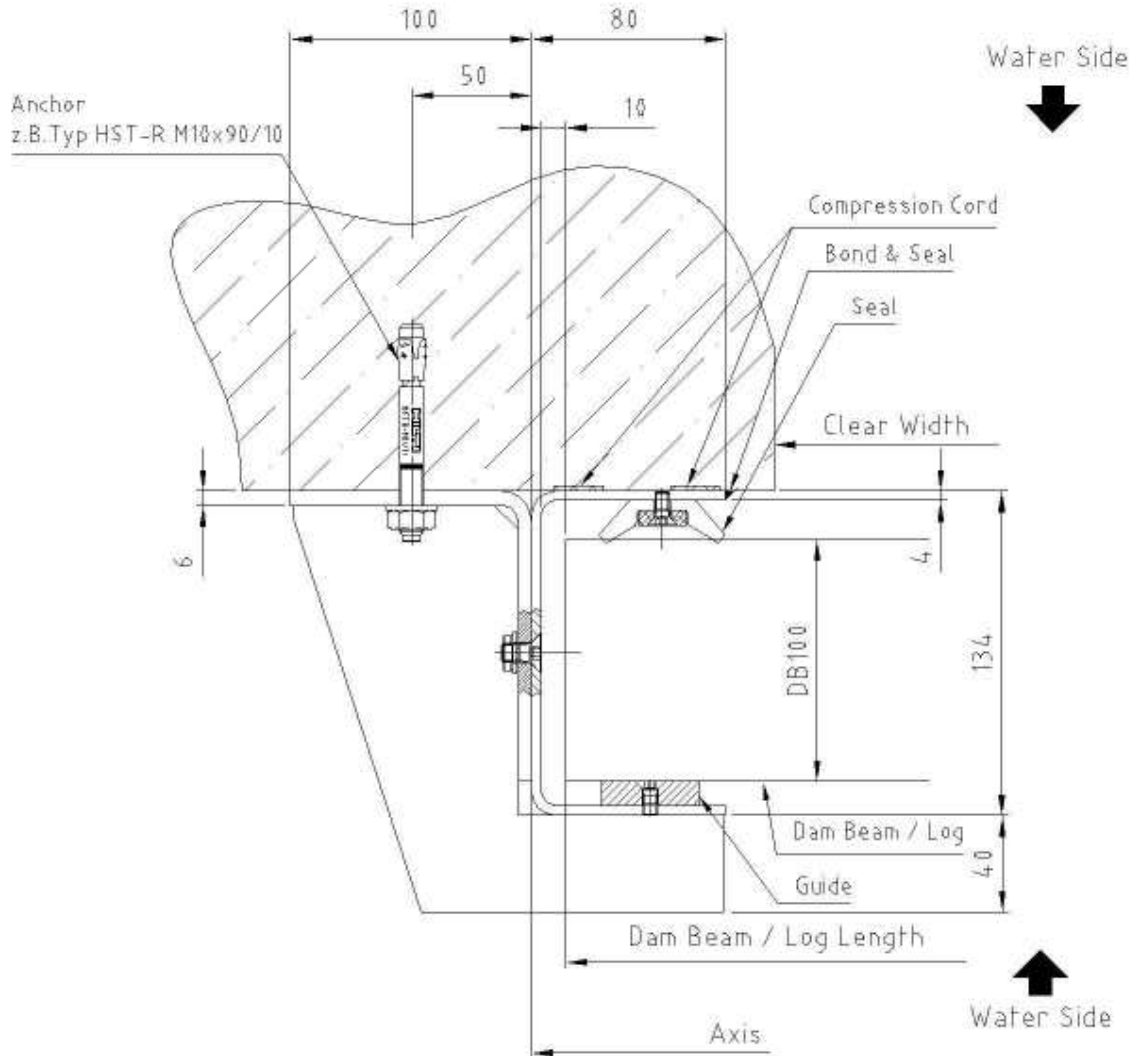
4.3.1.2 Frame 50 T4.1 LM



Mounting Tolerance:	Dimensioning		
Frame Assembly - In Axis + / - 3mm - Vertically + / - 3mm - Total max. 6mm	Max. Height 5,0m	Max. clear Width 4,0m	Max. Area 2,5m ²

Description	Material Frame	Material Seal	Material Guide Rail
UV2A50-LM-T4.1	SS 304	EPDM	POM black
UV4A50-LM-T4.1	SS 316	EPDM	POM black

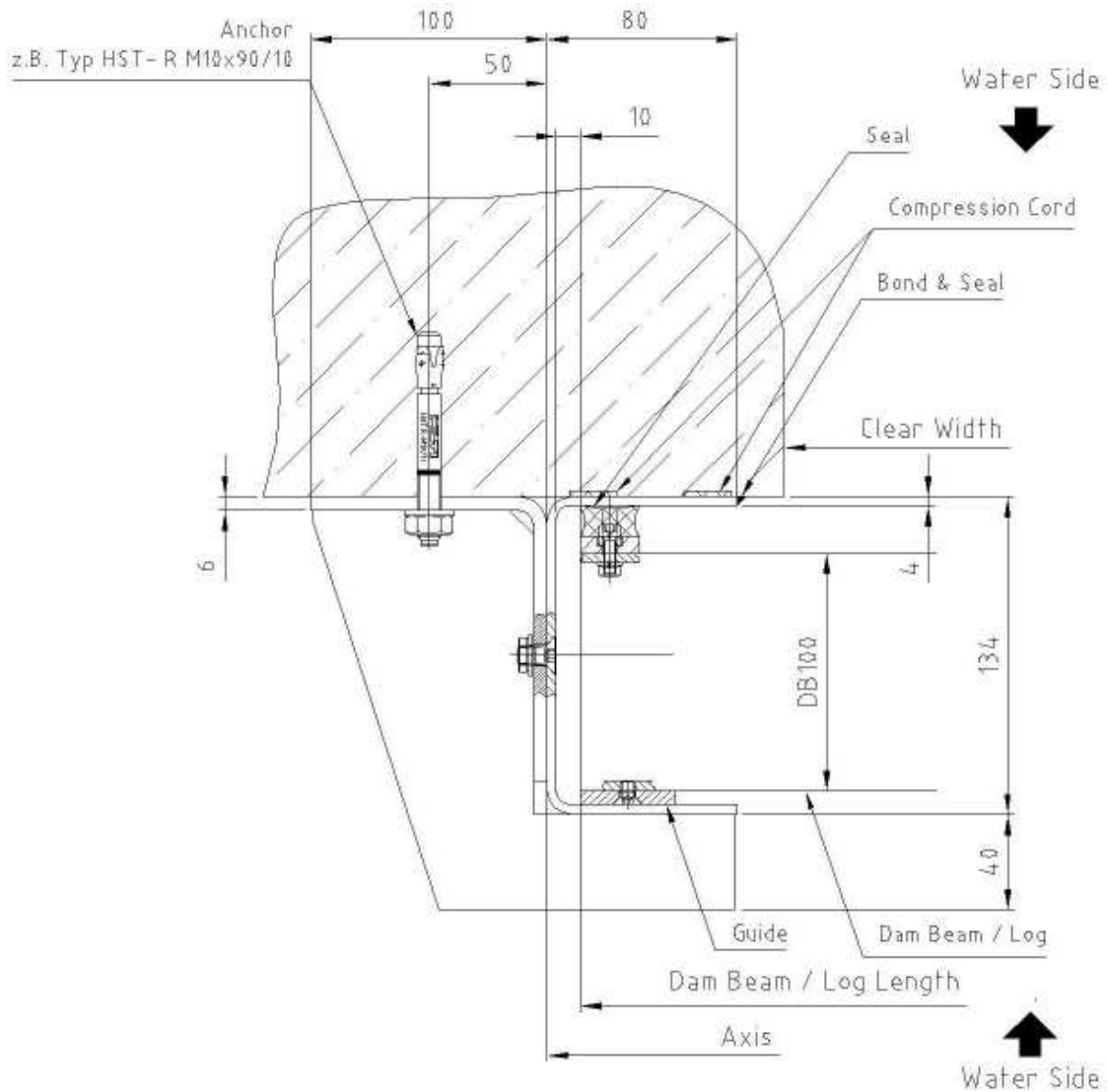
4.3.1.3 Frame 100 T4.1 FM



Mounting Tolerance:	Dimensioning		
Frame Assembly	Max. Height	Max. clear Width	Max. Area
<ul style="list-style-type: none"> - In Axis +/- 3mm - Vertically +/- 3mm - Total max. 6mm 	5,0m	4,0m	2,5m ²

Description	Material Frame	Material Seal	Material Guide Rail
UV2A100-FM-T4.1	SS 304	EPDM	POM black
UV4A100-FM-T4.1	SS 316	EPDM	POM black
UV2A100-FMPW-T4.1	SS 304	Silicone	POM nature
UV4A100-FMPW-T4.1	SS 316	Silicone	POM nature

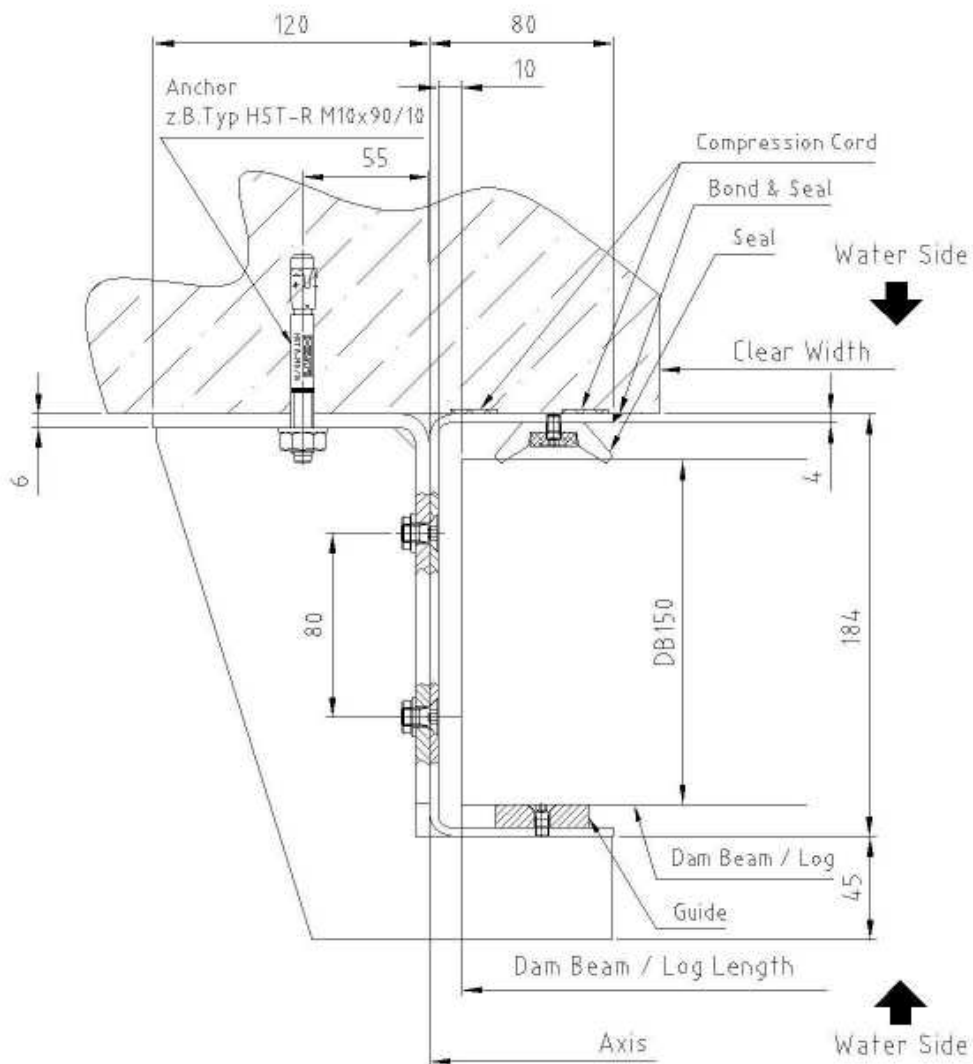
4.3.1.4 Frame 100 T4.1 LM



Mounting Tolerance:	Dimensioning		
Frame Assembly - In Axis + / - 3mm - Vertically + / - 3mm - Total max. 6mm	Max. Height 5,0m	Max. clear Width 4,0m	Max. Area 2,5m ²

Description	Material Frame	Material Seal	Material Guide Rail
UV2A100-LM-T4.1	SS 304	EPDM	POM black
UV4A100-LM-T4.1	SS 316	EPDM	POM black

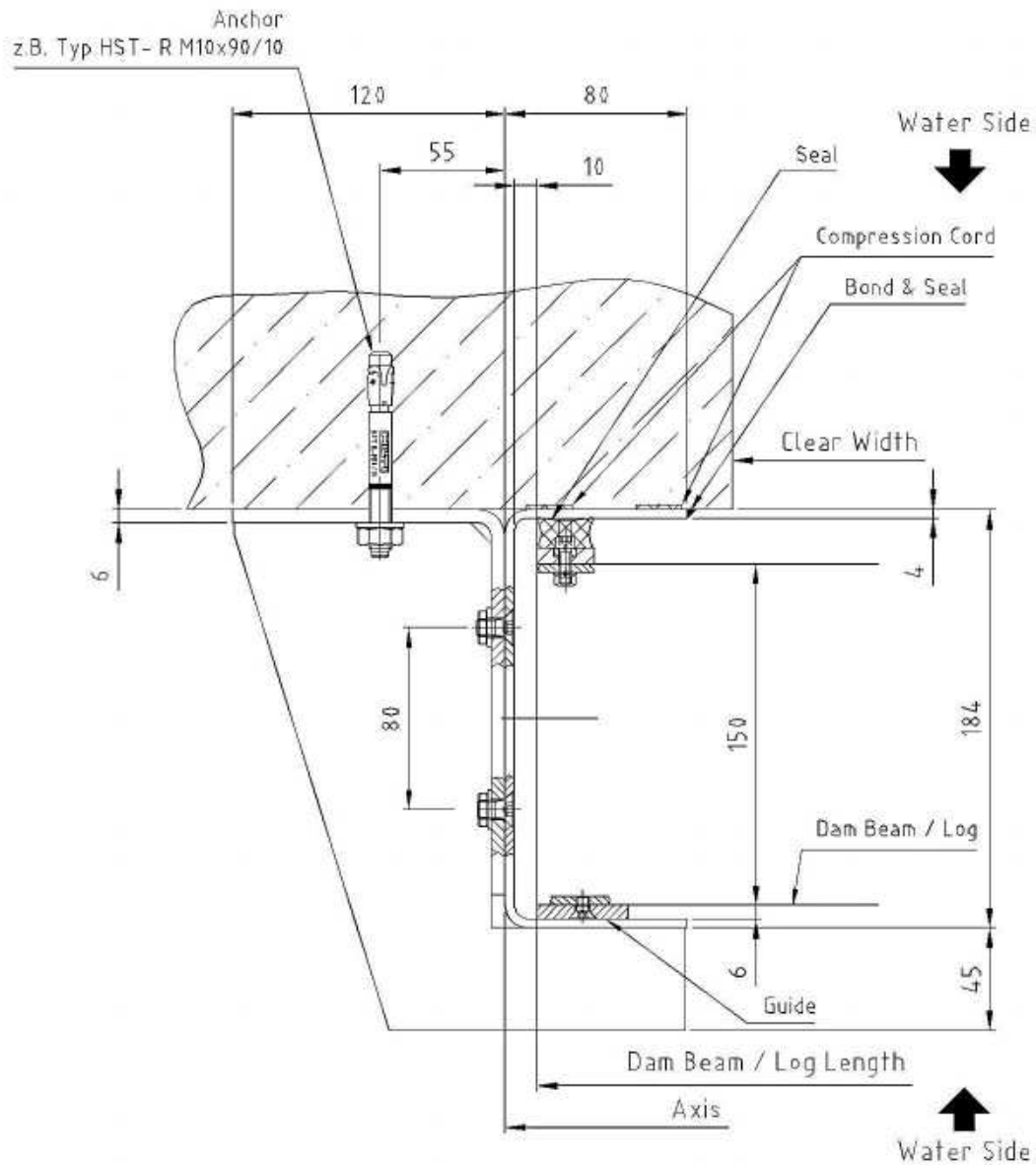
4.3.1.5 Frame 150 T4.1 FM



Mounting Tolerance:	Dimensioning		
Frame Assembly - In Axis +/- 3mm - Vertically +/- 3mm - Total max. 6mm	Max. Height 5,0m	Max. clear Width 4,0m	Max. Area 2,5m ²

Description	Material Frame	Material Seal	Material Guide Rail
UV2A150-FM-T4.1	SS 304	EPDM	POM black
UV4A150-FM-T4.1	SS 316	EPDM	POM black
UV2A150-FMPW-T4.1	SS 304	Silicone	POM nature
UV4A150-FMPW-T4.1	SS 316	Silicone	POM nature

4.3.1.6 Frame 150 T4.1 LM

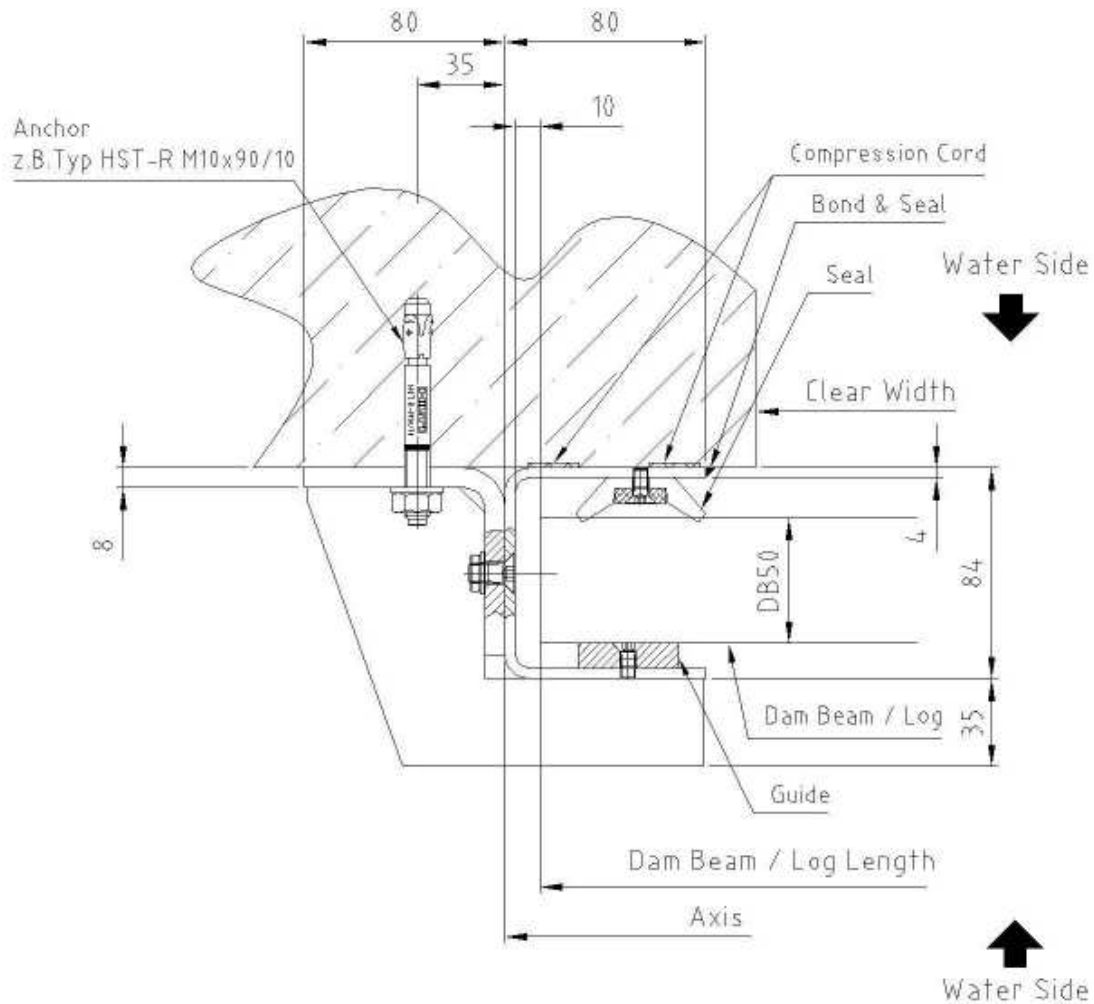


Mounting Tolerance:	Dimensioning		
Frame Assembly - In Axis + / - 3mm - Vertically + / - 3mm - Total max. 6mm	Max. Height 5,0m	Max. clear Width 4,0m	Max. Area 2,5m ²

Description	Material Frame	Material Seal	Material Guide Rail
UV2A150-LM-T4.1	SS 304	EPDM	POM black
UV4A150-LM-T4.1	SS 316	EPDM	POM black

4.3.2 Type 4.2 with Base Plate

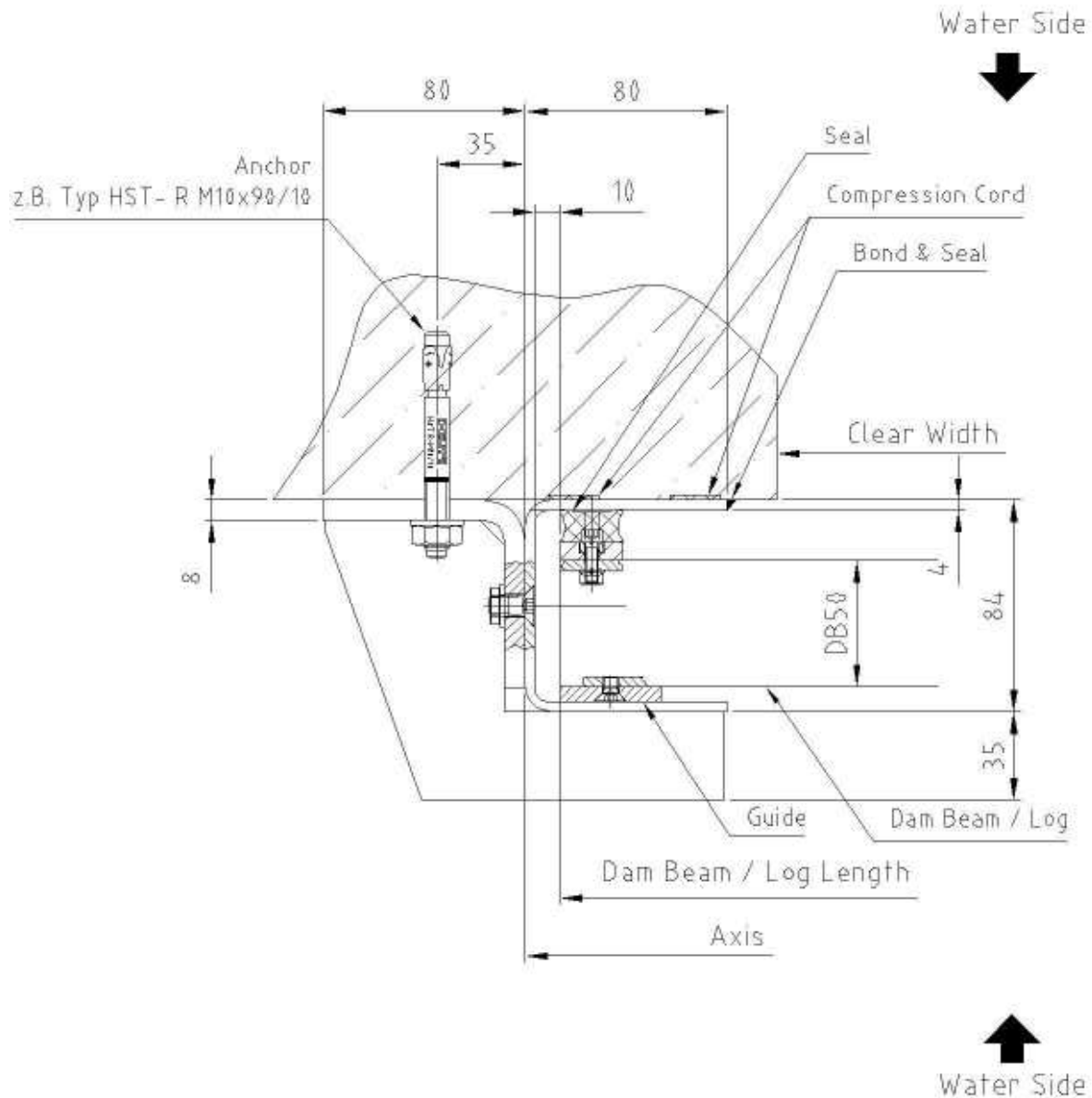
4.3.2.1 Frame 50 T4.2 FM



Mounting Tolerance:	Dimensioning		
Frame Assembly - In Axis +/- 3mm - Vertically +/- 3mm - Total max. 6mm	Max. Height 8,0m	Max. clear Width 6,0m	Max. Area 4,5m ²

Description	Material Frame	Material Seal	Material Guide Rail
UV2A50-FM-T4.2	SS 304	EPDM	POM black
UV4A50-FM-T4.2	SS 316	EPDM	POM black
UV2A50-FMPW-T4.2	SS 304	Silicone	POM nature
UV4A50-FMPW-T4.2	SS 316	Silicone	POM nature

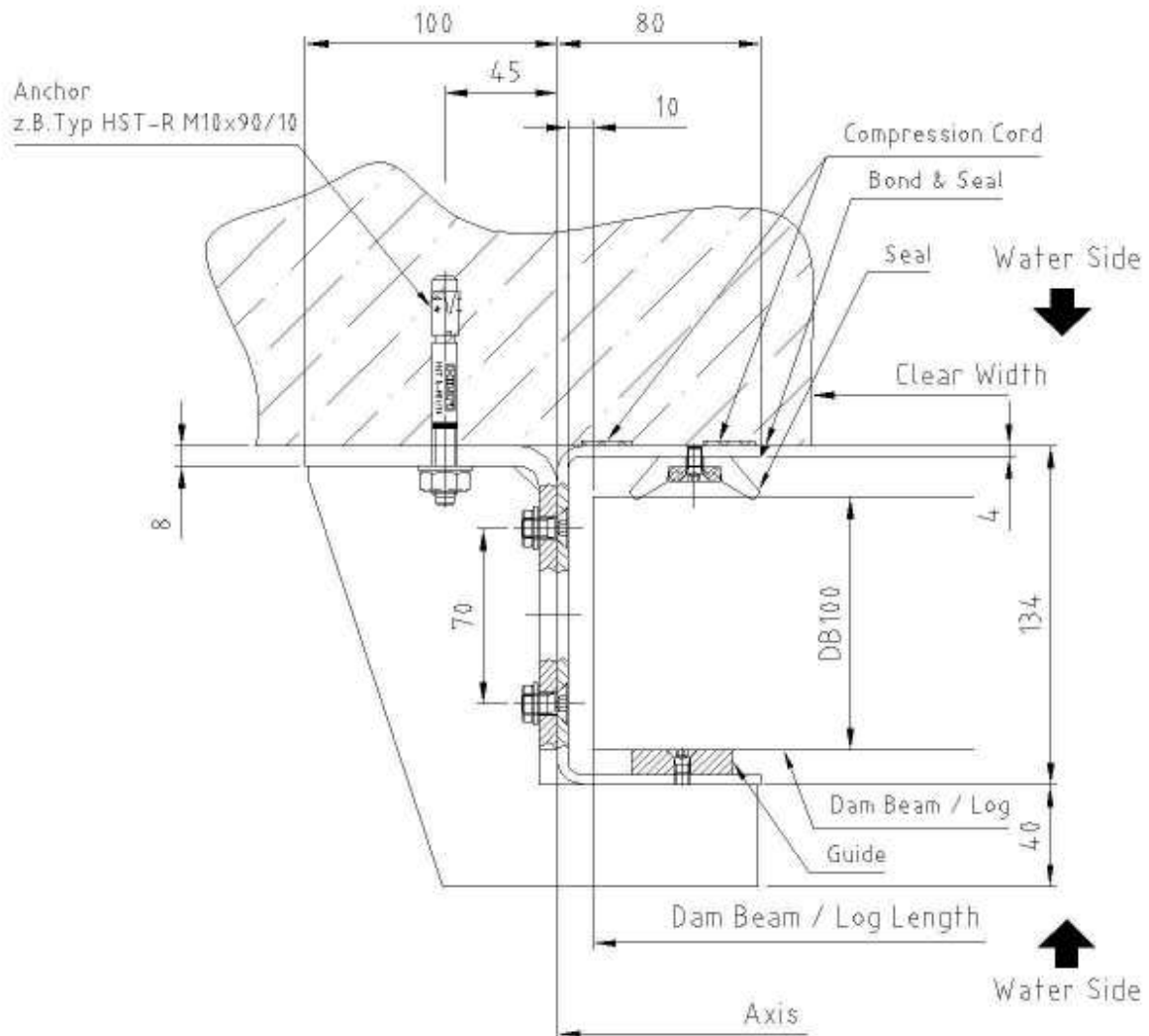
4.3.2.2 Frame 50 T4.2 LM



Mounting Tolerance:	Dimensioning		
Frame Assembly - In Axis + / - 3mm - Vertically + / - 3mm - Total max. 6mm	Max. Height 8,0m	Max. clear Width 6,0m	Max. Area 4,5m ²

Description	Material Frame	Material Seal	Material Guide Rail
UV2A50-LM-T4.2	SS 304	EPDM	POM black
UV4A50-LM-T4.2	SS 316	EPDM	POM black

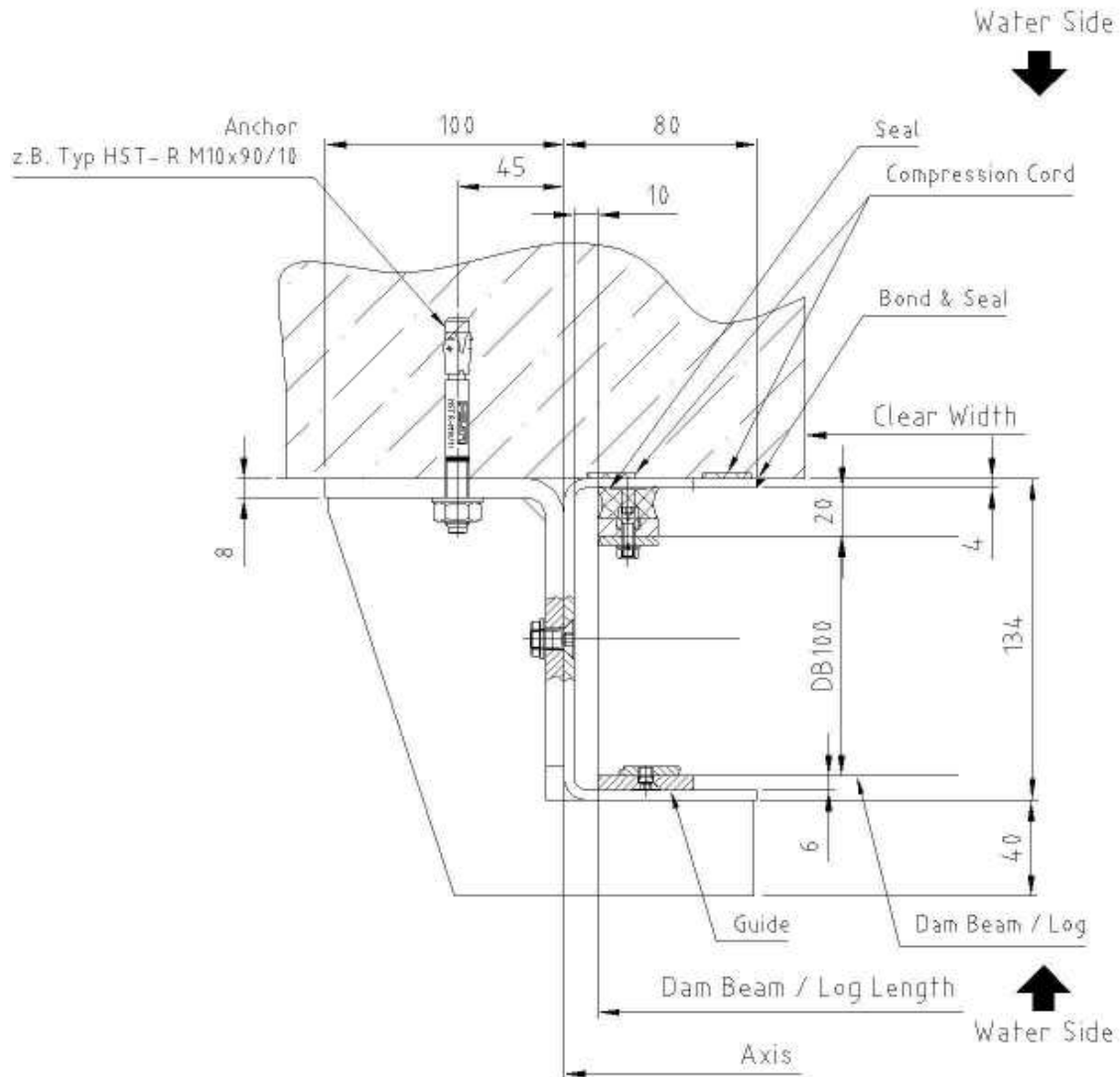
4.3.2.3 Frame 100 T4.2 FM



Mounting Tolerance:	Dimensioning		
Frame Assembly - In Axis + / - 3mm - Vertically + / - 3mm - Total max. 6mm	Max. Height 8,0m	Max. clear Width 6,0m	Max. Area 4,5m ²

Description	Material Frame	Material Seal	Material Guide Rail
UV2A100-FM-T4.2	SS 304	EPDM	POM black
UV4A100-FM-T4.2	SS 316	EPDM	POM black
UV2A100-FMPW-T4.2	SS 304	Silicone	POM nature
UV4A100-FMPW-T4.2	SS 316	Silicone	POM nature

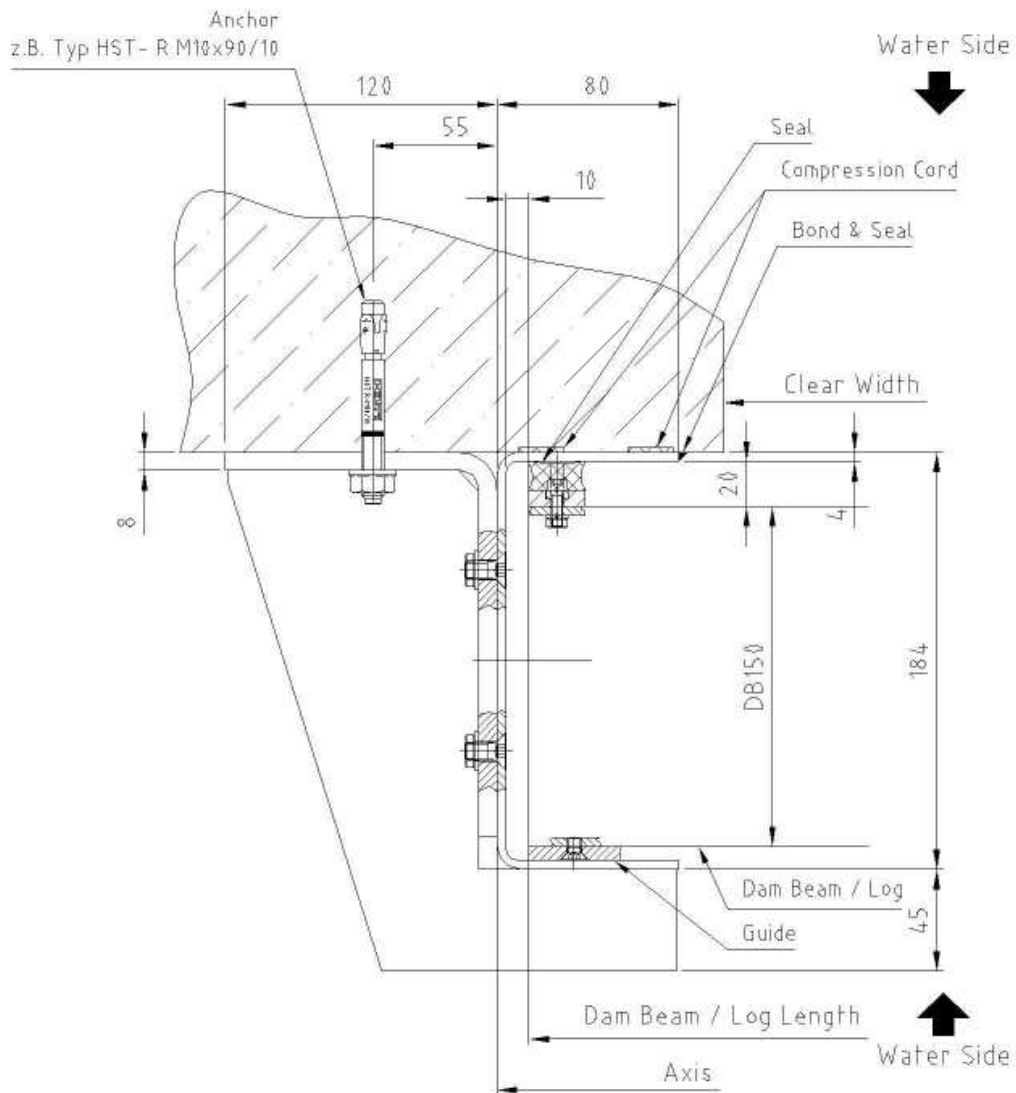
4.3.2.4 Frame 100 T4.2 LM



Mounting Tolerance:	Dimensioning		
Frame Assembly - In Axis +/- 3mm - Vertically +/- 3mm - Total max. 6mm	Max. Height 8,0m	Max. clear Width 6,0m	Max. Area 4,5m ²

Description	Material Frame	Material Seal	Material Guide Rail
UV2A100-LM-T4.2	SS 304	EPDM	POM black
UV4A100-LM-T4.2	SS 316	EPDM	POM black

4.3.2.6 Frame 150 T4.2 LM



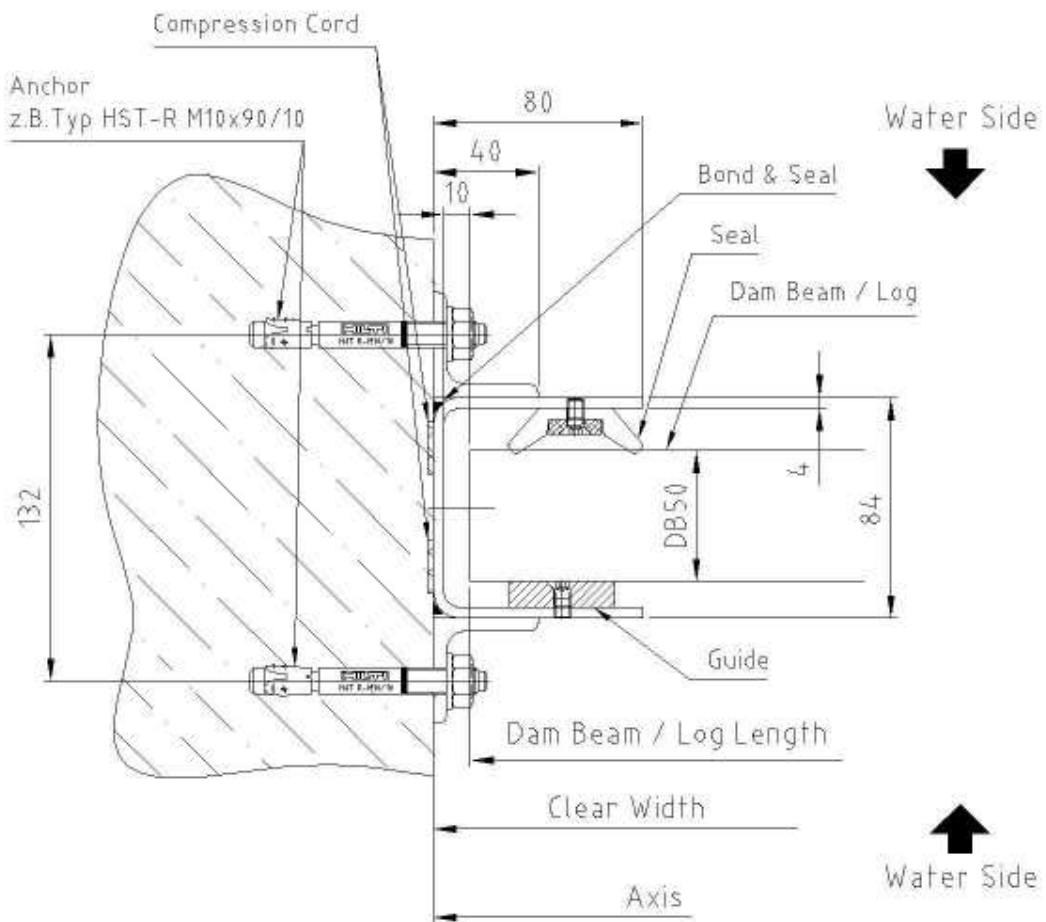
Mounting Tolerance:	Dimensioning		
Frame Assembly - In Axis +/- 3mm - Vertically +/- 3mm - Total max. 6mm	Max. Height 8,0m	Max. clear Width 6,0m	Max. Area 4,5m ²

Description	Material Frame	Material Seal	Material Guide Rail
UV2A150-LM-T4.2	SS 304	EPDM	POM black
UV4A150-LM-T4.2	SS 316	EPDM	POM black

4.4 Mounting Types – Side Wall Mounted

4.4.1 Type 5.1 with Wall Bracket

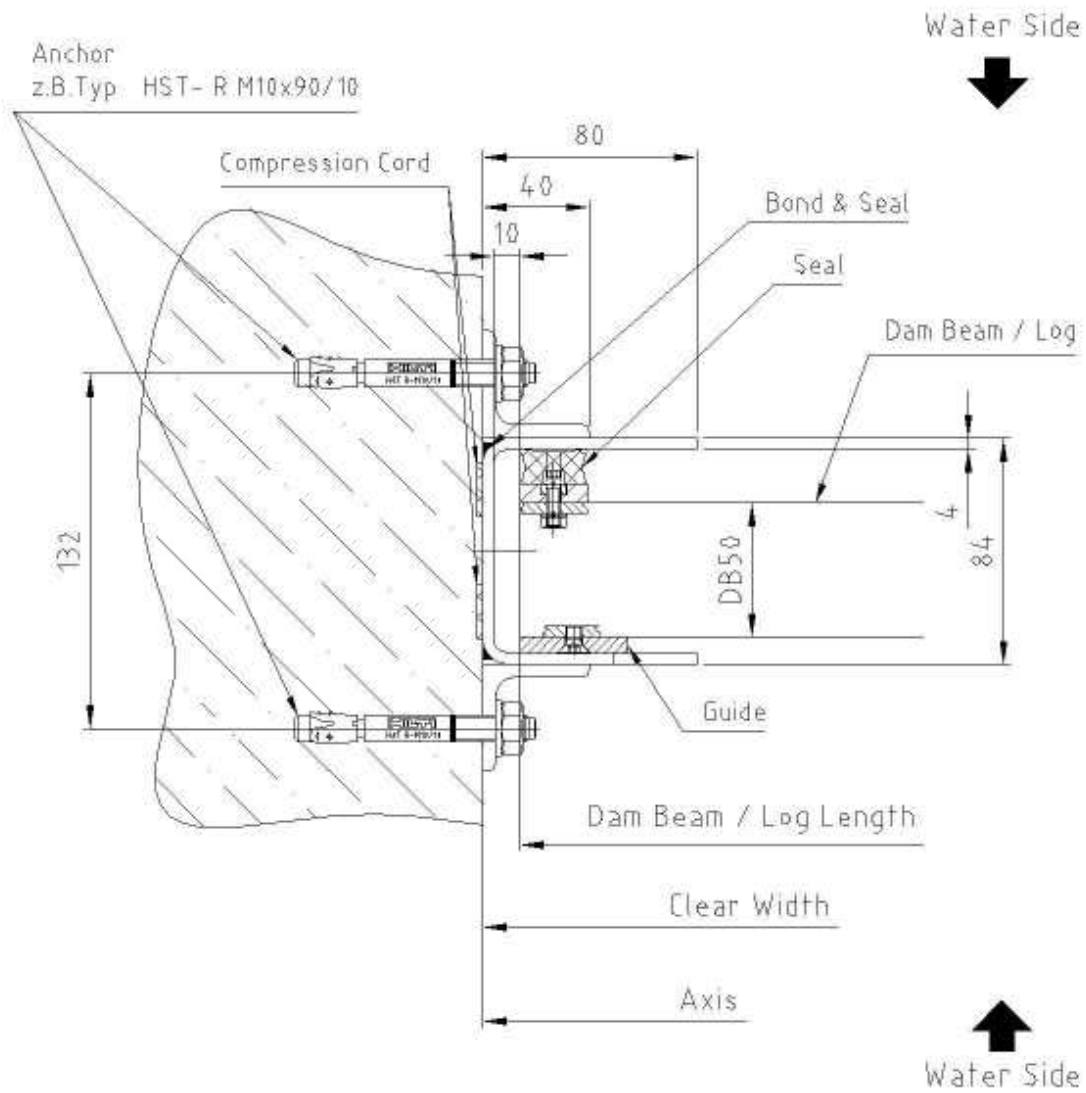
4.4.1.1 Frame 50 T5.1 FM



Mounting Tolerance:	Dimensioning		
Frame Assembly - In Axis + / - 3mm - Vertically + / - 3mm - Total max. 6mm	Max. Height 2,0m	Max. clear Width 2,0m	Max.Area 1,0m ²

Description	Material Frame	Material Seal	Material Guide Rail
UV2A50-FM-T5.1	SS 304	EPDM	POM black
UV4A50-FM-T5.1	SS 316	EPDM	POM black
UV2A50-FMPW-T5.1	SS 304	Silicone	POM nature
UV4A50-FMPW-T5.1	SS 316	Silicone	POM nature

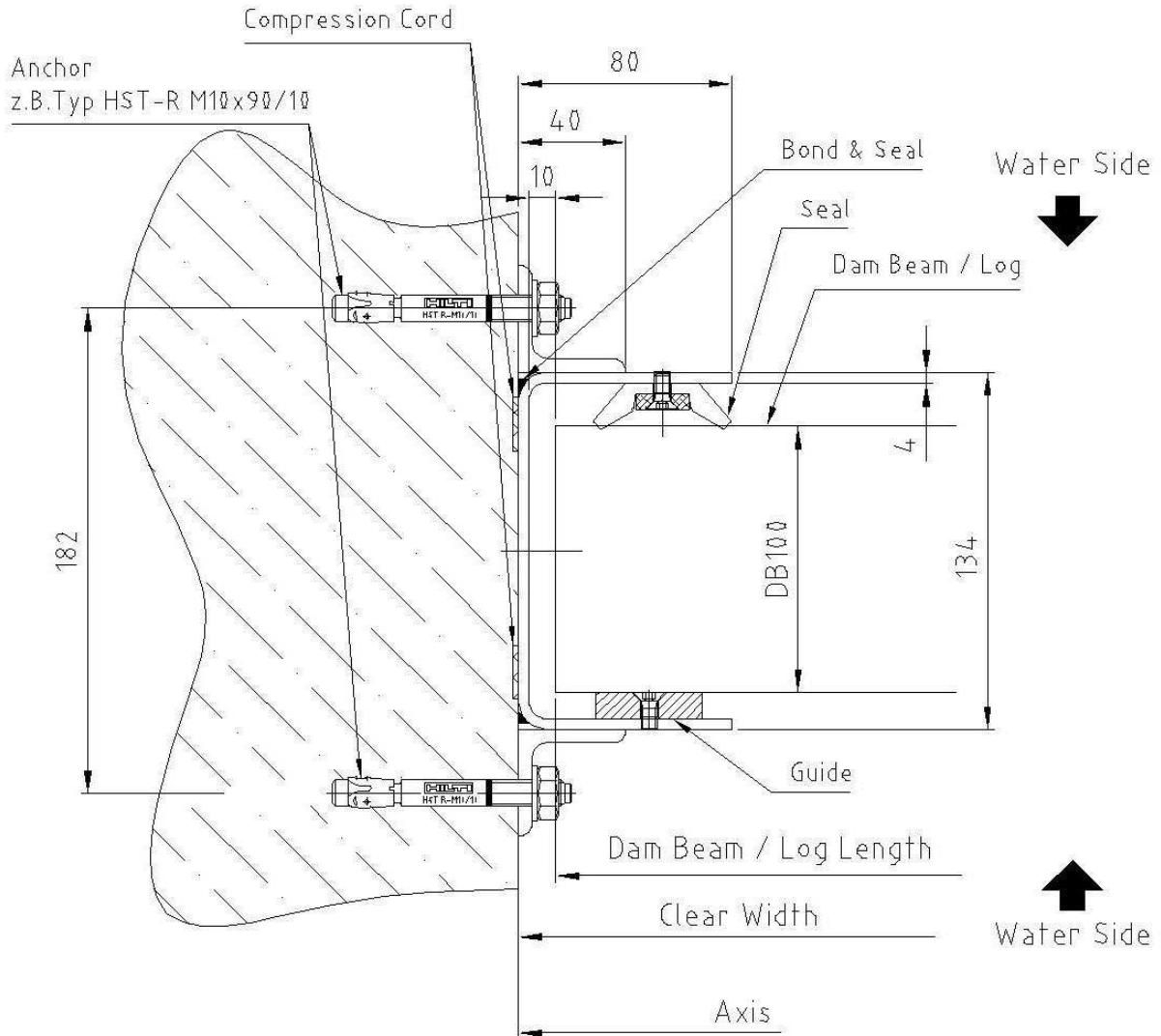
4.4.1.2 Frame 50 T5.1 LM



Mounting Tolerance:	Dimensioning		
Frame Assembly - In Axis + / - 3mm - Vertically + / - 3mm - Total max. 6mm	Max. Height 2,0m	Max. clear Width 2,0m	Max. Area 1,0m ²

Description	Material Frame	Material Seal	Material Guide Rail
UV2A50-LM-T5.1	SS 304	EPDM	POM black
UV4A50-LM-T5.1	SS 316	EPDM	POM black

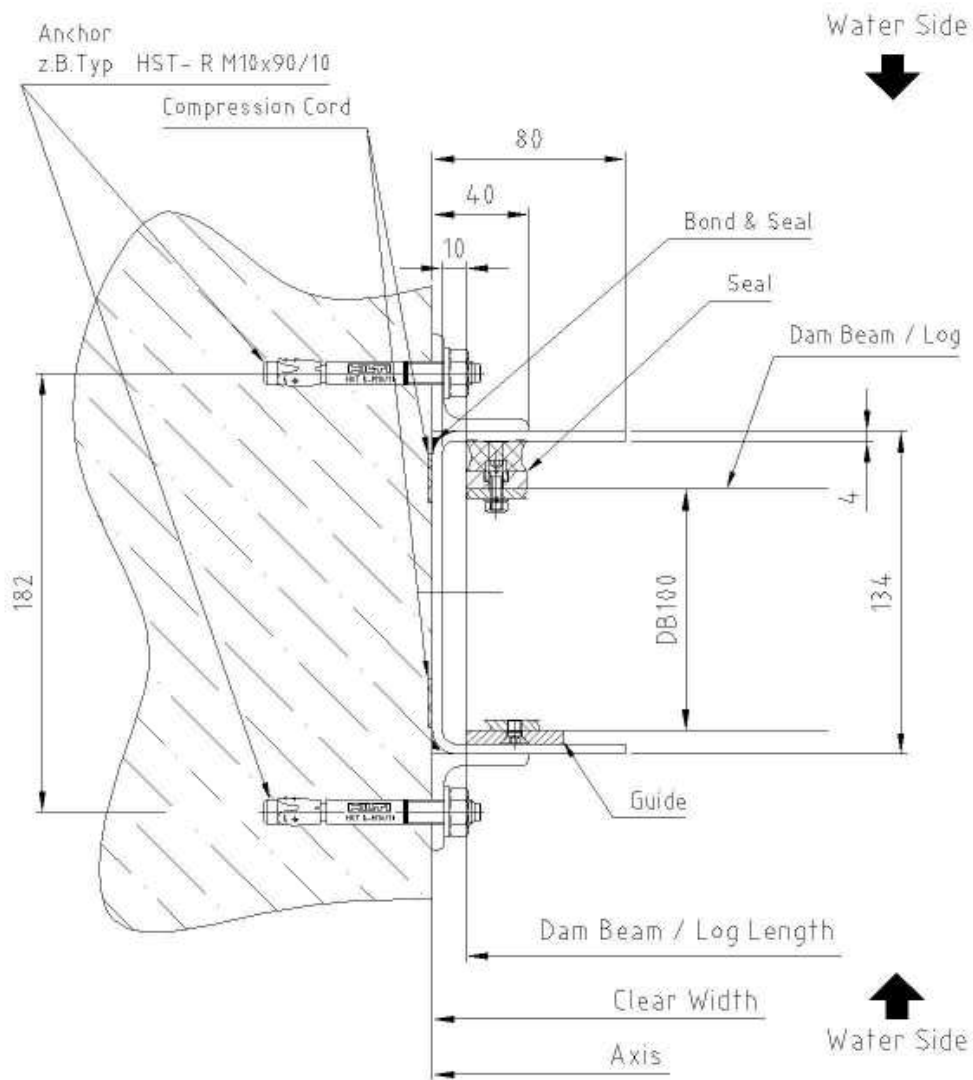
4.4.1.3 Frame 100 T5.1 FM



Mounting Tolerance:	Dimensioning		
Frame Assembly - In Axis +/- 3mm - Vertically +/- 3mm - Total max. 6mm	Max. Height 2,0m	Max. clear Width 2,0m	Max. Area 1,0m ²

Description	Material Frame	Material Seal	Material Guide Rail
UV2A100-FM-T5.1	SS 304	EPDM	POM black
UV4A100-FM-T5.1	SS 316	EPDM	POM black
UV2A100-FMPW-T5.1	SS 304	Silicone	POM nature
UV4A100-FMPW-T5.1	SS 316	Silicone	POM nature

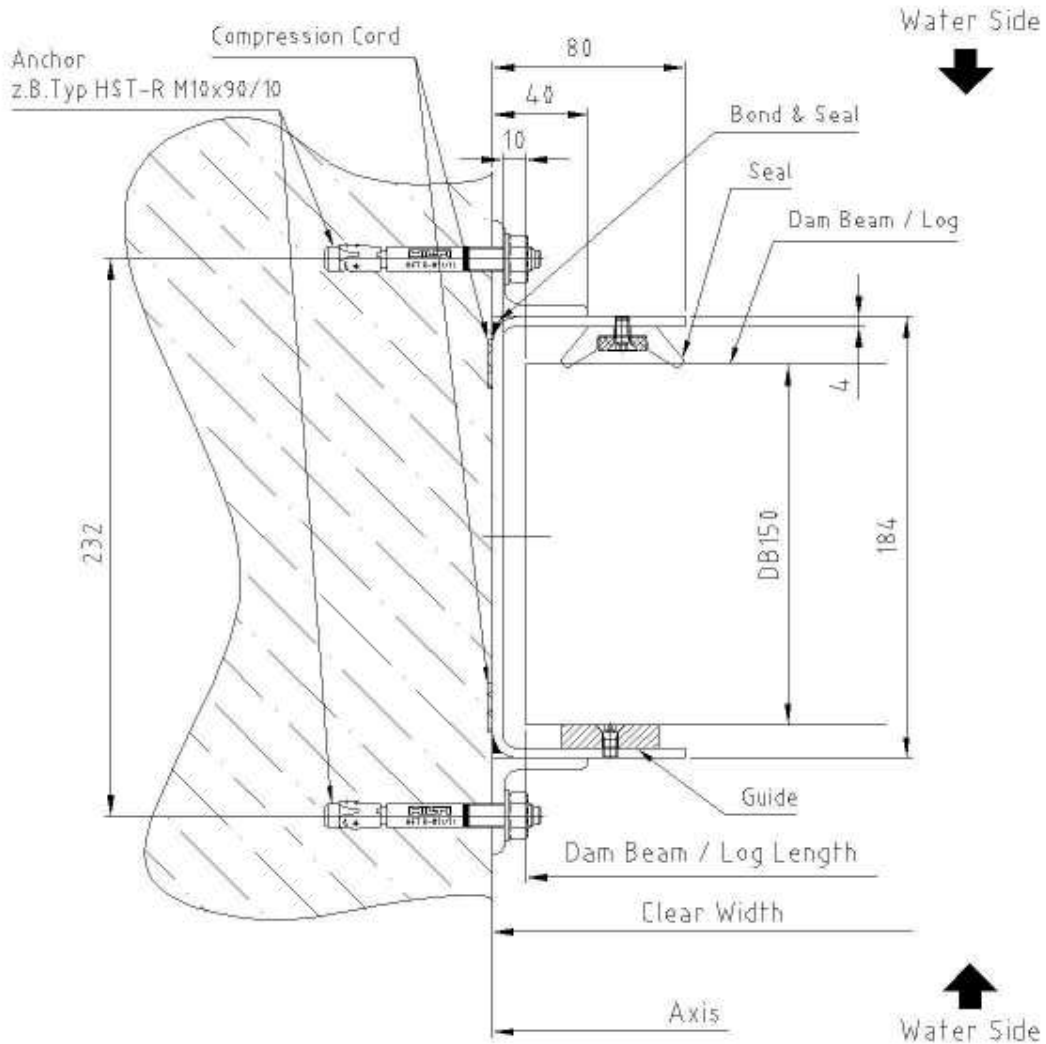
4.4.1.4 Frame 100 T5.1 LM



Mounting Tolerance:	Dimensioning		
Frame Assembly - In Axis + / - 3mm - Vertically + / - 3mm - Total max. 6mm	Max. Height 2,0m	Max. clear Width 2,0m	Max. Area 1,0m ²

Description	Material Frame	Material Seal	Material Guide Rail
UV2A100-LM-T5.1	SS 304	EPDM	POM black
UV4A100-LM-T5.1	SS 316	EPDM	POM black

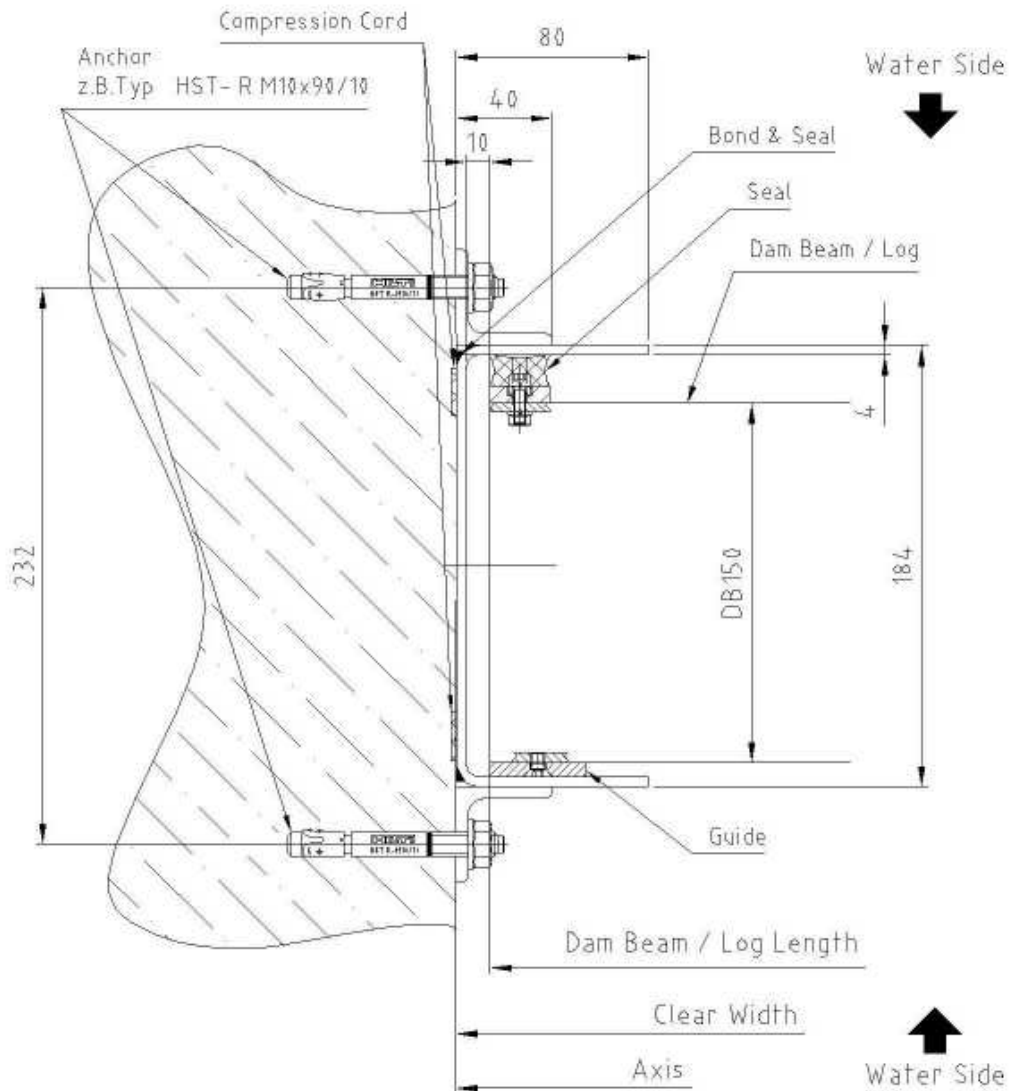
4.4.1.5 Frame 150 T5.1 FM



Mounting Tolerance:	Dimensioning		
Frame Assembly - In Axis +/- 3mm - Vertically +/- 3mm - Total max. 6mm	Max. Height 2,0m	Max. clear Width 2,0m	Max.Area 1,0m ²

Description	Material Frame	Material Seal	Material Guide Rail
UV2A150-FM-T5.1	SS 304	EPDM	POM black
UV4A150-FM-T5.1	SS 316	EPDM	POM black
UV2A150-FMPW-T5.1	SS 304	Silicone	POM nature
UV4A150-FMPW-T5.1	SS 316	Silicone	POM nature

4.4.1.6 Frame 150 T5.1 LM

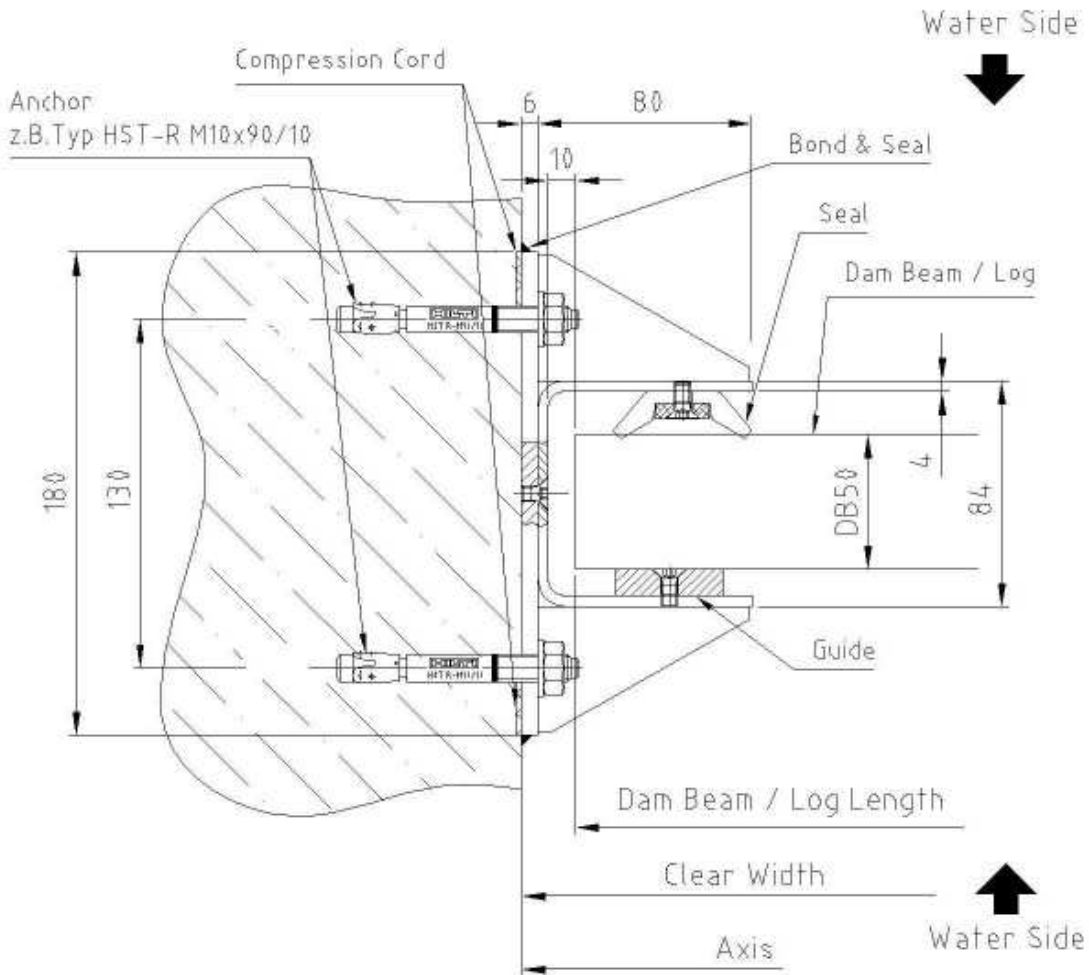


Mounting Tolerance:	Dimensioning		
Frame Assembly - In Axis +/- 3mm - Vertically +/- 3mm - Total max. 6mm	Max. Height 2,0m	Max. clear Width 2,0m	Max. Area 1,0m ²

Description	Material Frame	Material Seal	Material Guide Rail
UV2A150-LM-T5.1	SS 304	EPDM	POM black
UV4A150-LM-T5.1	SS 316	EPDM	POM black

4.4.2 Type 5.2 with Base Plate

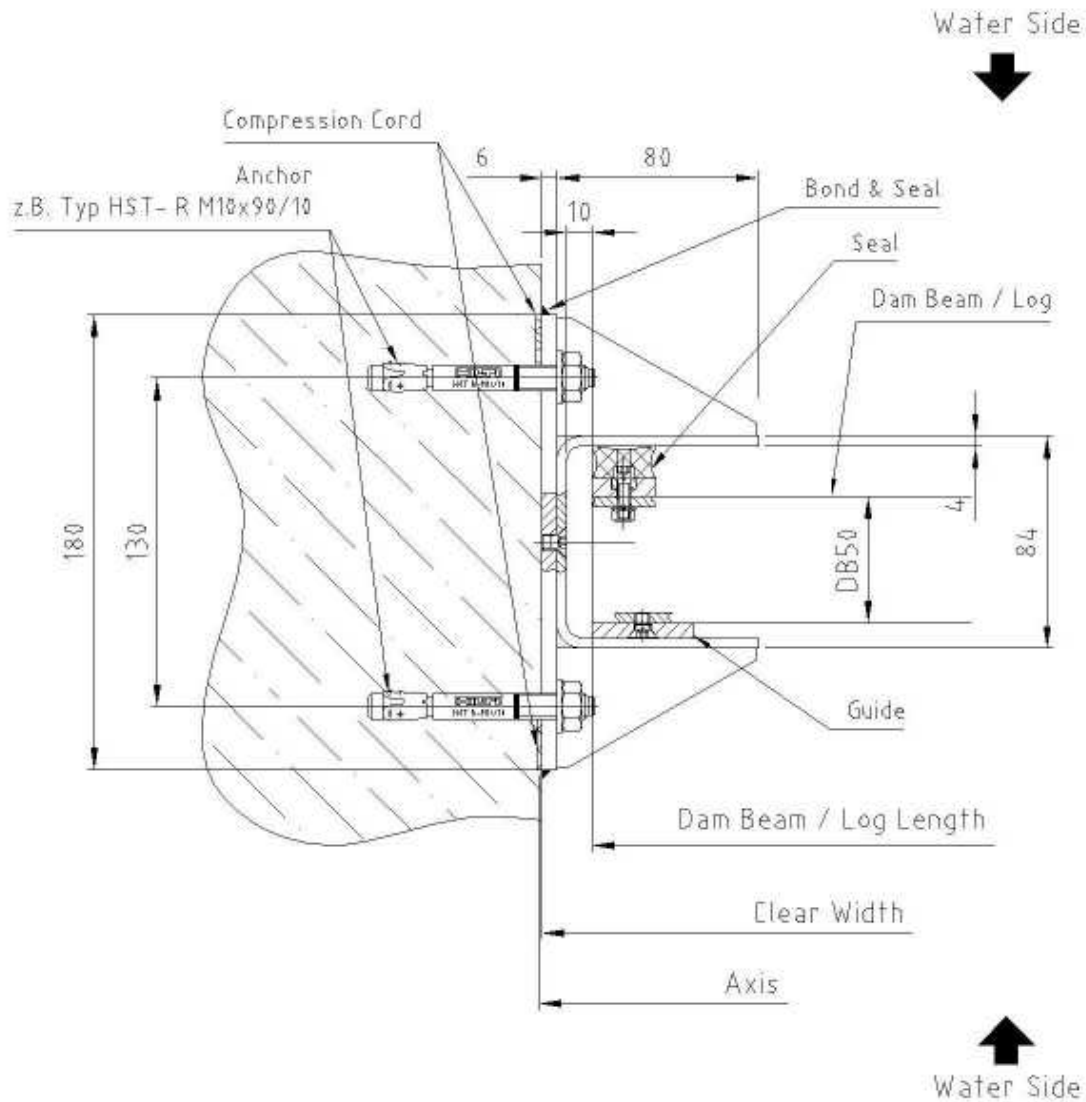
4.4.2.1 Frame 50 T5.2 FM



Mounting Tolerance:	Dimensioning		
Frame Assembly - In Axis + / - 3mm - Vertically + / - 3mm - Total max. 6mm	Max. Height 5,0m	Max. clear Width 4,0m	Max. Area 2,5m ²

Description	Material Frame	Material Seal	Material Guide Rail
UV2A50-FM-T5.2	SS 304	EPDM	POM black
UV4A50-FM-T5.2	SS 316	EPDM	POM black
UV2A50-FMPW-T5.2	SS 304	Silicone	POM nature
UV4A50-FMPW-T5.2	SS 316	Silicone	POM nature

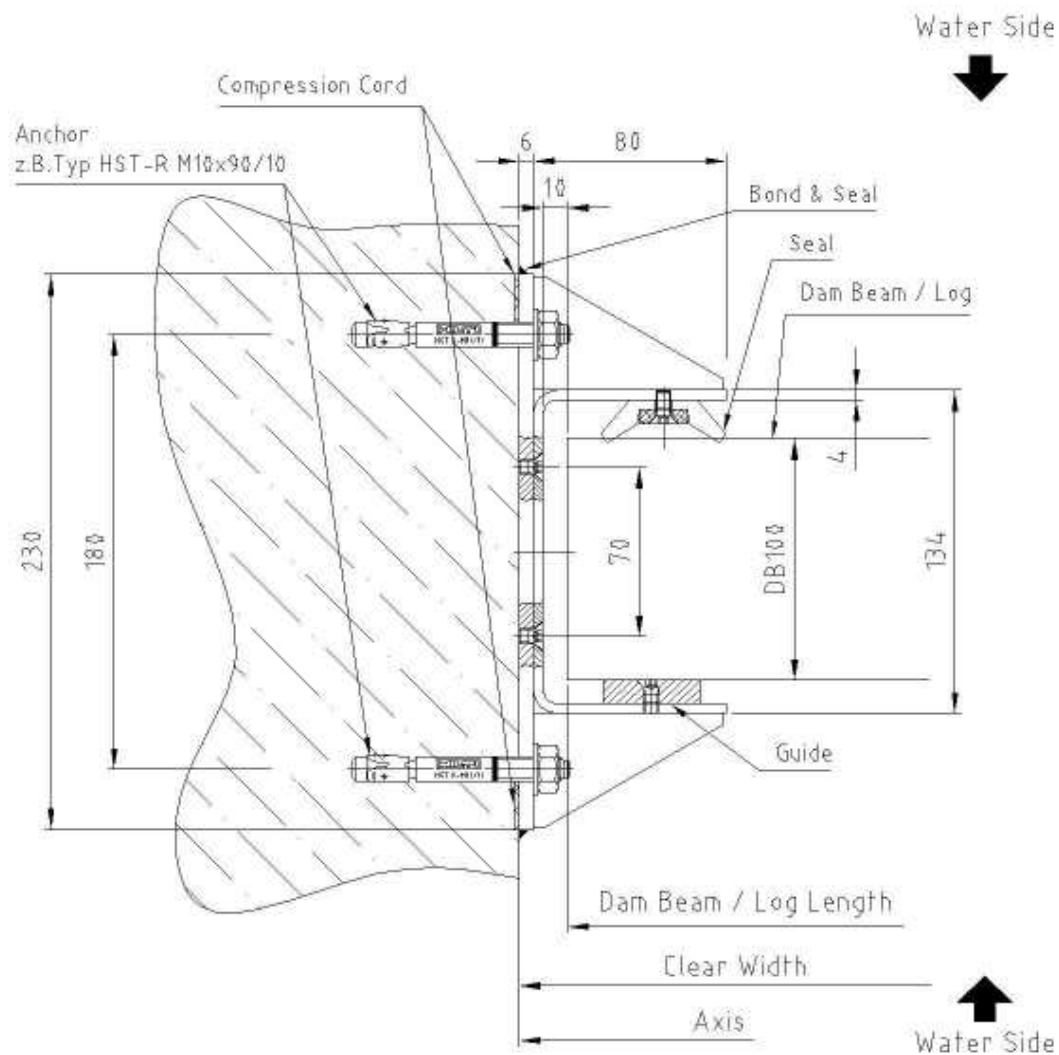
4.4.2.2 Frame 50 T5.2 LM



Mounting Tolerance:	Dimensioning		
Frame Assembly - In Axis +/- 3mm - Vertically +/- 3mm - Total max. 6mm	Max. Height 5,0m	Max. clear Width 4,0m	Max. Area 2,5m ²

Description	Material Frame	Material Seal	Material Guide Rail
UV2A50-LM-T5.2	SS 304	EPDM	POM black
UV4A50-LM-T5.2	SS 316	EPDM	POM black

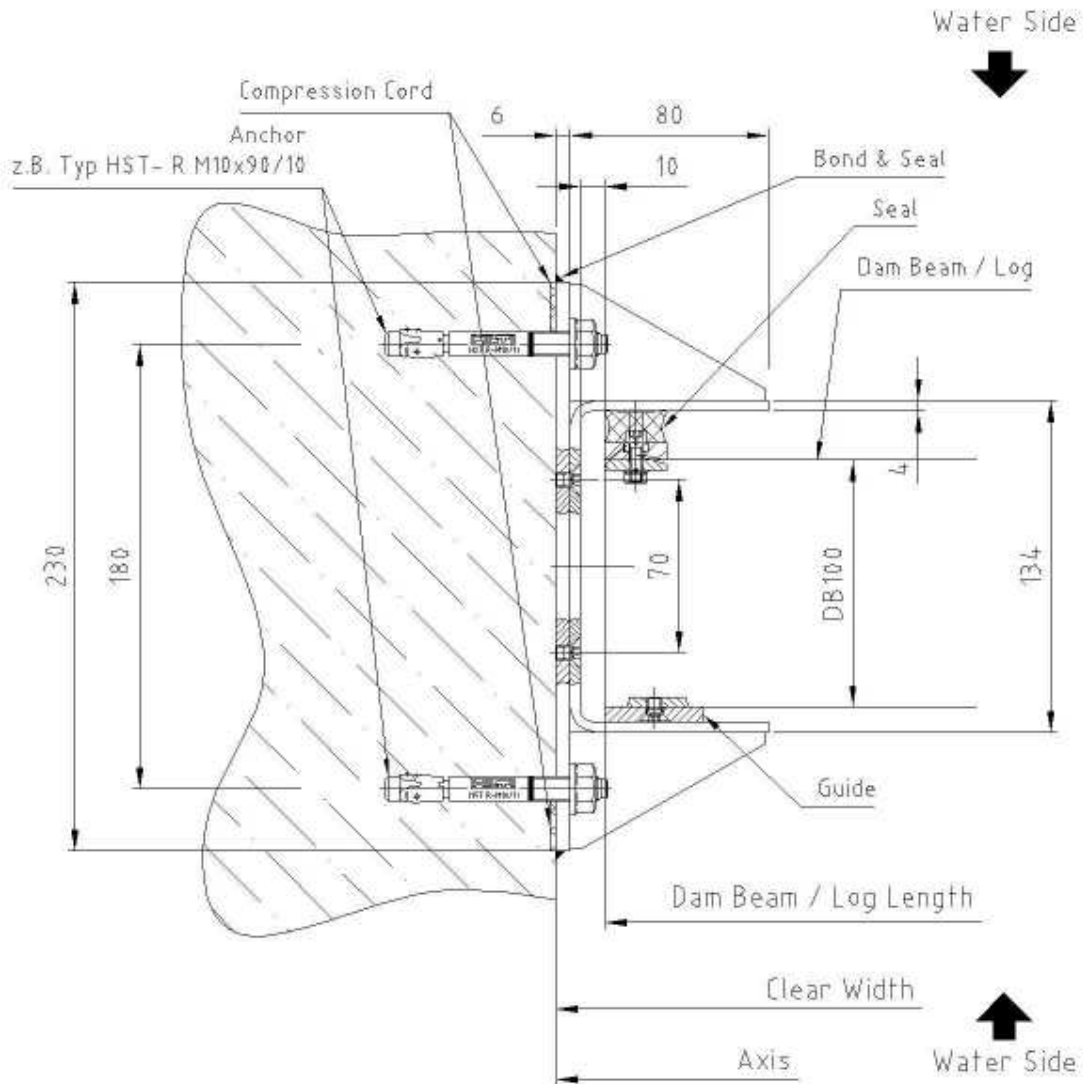
4.4.2.3 Frame 100 T5.2 FM



Mounting Tolerance:	Dimensioning		
Frame Assembly - In Axis + / - 3mm - Vertically + / - 3mm - Total max. 6mm	Max. Height 5,0m	Max. clear Width 4,0m	Max. Area 2,5m ²

Description	Material Frame	Material Seal	Material Guide Rail
UV2A100-FM-T5.2	SS 304	EPDM	POM black
UV4A100-FM-T5.2	SS 316	EPDM	POM black
UV2A100-FMPW-T5.2	SS 304	Silicone	POM nature
UV4A100-FMPW-T5.2	SS 316	Silicone	POM nature

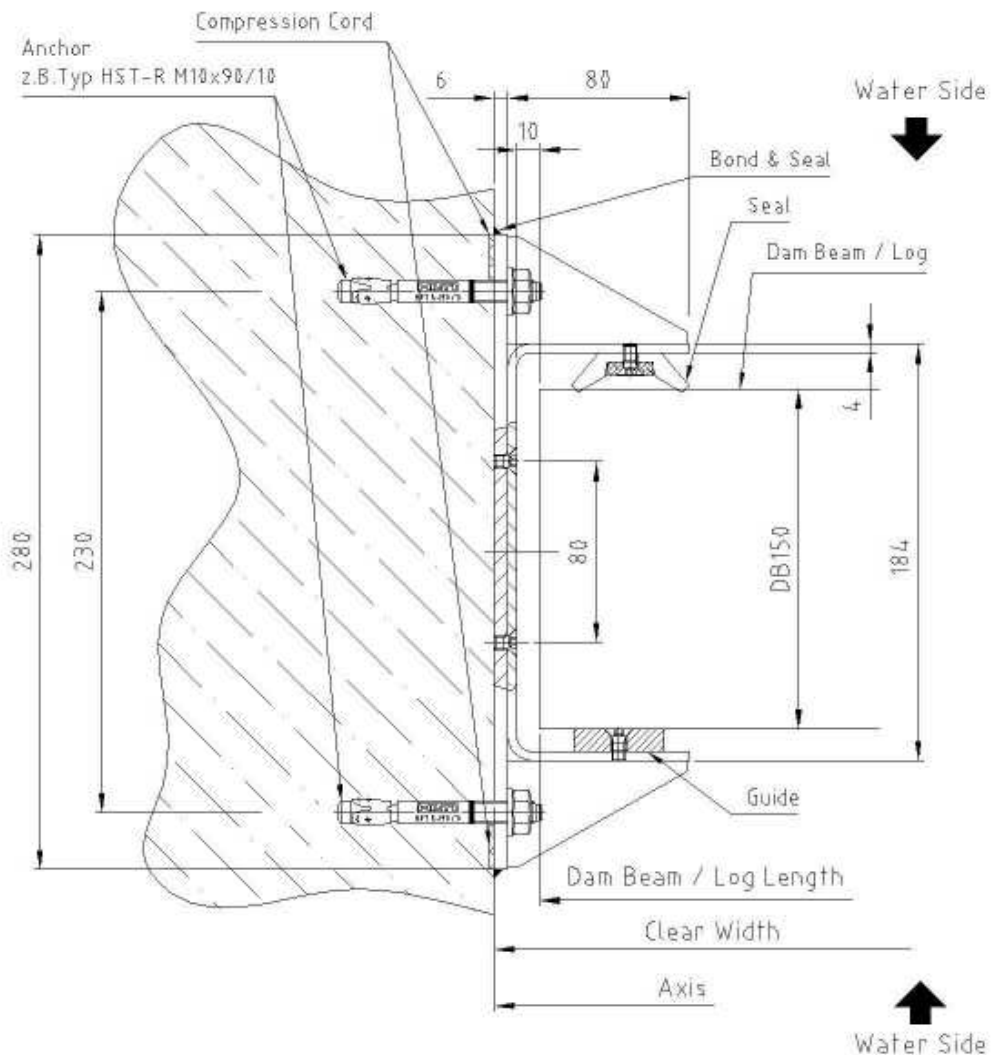
4.4.2.4 Frame 100 T5.2 LM



Mounting Tolerance:	Dimensioning		
Frame Assembly - In Axis + / - 3mm - Vertically + / - 3mm - Total max. 6mm	Max. Height 5,0m	Max. clear Width 4,0m	Max. Area 2,5m ²

Description	Material Frame	Material Seal	Material Guide Rail
UV2A100-LM-T5.2	SS 304	EPDM	POM black
UV4A100-LM-T5.2	SS 316	EPDM	POM black

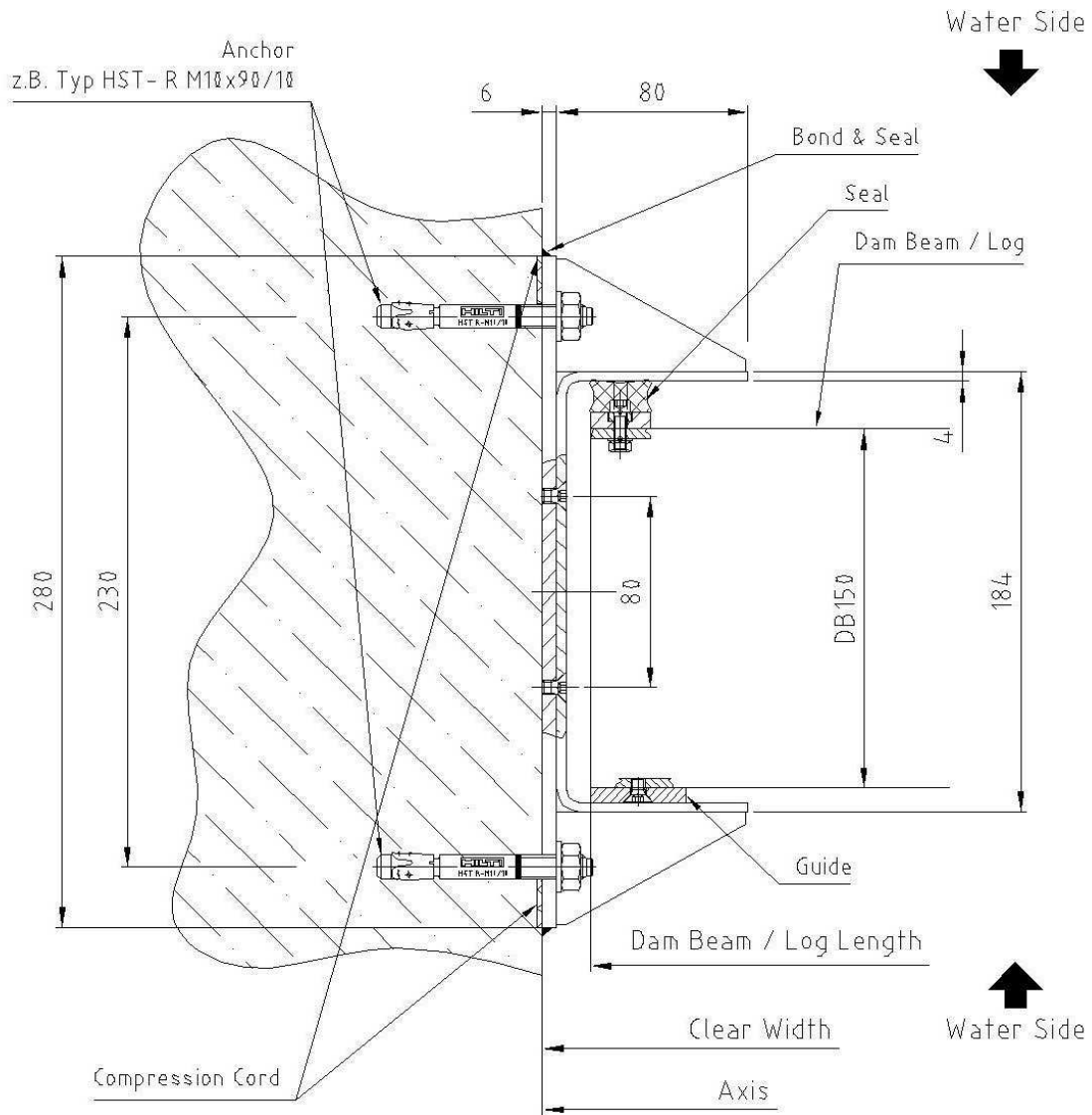
4.4.2.5 Frame 150 T5.2 FM



Mounting Tolerance:	Dimensioning		
Frame Assembly - In Axis +/- 3mm - Vertically +/- 3mm - Total max. 6mm	Max. Height 5,0m	Max. clear Width 4,0m	Max. Area 2,5m ²

Description	Material Frame	Material Seal	Material Guide Rail
UV2A150-FM-T5.2	SS 304	EPDM	POM black
UV4A150-FM-T5.2	SS 316	EPDM	POM black
UV2A150-FMPW-T5.2	SS 304	Silicone	POM nature
UV4A150-FMPW-T5.2	SS 316	Silicone	POM nature

4.4.2.6 Frame 150 T5.2 LM

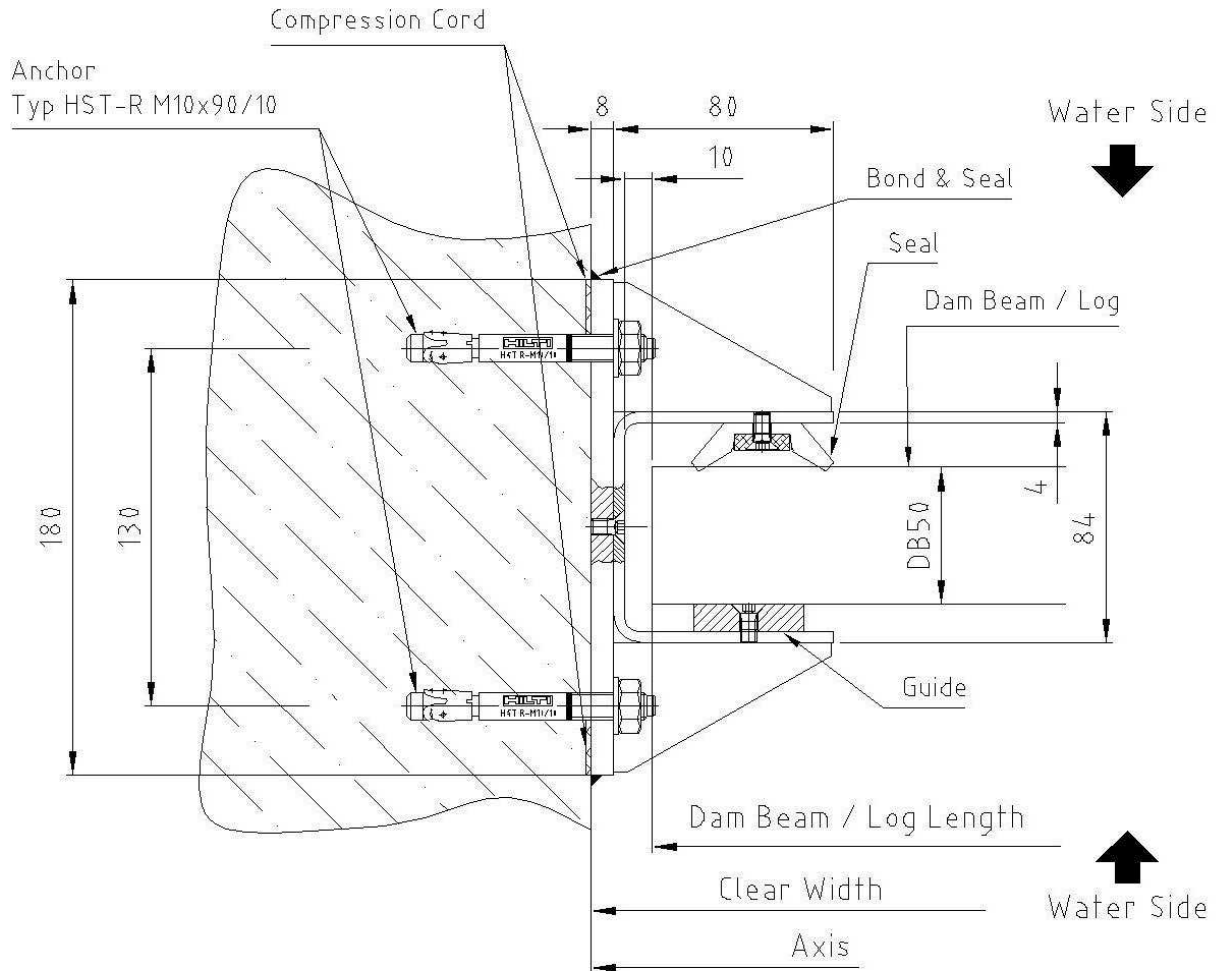


Mounting Tolerance:	Dimensioning		
Frame Assembly - In Axis +/- 3mm - Vertically +/- 3mm - Total max. 6mm	Max. Height 5,0m	Max. clear Width 4,0m	Max. Area 2,5m ²

Description	Material Frame	Material Seal	Material Guide Rail
UV2A150-LM-T5.2	SS 304	EPDM	POM black
UV4A150-LM-T5.2	SS 316	EPDM	POM black

4.4.3 Type 5.3 with Base Plate

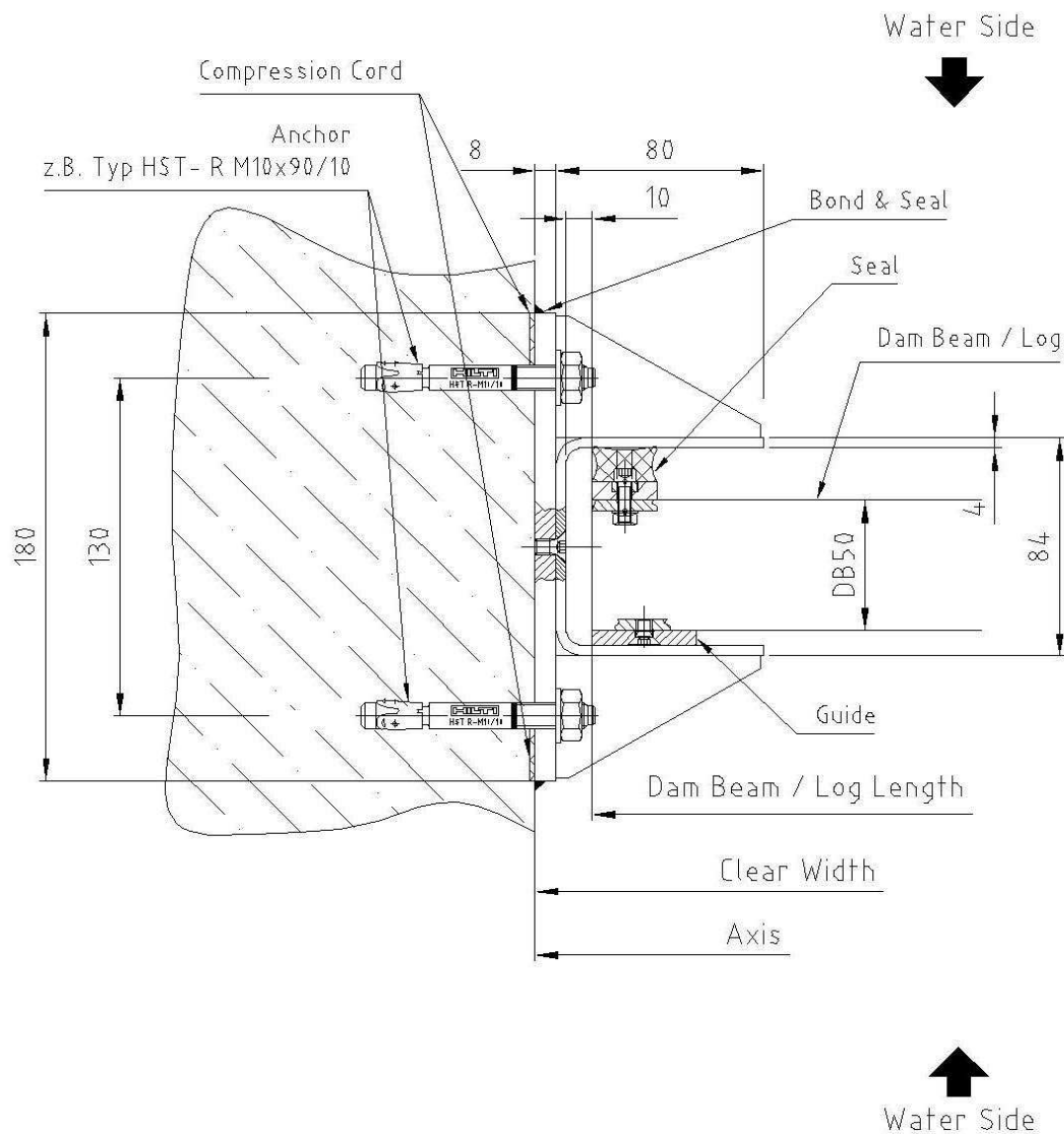
4.4.3.1 Frame 50 T5.3 FM



Mounting Tolerance:	Dimensioning		
Frame Assembly - In Axis + / - 3mm - Vertically + / - 3mm - Total max. 6mm	Max. Height 8,0m	Max. clear Width 6,0m	Max. Area 4,5m ²

Description	Material Frame	Material Seal	Material Guide Rail
UV2A50-FM-T5.3	SS 304	EPDM	POM black
UV4A50-FM-T5.3	SS 316	EPDM	POM black
UV2A50-FMPW-T5.3	SS 304	Silicone	POM nature
UV4A50-FMPW-T5.3	SS 316	Silicone	POM nature

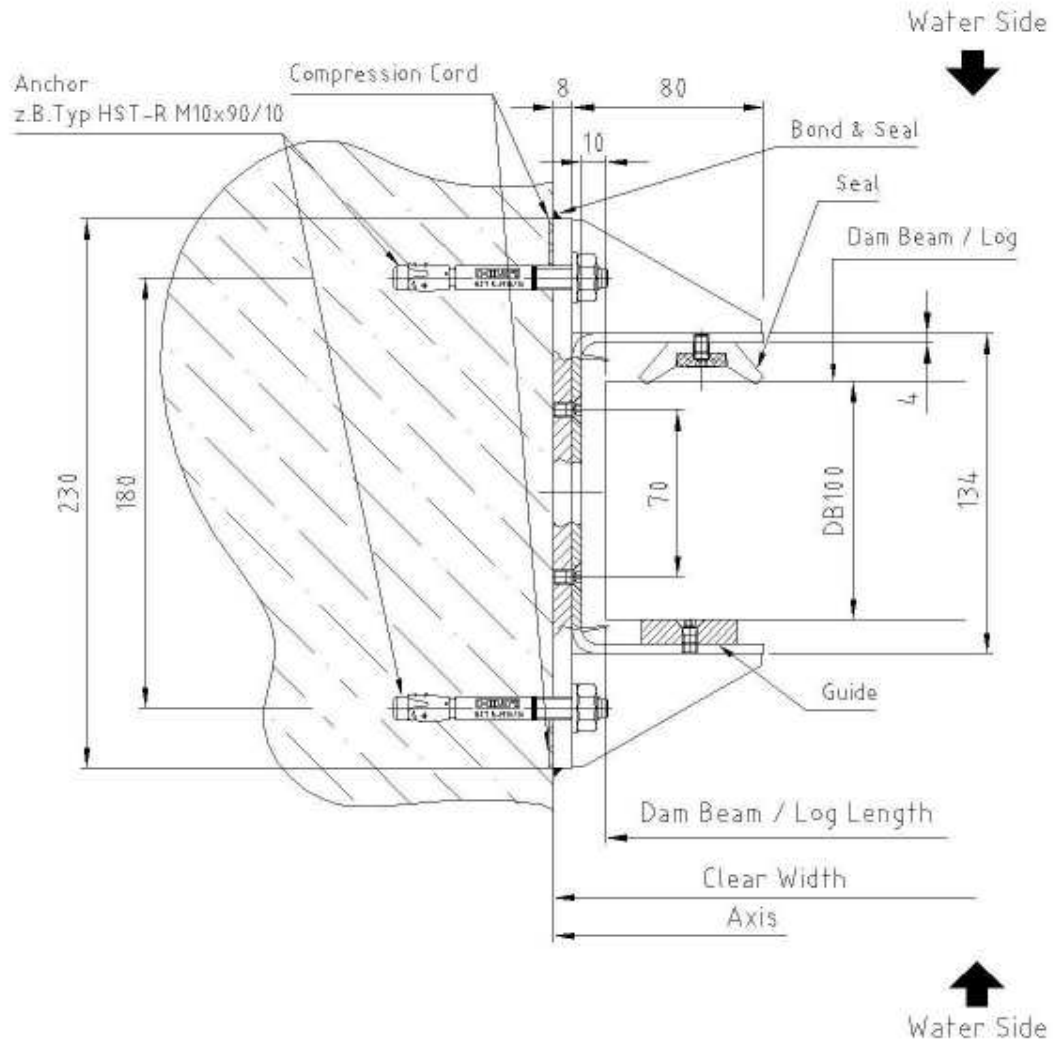
4.4.3.2 Frame 50 T5.3 LM



Toleranzangaben	Dimensioning		
Frame Assembly - In Axis + / - 3mm - Vertically + / - 3mm - Total max. 6mm	Max. Height 8,0m	Max. clear Width 6,0m	Max. Area 4,5m ²

Description	Material Frame	Material Seal	Material Guide Rail
UV2A50-LM-T5.3	SS 304	EPDM	POM black
UV4A50-LM-T5.3	SS 316	EPDM	POM black

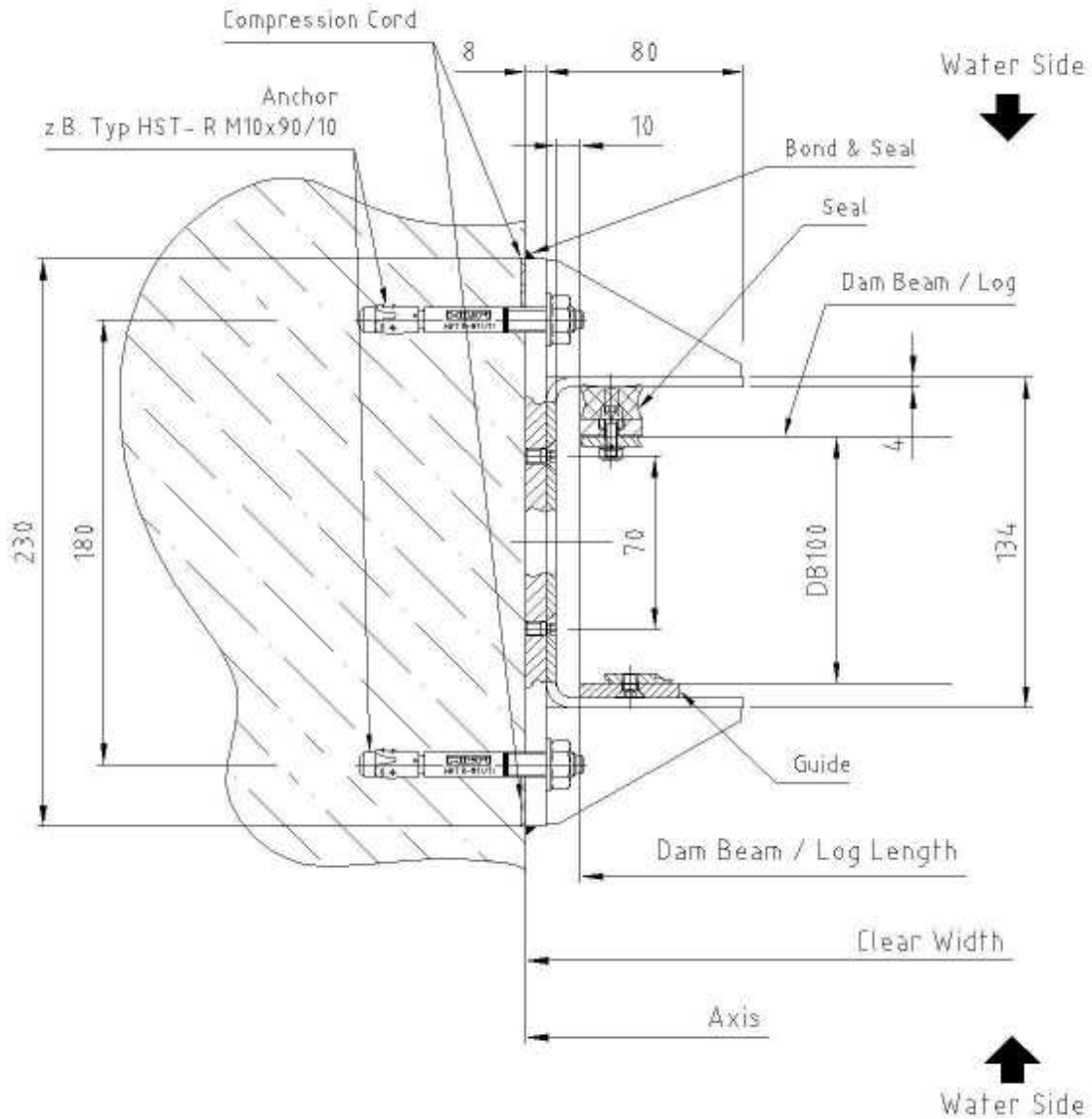
4.4.3.3 Frame 100 T5.3 FM



Toleranzangaben	Dimensioning		
Frame Assembly - In Axis + / - 3mm - Vertically + / - 3mm - Total max. 6mm	Max. Height 8,0m	Max. clear Width 6,0m	Max. Area 4,5m ²

Description	Material Frame	Material Seal	Material Guide Rail
UV2A100-FM-T5.3	SS 304	EPDM	POM black
UV4A100-FM-T5.3	SS 316	EPDM	POM black
UV2A100-FMPW-T5.3	SS 304	Silicone	POM nature
UV4A100-FMPW-T5.3	SS 316	Silicone	POM nature

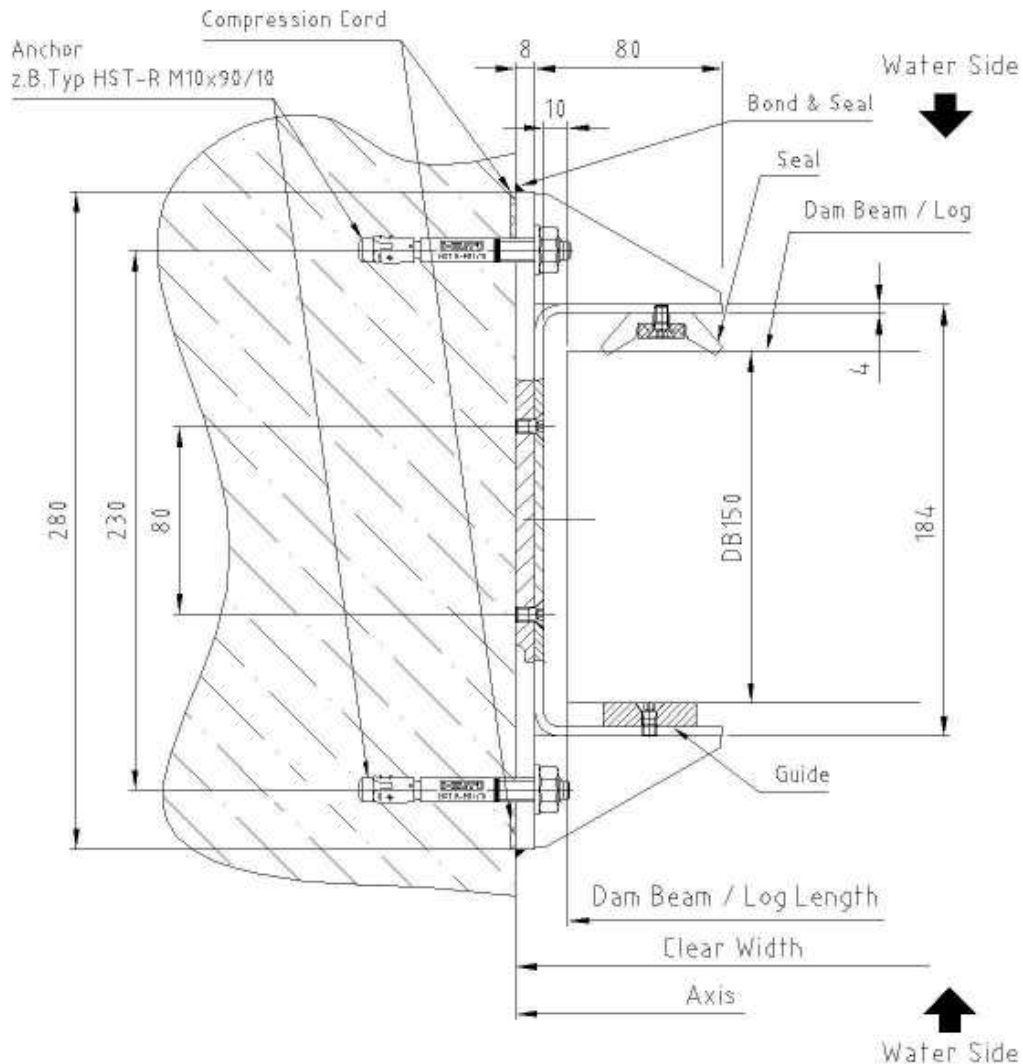
4.4.3.4 Frame 100 T5.3 LM



Mounting Tolerance:	Dimensioning		
Frame Assembly - In Axis + / - 3mm - Vertically + / - 3mm - Total max. 6mm	Max. Height 8,0m	Max. clear Width 6,0m	Max. Area 4,5m ²

Description	Material Frame	Material Seal	Material Guide Rail
UV2A100-LM-T5.3	SS 304	EPDM	POM black
UV4A100-LM-T5.3	SS 316	EPDM	POM black

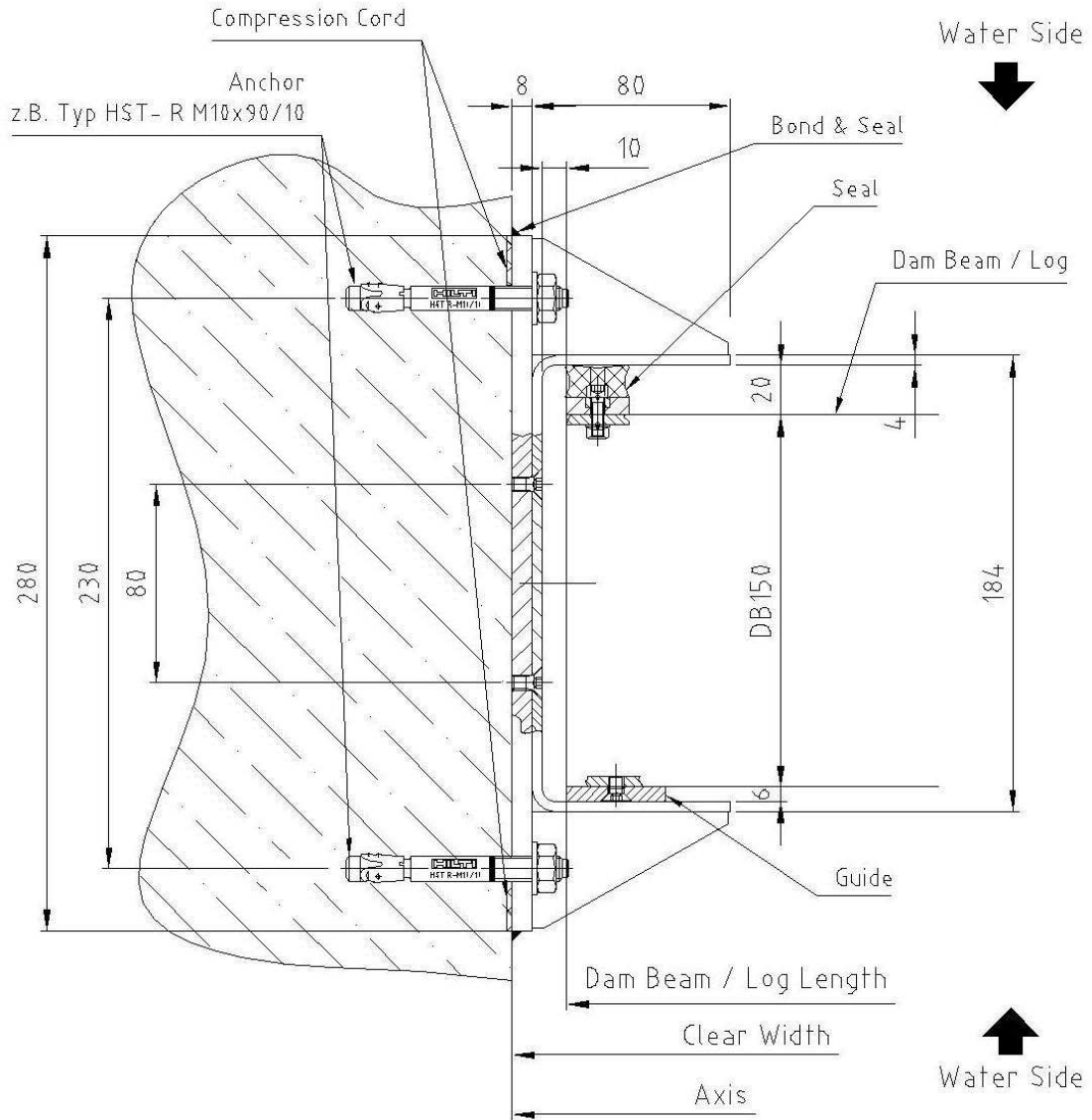
4.4.3.5 Frame 150 T5.3 FM



Mounting Tolerance:	Dimensioning		
Frame Assembly - In Axis + / - 3mm - Vertically + / - 3mm - Total max. 6mm	Max. Height 8,0m	Max. clear Width 6,0m	Max. Area 4,5m ²

Description	Material Frame	Material Seal	Material Guide Rail
UV2A150-FM-T5.3	SS 304	EPDM	POM black
UV4A150-FM-T5.3	SS 316	EPDM	POM black
UV2A150-FMPW-T5.3	SS 304	Silicone	POM nature
UV4A150-FMPW-T5.3	SS 316	Silicone	POM nature

4.4.3.6 Frame 150 T5.3 LM



Mounting Tolerance:	Dimensioning		
Frame Assembly - In Axis + / - 3mm - Vertically + / - 3mm - Total max. 6mm	Max. Height 8,0m	Max. clear Width 6,0m	Max. Area 4,5m ²

Description	Material Frame	Material Seal	Material Guide Rail
UV2A150-LM-T5.3	SS 304	EPDM	POM black
UV4A150-LM-T5.3	SS 316	EPDM	POM black

Contact:

IBS Industriearrrieren und Brandschutztechnik
Planungs- und Vertriebsgesellschaft mbH
Am Gemeindewald 4-6
86672 Thierhaupten
Germany

Tel: +49 8271 – 8176-0

Fax: +49 8271 – 8176-76

www.ibs-technik.de

info@ibs-technik.de