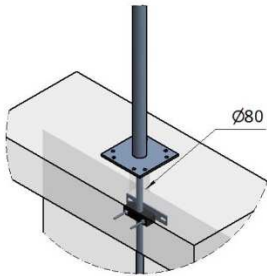


RPS – FX M4:

Flex Penstock 4-sided sealed, open with rising Spindle

- *) Option Pedestal Floor Mounted
 Required Hole for Spindle in Structure
 Ø 80mm



Invert Frame:

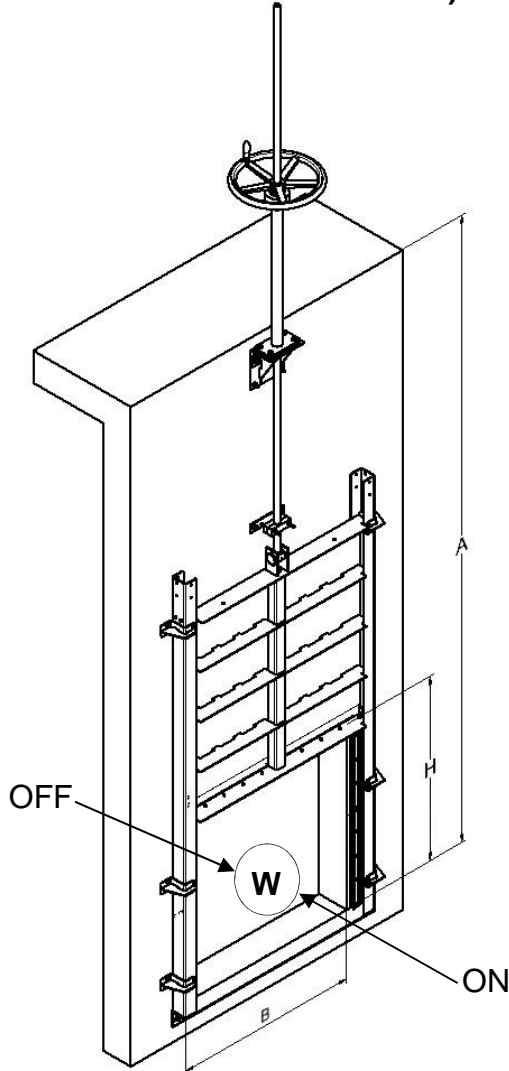
- Wall mounted (W)
 In Rebate (R)
 Floor mounted (F)

W: Water Head

- ON-Seating
 ON- and OFF-Seating

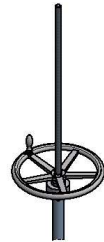
Caution: increased total width for OFF-Seating Water Heads

Pedestal Wall Mounted*)

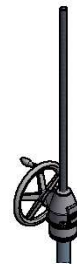


General Sketch (with wall mounted (W) invert frame)

Operation Type

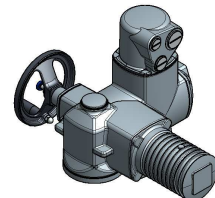


- Handwheel



- Handwheel with Bevel Gearbox

- Electric Actuator**



- without control (Auma-Norm)
 with control AM (AUMATIC)
 with control AC (AUMA MATIC)

Design Water Head in (mm) WS: _____

Operating Water Head in (mm) WS: _____

Material: SS304 SS 316

	Dimensions:
Customer:	A: _____(mm)
Date:	BxH: _____(mm)
	Quantity: _____