

## RSG – FX M2:

Flex Channel Penstock 3-sided sealed, self-contained with rising Spindle

### Operation on Yoke

### Operation type

Side Frame:

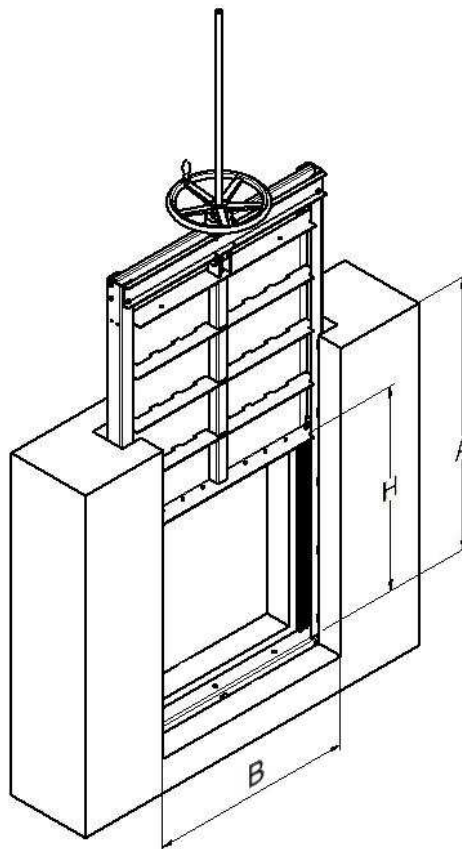
- Wall mounted WM-ON
- Wall mounted WM-OFF
- In Rebate (CR)
- Channel Side Wall mounted (CS)

Invert Frame:

- Wall mounted (W)
- In Rebate (R)
- Floor mounted (F)

Design Water Head in (mm) WS: \_\_\_\_\_

Operating Water Head in (mm) WS: \_\_\_\_\_

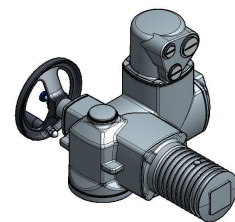


Handwheel



Handwheel with Bevel Gearbox

Electric Actuator



### General Sketch (Side and Invert Frame in Rebate)

Material:

- SS304
- SS316

- without control (Auma-Norm)
- with control AM (AUMATIC)
- with control AC (AUMA MATIC)

	<b>Dimensions:</b>
Customer:	A: _____(mm)
Date:	BxH: _____(mm)
	Quantity: _____