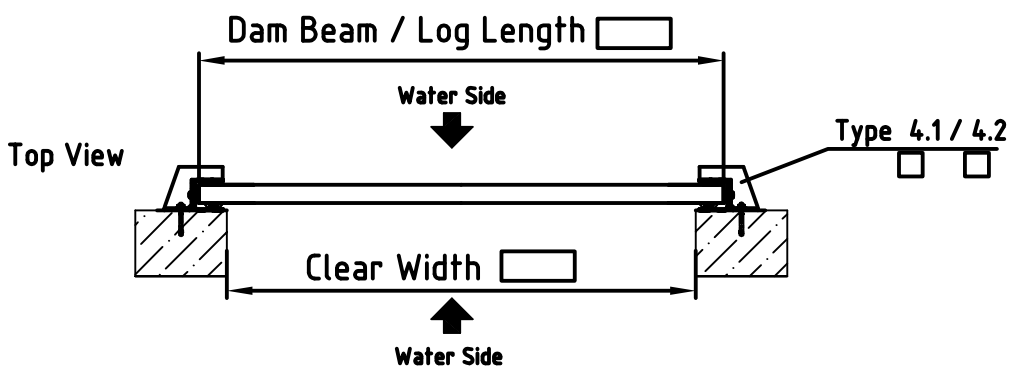
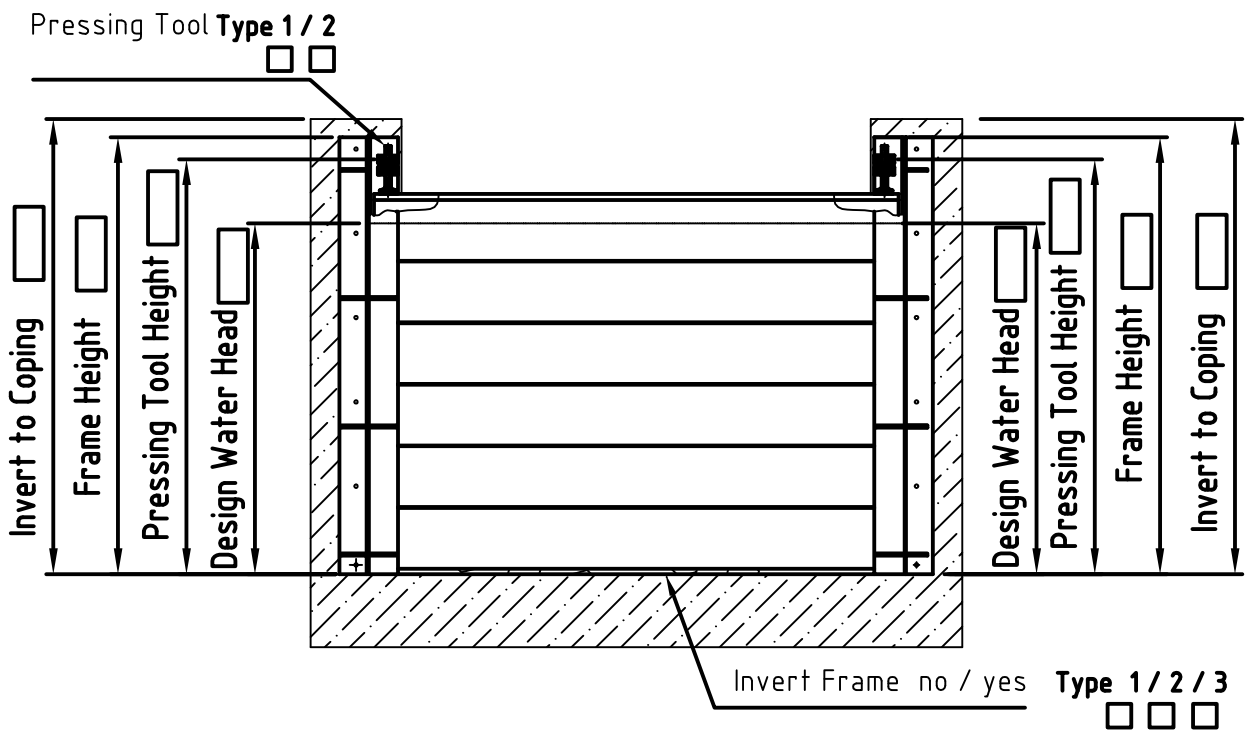


Dam Beam / Log Type
 QTY: Pieces:



Materials

Material	Dam Beam / Log	Frame	Pressing Tool	Material	Seals
V2A / 1.4301 / SS304	<input type="checkbox"/>	<input type="checkbox"/>	<input type="checkbox"/>	EPDM	<input type="checkbox"/>
V4A / 1.4404 / SS316L	<input type="checkbox"/>	<input type="checkbox"/>	<input type="checkbox"/>	Elastosil	<input type="checkbox"/>
Aluminium / EN AW 6063 T66	<input type="checkbox"/>				

Mounting Tolerances :

Frame Assembly
 - in Axis +/- 3mm
 - vertically +/- 3mm
 - Total max. 6mm

Unevenness Invert Section
 - max. 15mm

IBS
 IBS Technics GmbH
 Gemeindefeld 6
 D-86672 Thierhaupten

Tel: +49-8271/8176-0 Fax:-76
 E-Mail: water@ibs-technics.de

Principle Drawing III DBV

P.Nr./ Pos.:

Engineer :

Approval Date:

Signature: