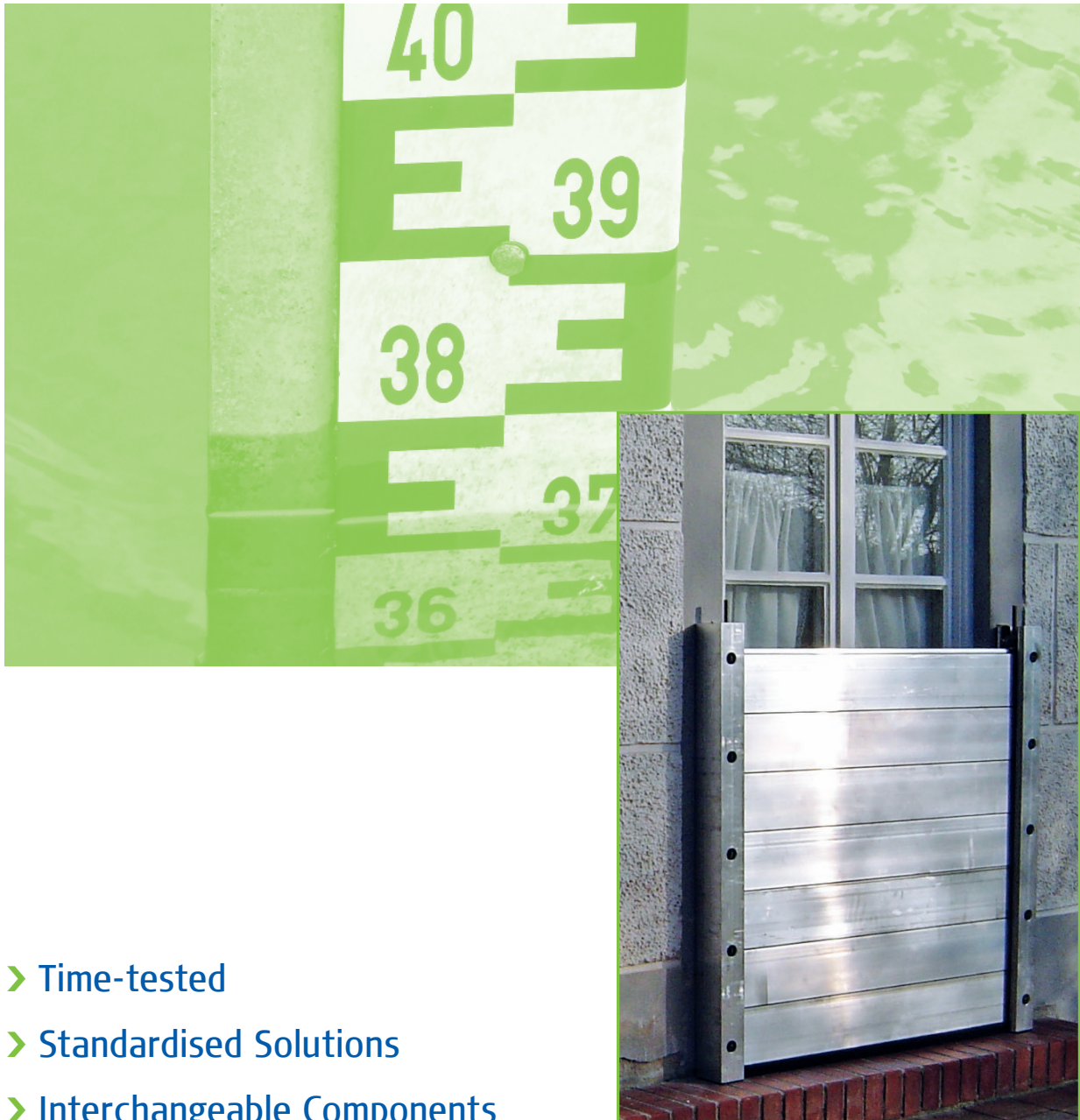


# IBS Flood Protection Object Protection

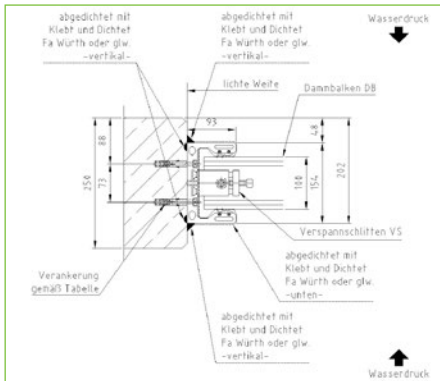


- › Time-tested
- › Standardised Solutions
- › Interchangeable Components
- › Economic Serial Production
- › Complete Portfolio of Solutions



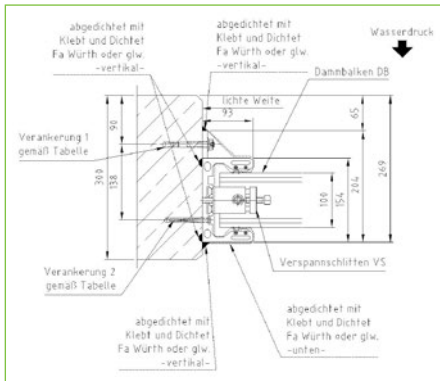


# Mounting Situations

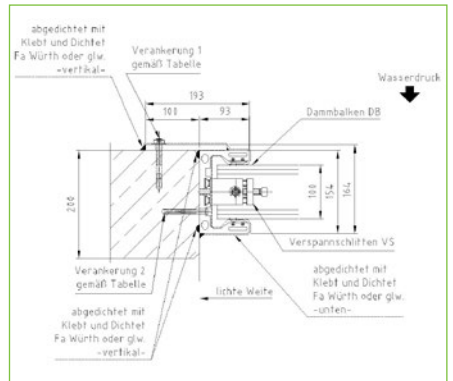


Side wall mounted

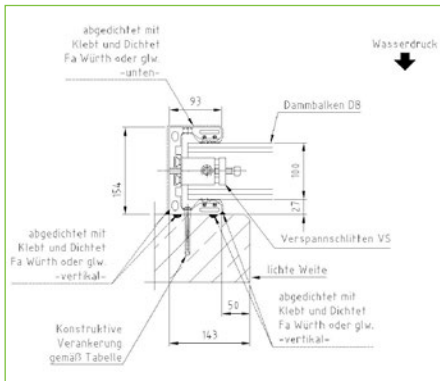
Type 08



Type 09

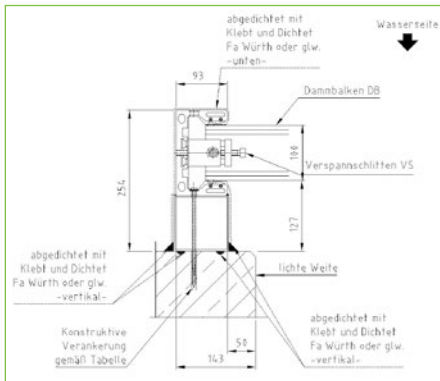


Type 13

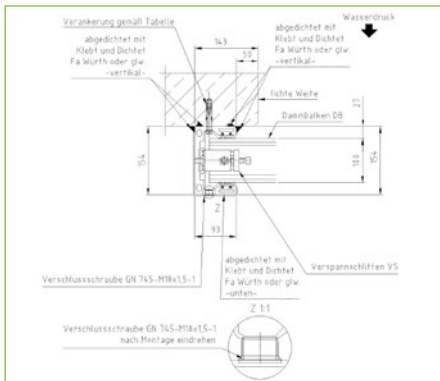


Wall-mounted on-seating

Type 16

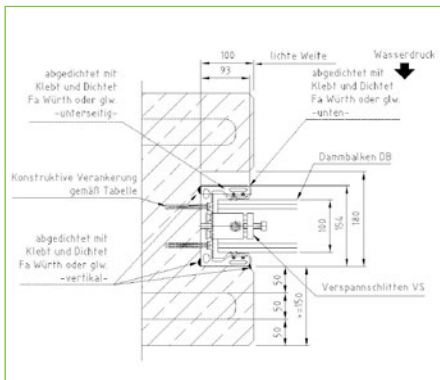


Type 24



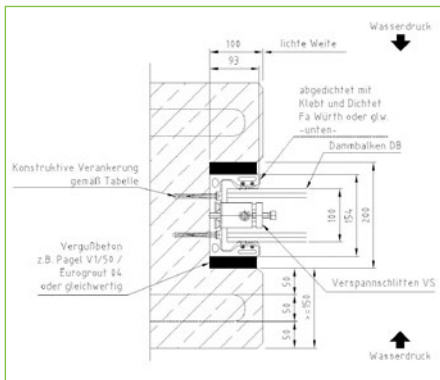
Wall-mounted off-seating

Type 05

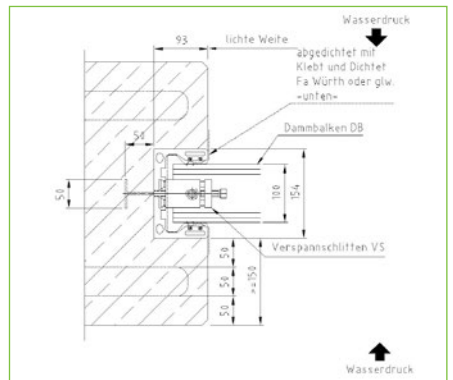


In rebate

Type 01



Type 01 grouted



Type 06



## Hatches & Plates

### IBS Flood Hatches

Typen: FHZS L/R/O/U

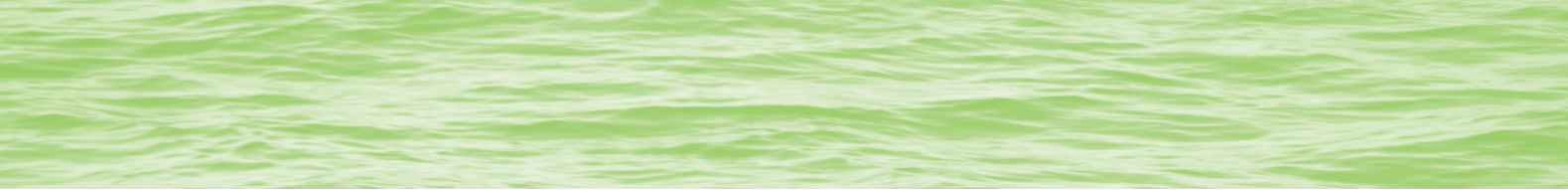
- Minimum size: 500 mm Wide x 500 mm High
- Maximum size: 1,200 mm Wide x 1,200 mm High
- Design Water Head: Max. 2,000 mm (On or Off-Seating)
- Opening Angle: 0° - 180°
- Frame Material: Mild Steel S235, primed
- Leaf Material: Mild Steel S235, primed
- Hinge Material: Mild Steel S235, primed
- Hinge Pins Material: Stainless Steel 1.4301 (SS304)
- Seal Material: EPDM

### IBS Flood Plates

Types: FPD T1/T2

- Minimum size: 500 mm Wide x 500 mm High
- Maximum size: 1,000 mm Wide x 1,000 mm High
- Design Water Head: Max. 2,000 mm (On-Seating only)
- Plate Material: Aluminium EN AW 5754
- Seal Material: PVC
- Bolts: M12x40 - 8.8, galvanized





## IBS GROUP

### Our Production Facilities

- IBS Technics GmbH Thierhaupten
- IBS Technics s.r.o. Rotava
- IBS Engineered Products Ltd. Barnsley

### About Us

- International Engineering Company
- 150 employees
- 11,000 m<sup>2</sup> manufacturing facilities
- global leader for mobile flood water protection
- more than 4000 successfully completed projects

### Our Performance

- Global distribution
- Development, design and construction
- State of the art production
- Modern machinery
- International service structure

### Our Markets

- Europe
- Middle East
- North America
- Australia
- Asia

**IBS GROUP**  
 WWW.IBS-TECHNICS.DE

**IBS Technics GmbH**

Gemeindewald 6 · 86672 Thierhaupten · Germany  
 Tel.: + 49 (0) 8271 8176-0 · Fax: + 49 (0) 8271 8176-76  
 Mail: info@ibs-technics.de · Web: www.ibs-technics.de

**IBS GROUP**  
 WWW.IBSENGINEEREDPRODUCTS.CO.UK

Unit 7 · Longfields Court · Middlewoods Way  
 Wharnccliffe Business Park · Carlton, Barnsley · S71 3GN  
 Phone: +44 1226 6300-15 · Fax: +44 1226 6300-14  
 info@ibsengeeredproducts.com · www.ibsengeeredproducts.co.uk