

Colour: RAL Nr.: \_\_\_\_\_

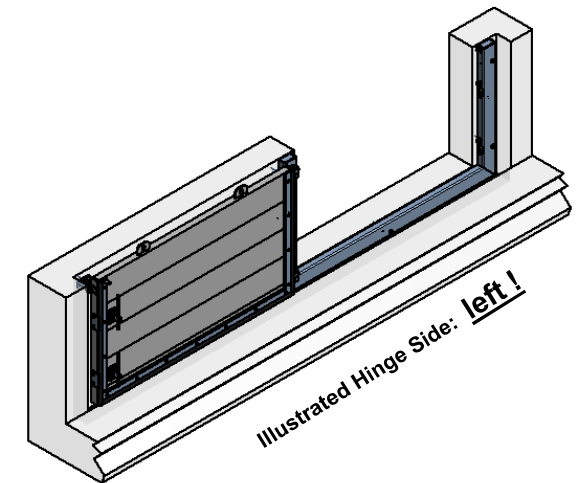
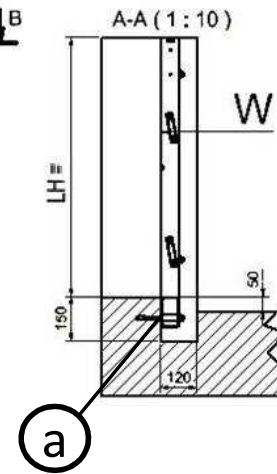
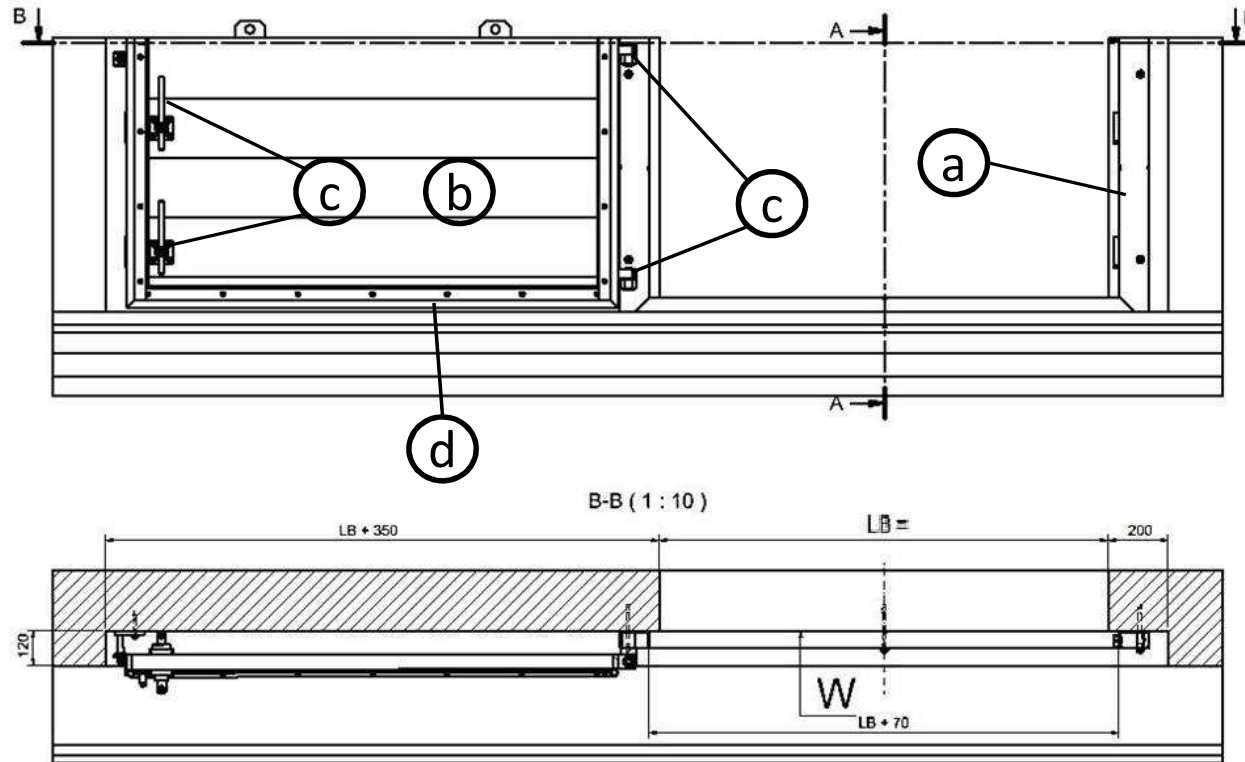
Frame: **V2A**      **V4A**



Anchorage: x HST-R M10x160/80	
<input type="checkbox"/> Yes	<input type="checkbox"/> No

Hinge Side:

left     right



W = Design Water Head = Gate Height (LH)

Material:

- a) Frame: V2A / V4A – Stainless Steel Grade SS 304 / SS 316L
- b) Door: Aluminium – powder coated RAL Nr. to be specified
- c) Fittings: V2A / V4A – Stainless Steel Grade SS 304 / SS 316L
- d) Seal: EPDM

# IBS

IBS GmbH  
 Gemeindewald 4-6  
 D-86672 Thierhaupten  
 Tel: +49-8271/8176-0  
 Fax: +49-8271/8176-76  
 Email: info@ibs-technik.de

Project Number / Item.:

Approval:

Designation:

**IBS Flood Door**  
**FGR-S-L-50**

(Date, Signature)

Colour: RAL Nr.: \_\_\_\_\_

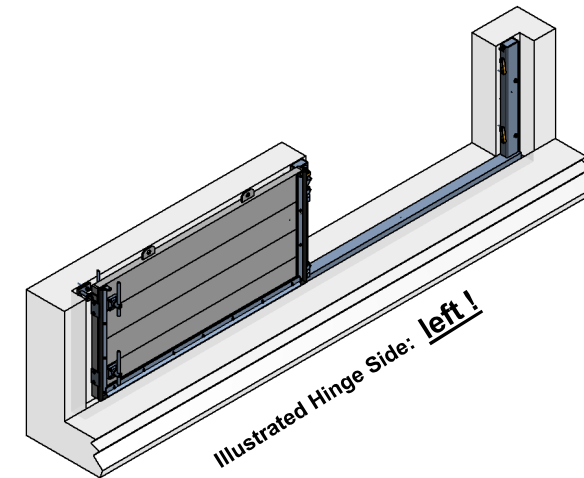
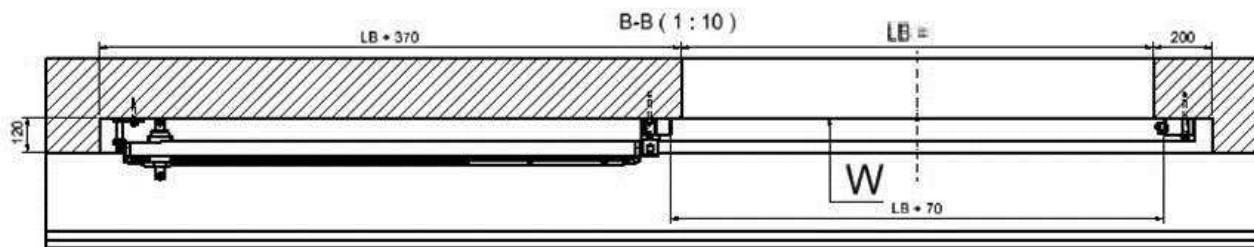
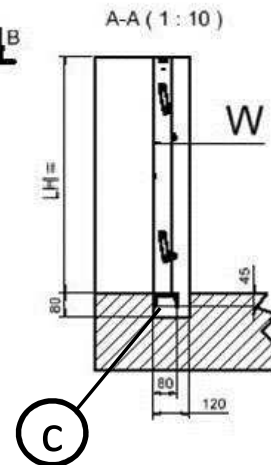
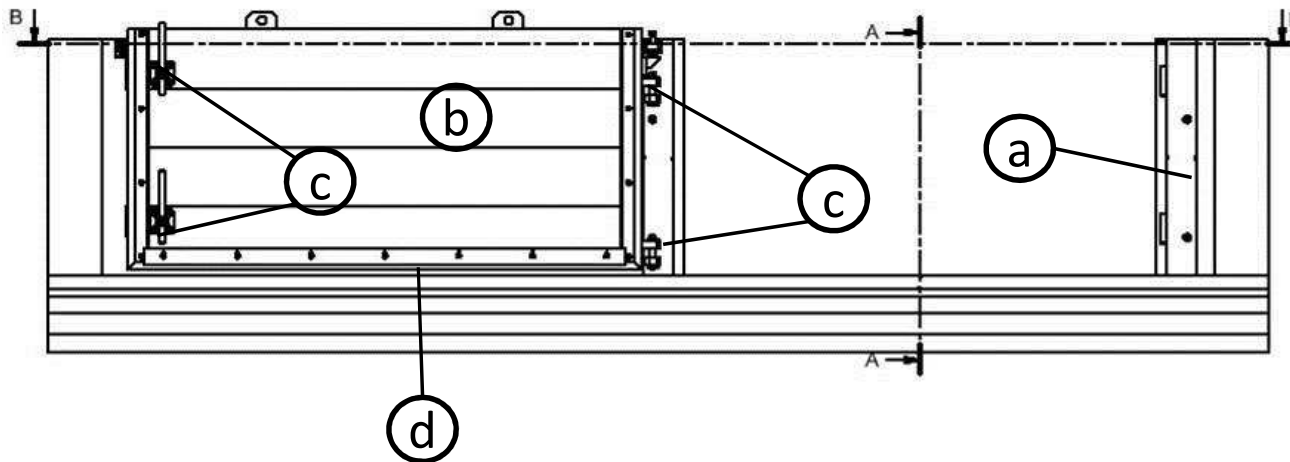
Frame: **V2A**      **V4A**



Anchorage: x HST-R M10x160/80	
<input type="checkbox"/> Yes	<input type="checkbox"/> No

Hinge Side:

left     right



W = Design Water Head = Gate Height (LH)

Material:

- a) Frame: V2A / V4A – Stainless Steel Grade SS 304 / SS 316L
- b) Door: Aluminium – powder coated RAL Nr. to be specified
- c) Fittings / Invert Frame: V2A / V4A – Stainless Steel Grade SS 304 / SS 316L
- d) Seal: EPDM

# IBS

IBS GmbH  
 Gemeindewald 4-6  
 D-86672 Thierhaupten  
 Tel: +49-8271/8176-0  
 Fax: +49-8271/8176-76  
 Email: info@ibs-technik.de

Project Number / Item.:

Approval:

Designation:

**IBS Flood Door**  
**FGR-E-L-50**

(Date, Signature)

Colour: RAL Nr.: \_\_\_\_\_

Frame: V2A      V4A

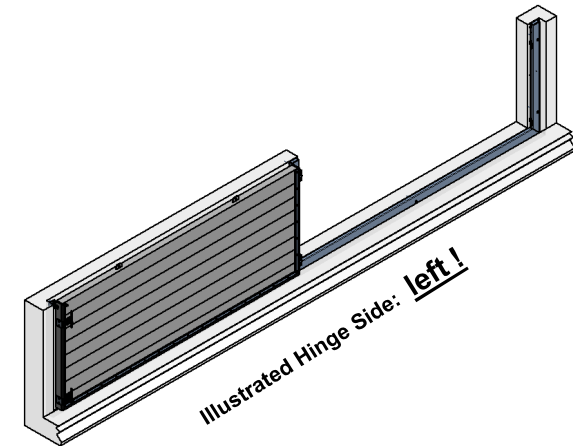
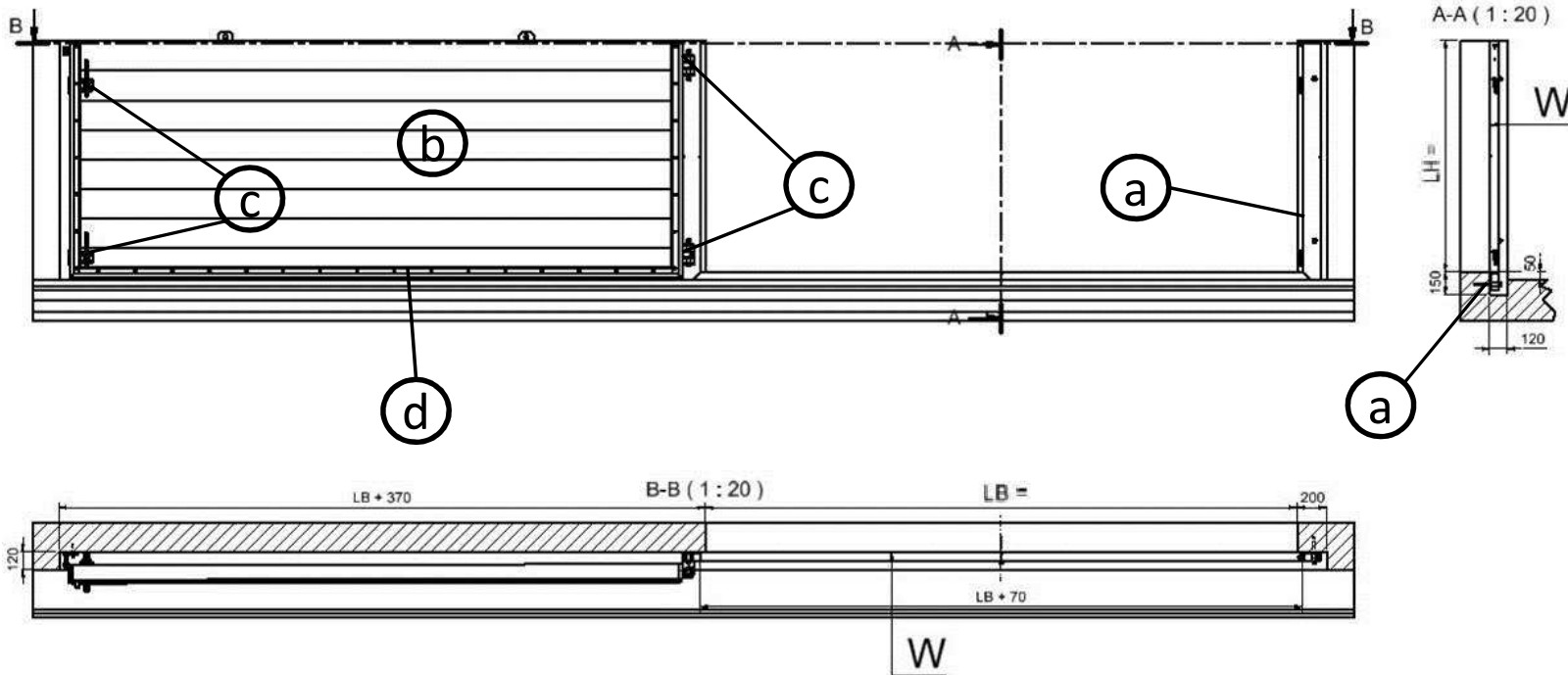


Anchorage:  
x HST-R M12x185/90

Yes     No

Hinge Side:

left     right



W = Design Water Head = Gate Height (LH)

Material:

- a) Frame: V2A / V4A – Stainless Steel Grade SS 304 / SS 316L
- b) Door: Aluminium – powder coated RAL Nr. to be specified
- c) Fittings: V2A / V4A – Stainless Steel Grade SS 304 / SS 316L
- d) Seal: EPDM

# IBS

IBS GmbH  
Gemeindewald 4-6  
D-86672 Thierhaupten  
Tel: +49-8271/8176-0  
Fax: +49-8271/8176-76  
Email: info@ibs-technik.de

Project Number / Item.:

Approval:

Designation:

**IBS Flood Door**  
**FGR-S-L-100**

(Date, Signature)

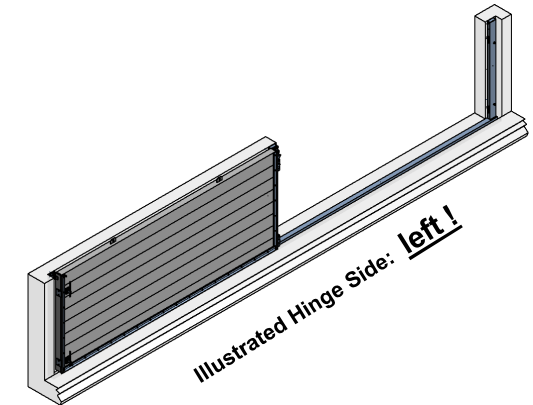
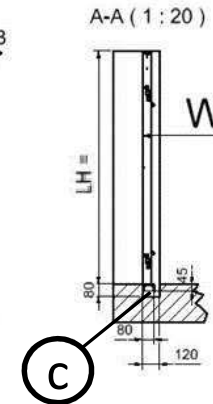
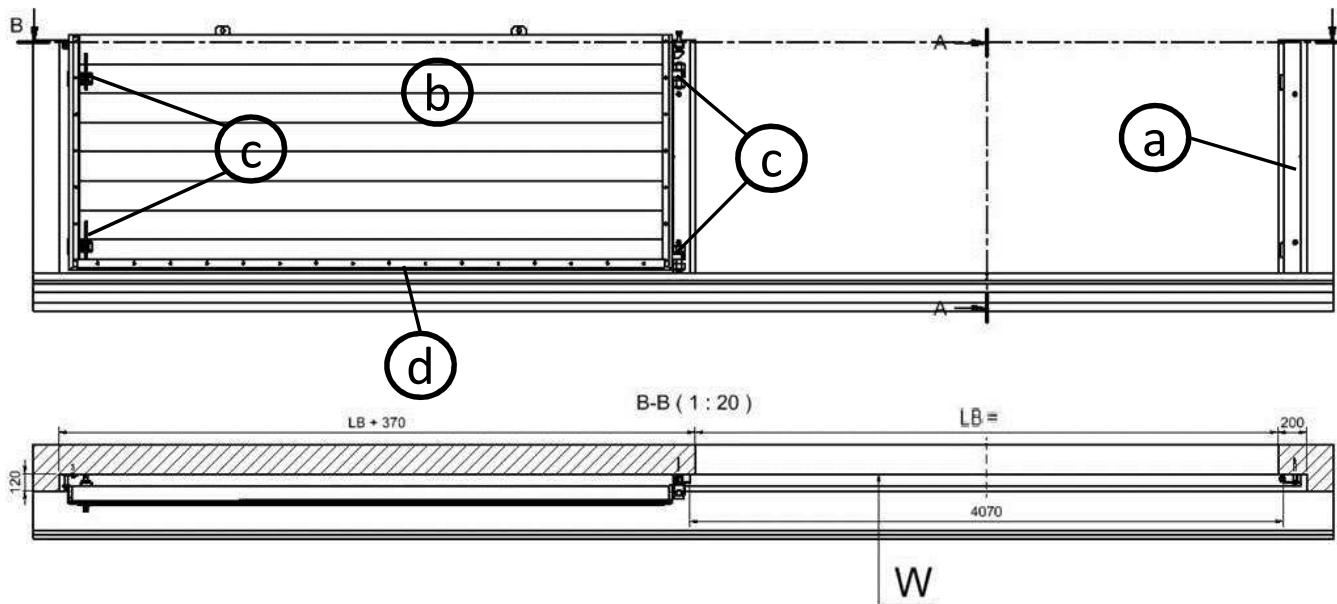
Colour: RAL Nr.: \_\_\_\_\_

Frame: V2A                      V4A



Anchorage: x HST-R M12x185/90	
<input type="checkbox"/> Yes	<input type="checkbox"/> No

Hinge Side:	
<input type="checkbox"/> left	<input type="checkbox"/> right



W = Design Water Head = Gate Height (LH)

Material:

- a) Frame: V2A / V4A – Stainless Steel Grade SS 304 / SS 316L
- b) Door: Aluminium – powder coated RAL Nr. to be specified
- c) Fittings / Invert Frame: V2A / V4A – Stainless Steel Grade SS 304 / SS 316L
- d) Seal: EPDM

# IBS

IBS GmbH  
 Gemeindewald 4-6  
 D-86672 Thierhaupten  
 Tel: +49-8271/8176-0  
 Fax: +49-8271/8176-76  
 Email: info@ibs-technik.de

Project Number / Item.:

Approval:

Designation:

IBS Flood Door  
 FGR-E-L-100

(Date, Signature)

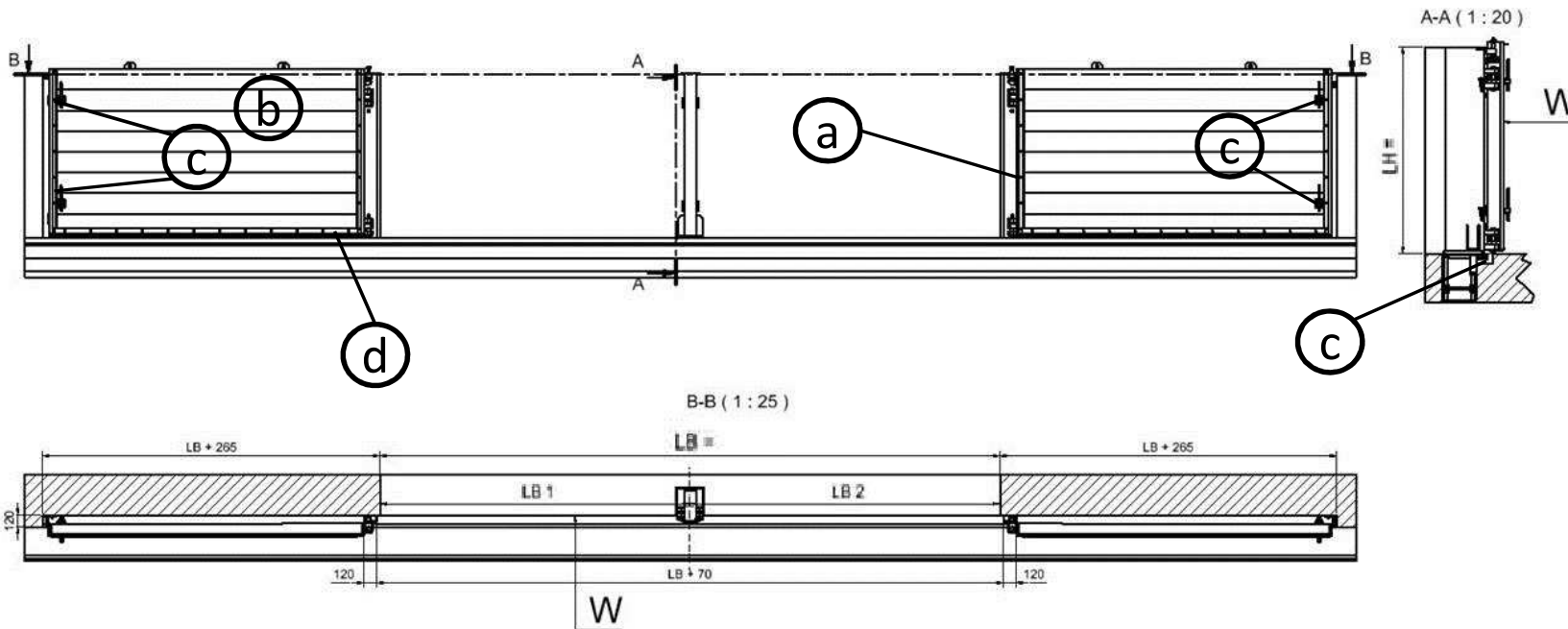
Colour: RAL Nr.: \_\_\_\_\_

Frame: **V2A**      **V4A**



Anchorage:  
x HST-R M12x185/90

Yes     No



W = Design Water Head = Gate Height (LH)

Material:

- a) Frame: V2A / V4A – Stainless Steel Grade SS 304 / SS 316L
- b) Door: Aluminium – powder coated RAL Nr. to be specified
- c) Fittings / Invert Frame: V2A / V4A – Stainless Steel Grade SS 304 / SS 316L
- d) Seal: EPDM

# IBS

IBS GmbH  
Gemeindewald 4-6  
D-86672 Thierhaupten  
Tel: +49-8271/8176-0  
Fax: +49-8271/8176-76  
Email: info@ibs-technik.de

Project Number / Item.:

Approval:

Designation:

**IBS Flood Door**  
**FGR-E-2x100**

(Date, Signature)